

**Specification Status: Released**

**Electrical Rating**

**Voltage: 15V MAX**  
**Current: 100A MAX**

Chip Size: 5 X 7 mm

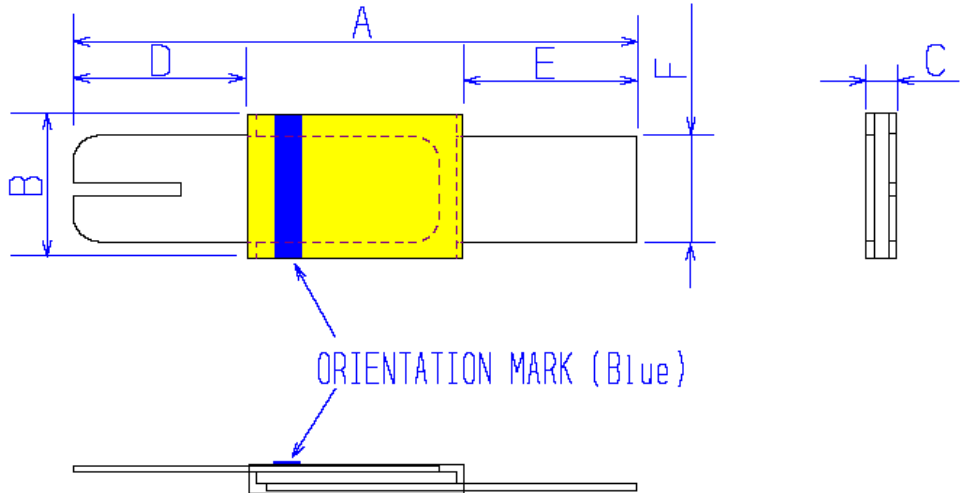
Leads: Ni-plated Stainless steel  
0.15 mm Nominal Thickness

Solder: Lead-free

Tape: Polyester (Yellow)  
8mm nominal width

Marking: (Color: Green)

- Manufacturer's Mark
- XX L07 — Part Identification
- — Lot Identification



**TABLE I. DIMENSIONS:**

	A		B		C		D		E		F	
	MIN	MAX	MIN	MAX	MIN	MAX	MIN	MAX	MIN	MAX	MIN	MAX
mm:	19.9	22.1	4.9	5.2	0.7	1.2	5.5	7.5	5.5	7.5	3.9	4.1
in*:	(0.783)	(0.870)	(0.192)	(0.205)	(0.027)	(0.048)	(0.216)	(0.296)	(0.216)	(0.296)	(0.153)	(0.162)

\*Rounded off approximation

**TABLE II. PERFORMANCE RATINGS: As measured in Mueller Kelvin Clips model BU-75K.**

I HOLD	CURRENT TRIP LIMITS								TIME TO TRIP		REFERENCE RESISTANCE		ONE-HOUR POST-TRIP RESISTANCE		TRIPPED-STATE POWER DISSIPATION		
	AMPS 20°C HOLD		AMPS AT 0°C TRIP		AMPS AT 20°C HOLD		AMPS AT 60°C TRIP		AMPS AT 80°C HOLD		SECONDS AT 20°C, 3.5 A TYP		OHMS AT 20°C MIN		OHMS AT 20°C MAX		WATTS AT 20°C, 15V TYP
0.7	0.85	1.80	0.70	1.45	0.35	0.75	0.22	0.45	2	5	0.10	0.20	0.23	0.34	0.7	1.0	

Agency Recognitions:  
Reference Documents:  
Precedence:  
Effectivity:  
CAUTION:

UL, CSA, TUV  
PS300  
This specification takes precedence over documents referenced herein.  
Reference documents shall be the issue in effect on the date of invitation for bid.  
Operation beyond the rated voltage or current may result in rupture, electrical arcing or flame.

**Materials Information:**

**ROHS Compliant**

Directive 2002/95/EC  
Compliant

**ELV Compliant**

Directive 2000/53/EC  
Compliant

**Pb-Free**

