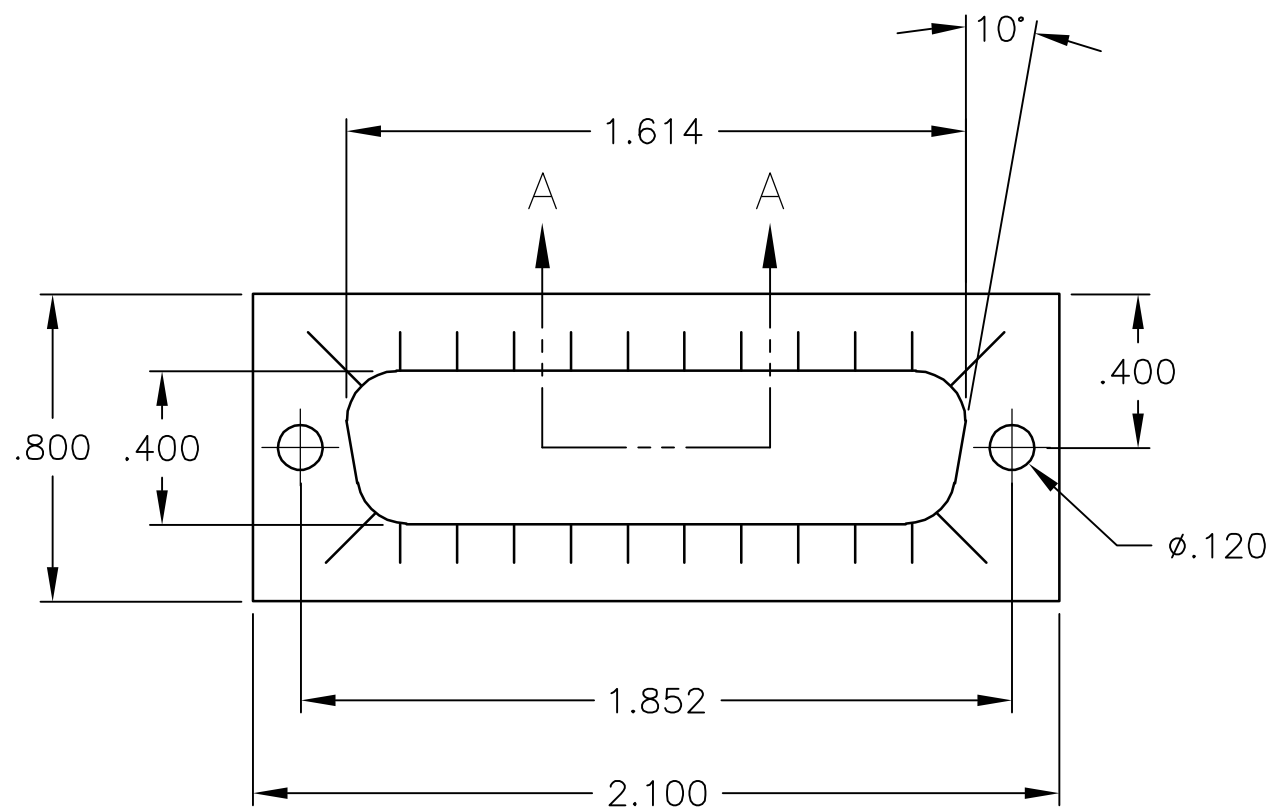
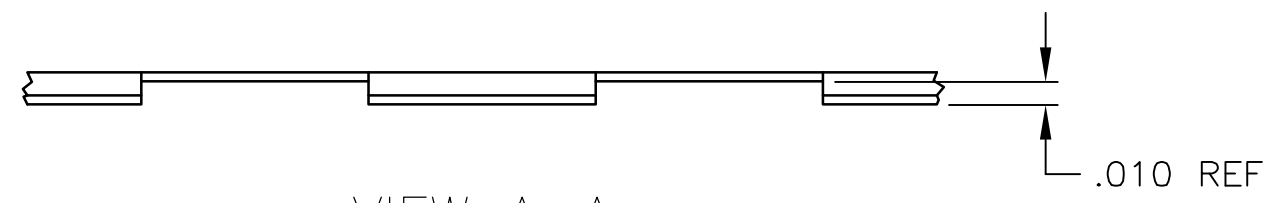


THIS DRAWING IS UNPUBLISHED. RELEASED FOR PUBLICATION  
 © COPYRIGHT BY TYCO ELECTRONICS CORPORATION. ALL RIGHTS RESERVED.

LOC	DIST	REVISIONS					
GP	00	P	LTR	DESCRIPTION	DATE	DWN	APVD
			B1	REVISED PER ECO-06-020813	30OCT06	JDP	CWR



- 1 BRIGHT TIN-LEAD OVER NICKEL.
- 2 TIN OVER NICKEL.



VIEW A-A  
SCALE 8:1

OBSOLETE	2	745776-4
	1	745776-3
	FINISH	PART NUMBER

THIS DRAWING IS A CONTROLLED DOCUMENT.		DWN J.GERACE 20FEB04	Tyco Electronics Corporation Harrisburg, Pa 17105-3608														
DIMENSIONS: INCHES		CHK S.SHUEY 20FEB04															
TOLERANCES UNLESS OTHERWISE SPECIFIED:		APVD M.WALMSLEY 20FEB04	NAME RFI GASKET, SIZE 3, AMPLIMITE														
<table border="0"> <tr><td>0 PLC</td><td>± -</td></tr> <tr><td>1 PLC</td><td>± -</td></tr> <tr><td>2 PLC</td><td>± -</td></tr> <tr><td>3 PLC</td><td>± .010</td></tr> <tr><td>4 PLC</td><td>± -</td></tr> <tr><td>ANGLES</td><td>± 2'</td></tr> </table>		0 PLC	± -	1 PLC	± -	2 PLC	± -	3 PLC	± .010	4 PLC	± -	ANGLES	± 2'	PRODUCT SPEC -	APPLICATION SPEC -		
0 PLC	± -																
1 PLC	± -																
2 PLC	± -																
3 PLC	± .010																
4 PLC	± -																
ANGLES	± 2'																
MATERIAL .006 THICK BRASS	FINISH SEE TABLE	WEIGHT -	SIZE A3	CAGE CODE 00779	DRAWING NO C-745776	RESTRICTED TO -											
CUSTOMER DRAWING			SCALE 2:1	SHEET 1 OF 1	REV B1												