

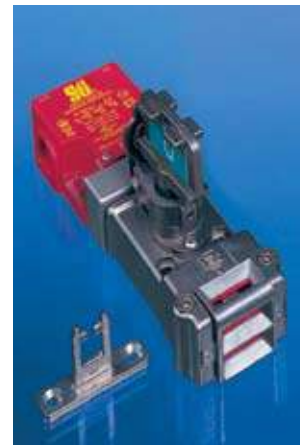
Trapped Single Key with Interlock Switch

The Slamlock with interlock switch combines the features of trapped keys with tongue actuated interlocks including the safety and auxiliary contacts of the interlock switch. There are two operating versions of the Slamlock.

With one version of the Slamlock, the key is trapped to release the actuator. When the actuator is inserted into the interlock (guard closed), the key may be rotated 90° to the free position and removed. When the key is in the free position, the 2 N/C safety contacts are closed and the N/O auxiliary contact is open. With the key removed, the actuator cannot be removed thus locking the closed guard door. The key must be re-inserted and rotated 90° in order to unlock the guard. This version of the Slamlock is used to interlock hatches, guards and doors where full body access is not required.

With the other version of this Slamlock, the key is trapped when the actuator is trapped. In order to remove the actuator (open the guard), the key must be rotated 90° to the free position and removed. When the key is in the free position, the 2 N/C safety contacts are open and the N/O auxiliary contact is closed. In applications with full body access, the system should be designed to require removal of the key in the free position in order to operate a second device inside the guarded area.

- Safety interlock combined with trapped key function
- 450 lb. locking force
- Variety of actuator types available
- Direct drive push/pull operation
- 316 stainless steel construction
- Virtually maintenance free
- Weatherproof stainless steel dust cap as standard
- Fitted with tamper resistant screws
- Screws may be applied from the rear for increased tamper resistance

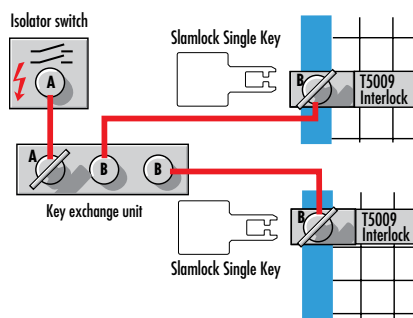


Specifications

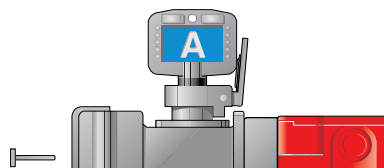
Operating Temperature:	-20 to 80°C (-4 to 176°F)
Mechanical Operations:	>10 ⁵ under normal working conditions
Max. Shear Force to Key:	15.1 kN
Max. Torque to Key:	14 Nm
Max. Holding Force:	2000 N (450 lb.)
Max. Releaseable Load:	100 N (22.5 lb.)
Relative Operating Humidity:	25% to 95%
Weight:	1160 gm (41 oz.)
Material:	316L stainless steel
Mounting:	2 x M5
Code Barrels:	Tested to 100,000 operations
Conforms to Standards:	Relevant clauses EN292, EN1088 & GS ET 19
Approvals:	CE marked for all applicable directives and BG

Specifications are subject to change without notice.

Applications



Operation

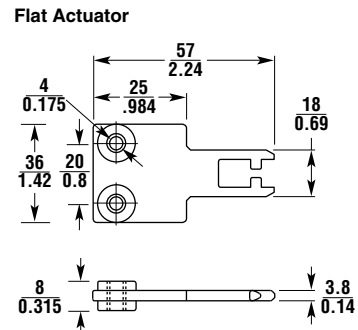
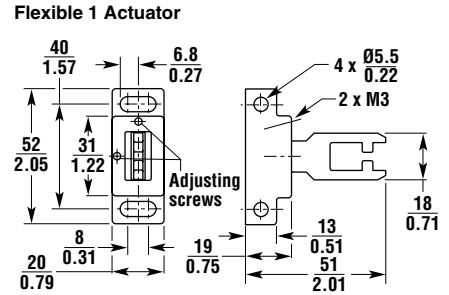
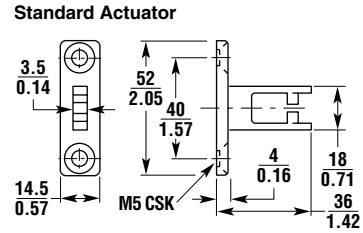
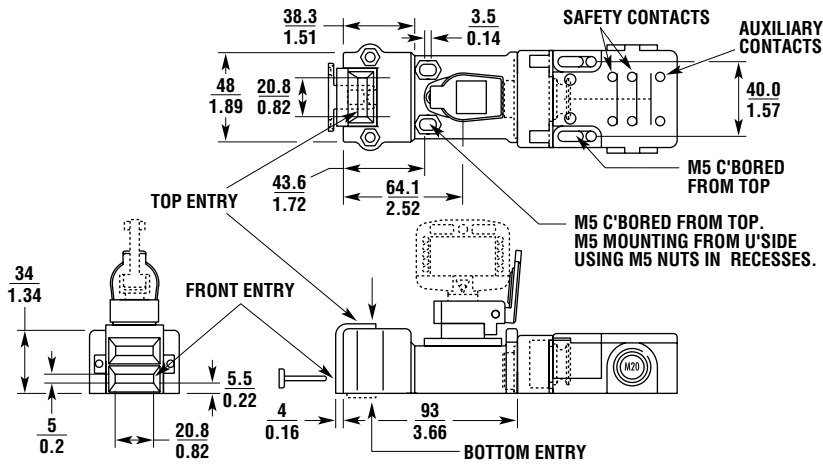



As shown, actuator is out, key is trapped, safety contacts are open, and auxiliary contact is closed.

M

Dimensions

(mm/in.)



 For specifications on the T5009 Interlock Switch, see Section G of this catalog.

Ordering

Slamlock Single Key with T5009 Interlock Switch

2 N/C + 1 N/O contacts, M20/NPT adapter.


Key is trapped to release actuator.


Part No.	Actuator
SSSE10	Standard
SSSE11	Flexible
SSSE12	Flat
SSSE13	Flat with 305 mm chain

Key is trapped when actuator is trapped.

Part No.	Actuator
SSSE20	Standard
SSSE22	Flexible
SSSE23	Flat
SSSE24	Flat with 305 mm chain
44519-0700	Spare standard actuator
44519-0710	Spare flexible actuator
44519-0720	Spare flat actuator

Codes 'A' to 'Z' available excluding the letter 'Q'. To specify coding, add the key code of your choice from the Key Code Table to the part no. from the Ordering Table, i.e., SSSE10(A) is a Slamlock single key interlock with primary 'A' key. **Key is ordered separately.**

 For coding details and referencing, see page M5.

 To order keys, see Accessories on page M30.

Key Codes

(...) = Primary key / key free

[...] = Secondary key / key trapped

Codes						
A	Aa	Ab	Ac	Ad	Ae	Af
B	Ba	Bb	Bc	Bd	Be	Bf
C	Ca	Cb	Cc	Cd	Ce	Cf
D	Da	Db	Dc	Dd	De	Df
E	Ea	Eb	Ec	Ed	Ee	Ef
F	Fa	Fb	Fc	Fd	Fe	Ff
G	Ga	Gb	Gc	Gd	Ge	Gf
H	Ha	Hb	Hc	Hd	He	Hf
I	Ia	Ib	Ic	Id	Ie	If
J	Ja	Jb	Jc	Jd	Je	Jf
K	Ka	Kb	Kc	Kd	Ke	Kf
L	La	Lb	Lc	Ld	Le	Lf
M	Ma	Mb	Mc	Md	Me	Mf
N	Na	Nb	Nc	Nd	Ne	Nf
O	Oa	Ob	Oc	Od	Oe	Of
P	Pa	Pb	Pc	Pd	Pe	Pf
R	Ra	Rb	Rc	Rd	Re	Rf
S	Sa	Sb	Sc	Sd	Se	Sf
T	Ta	Tb	Tc	Td	Te	Tf
U	Ua	Ub	Uc	Ud	Ue	Uf
V	Va	Vb	Vc	Vd	Ve	Vf
W	Wa	Wb	Wc	Wd	We	Wf
X	Xa	Xb	Xc	Xd	Xe	Xf
Y	Ya	Yb	Yc	Yd	Ye	Yf
Z	Za	Zb	Zc	Zd	Ze	Zf

OMRON AUTOMATION AND SAFETY • THE AMERICAS HEADQUARTERS • Chicago, IL USA • 847.843.7900 • 800.556.6766 • www.omron247.com

OMRON CANADA, INC. • HEAD OFFICE

Toronto, ON, Canada • 416.286.6465 • 866.986.6766 • www.omron247.com

OMRON ELECTRONICS DE MEXICO • HEAD OFFICE

México DF • 52.55.59.01.43.00 • 01-800-226-6766 • mela@omron.com

OMRON ELECTRONICS DE MEXICO • SALES OFFICE

Apodaca, N.L. • 52.81.11.56.99.20 • 01-800-226-6766 • mela@omron.com

OMRON ELETRÔNICA DO BRASIL LTDA • HEAD OFFICE

São Paulo, SP, Brasil • 55.11.2101.6300 • www.omron.com.br

OMRON ARGENTINA • SALES OFFICE

Cono Sur • 54.11.4783.5300

OMRON CHILE • SALES OFFICE

Santiago • 56.9.9917.3920

OTHER OMRON LATIN AMERICA SALES

54.11.4783.5300

OMRON EUROPE B.V. • Wegalaan 67-69, NL-2132 JD, Hoofddorp, The Netherlands. • +31 (0) 23 568 13 00 • www.industrial.omron.eu

Authorized Distributor:

Automation Control Systems

- Machine Automation Controllers (MAC) • Programmable Controllers (PLC)
- Operator interfaces (HMI) • Distributed I/O • Software

Drives & Motion Controls

- Servo & AC Drives • Motion Controllers & Encoders

Temperature & Process Controllers

- Single and Multi-loop Controllers

Sensors & Vision

- Proximity Sensors • Photoelectric Sensors • Fiber-Optic Sensors
- Amplified Photomicrosensors • Measurement Sensors
- Ultrasonic Sensors • Vision Sensors

Industrial Components

- RFID/Code Readers • Relays • Pushbuttons & Indicators
- Limit and Basic Switches • Timers • Counters • Metering Devices
- Power Supplies

Safety

- Laser Scanners • Safety Mats • Edges and Bumpers • Programmable Safety Controllers • Light Curtains • Safety Relays • Safety Interlock Switches