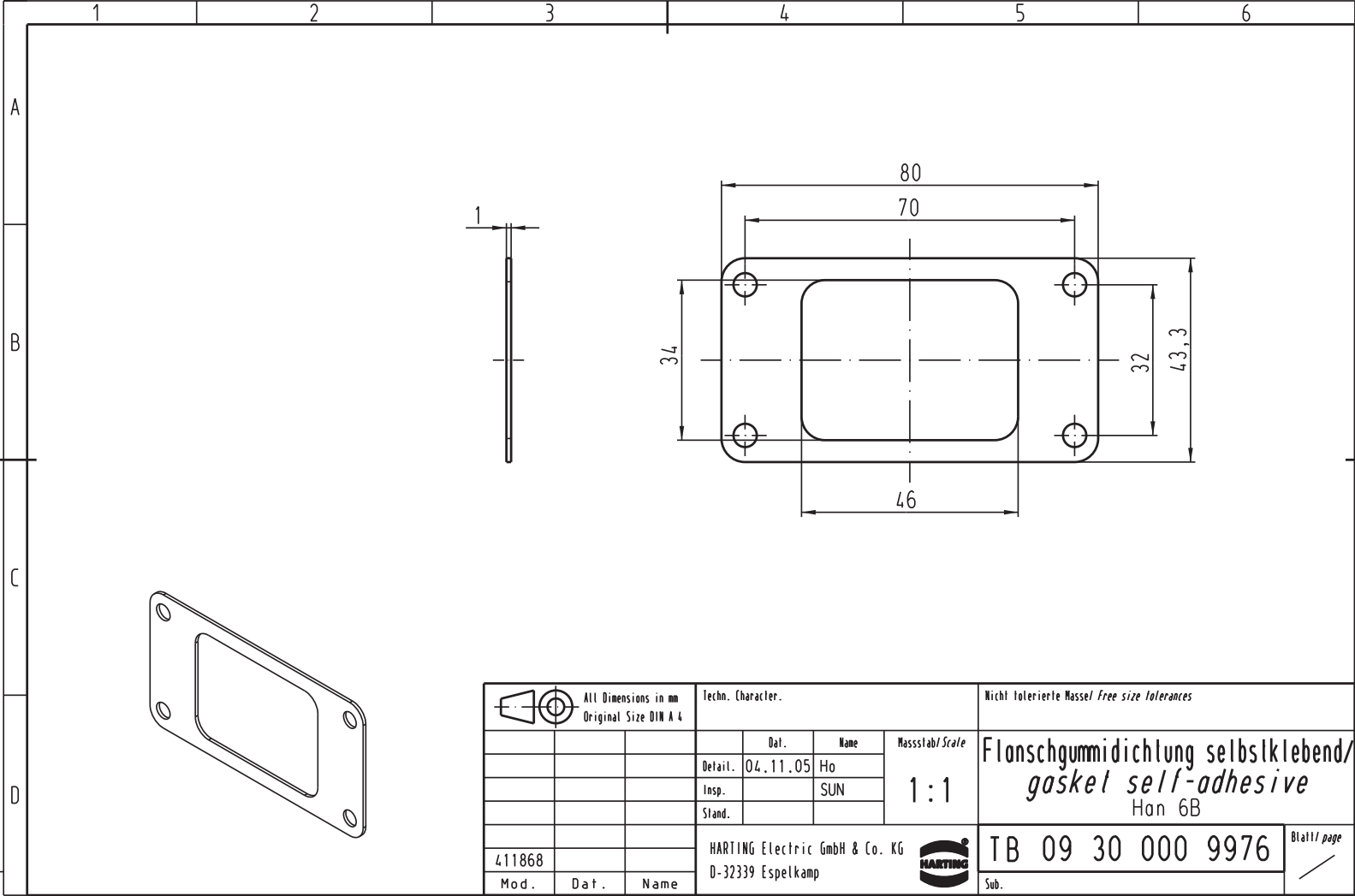


Alle Rechte vorbehalten/ All rights reserved



|   |      |                                |                   |                            |   |             |
|---|------|--------------------------------|-------------------|----------------------------|---|-------------|
| All Dimensions in mm<br>Original Size DIN A 4 |      | Techn. Character.              |                   |                            | Nicht tolerierte Masse/ Free size tolerances                                  |             |
|   |      | Del.                           | Name              | Massestab/Scale<br><br>1:1 | <b>Flanschgummidichtung selbstklebend/<br/>gasket self-adhesive</b><br>Hon 6B |             |
|   |      | Detail.                        | 04.11.05 Ho       |                            |   |             |
|   |      | Insp.                          | SUN               |                            |   |             |
|   |      | Stand.                         |                   |                            |   |             |
| 411868  |      | HARTING Electric GmbH & Co. KG |                   |                            | TB 09 30 000 9976   | Blatt/ page |
| Mod.  | Dat. | Name                           | D-32339 Espelkamp | Sub.                       |   |             |