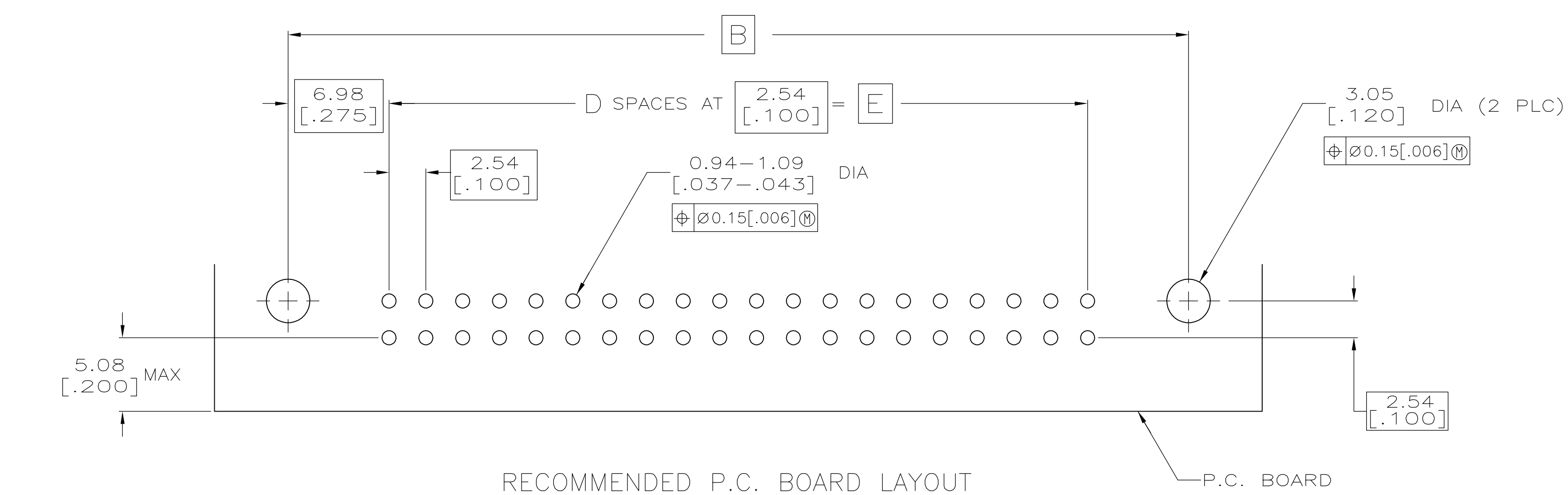
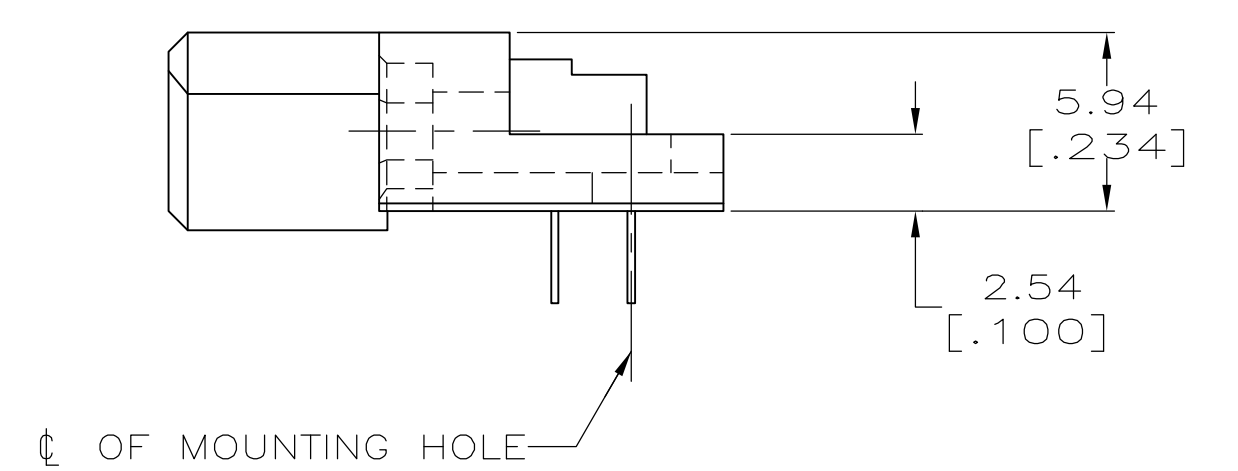
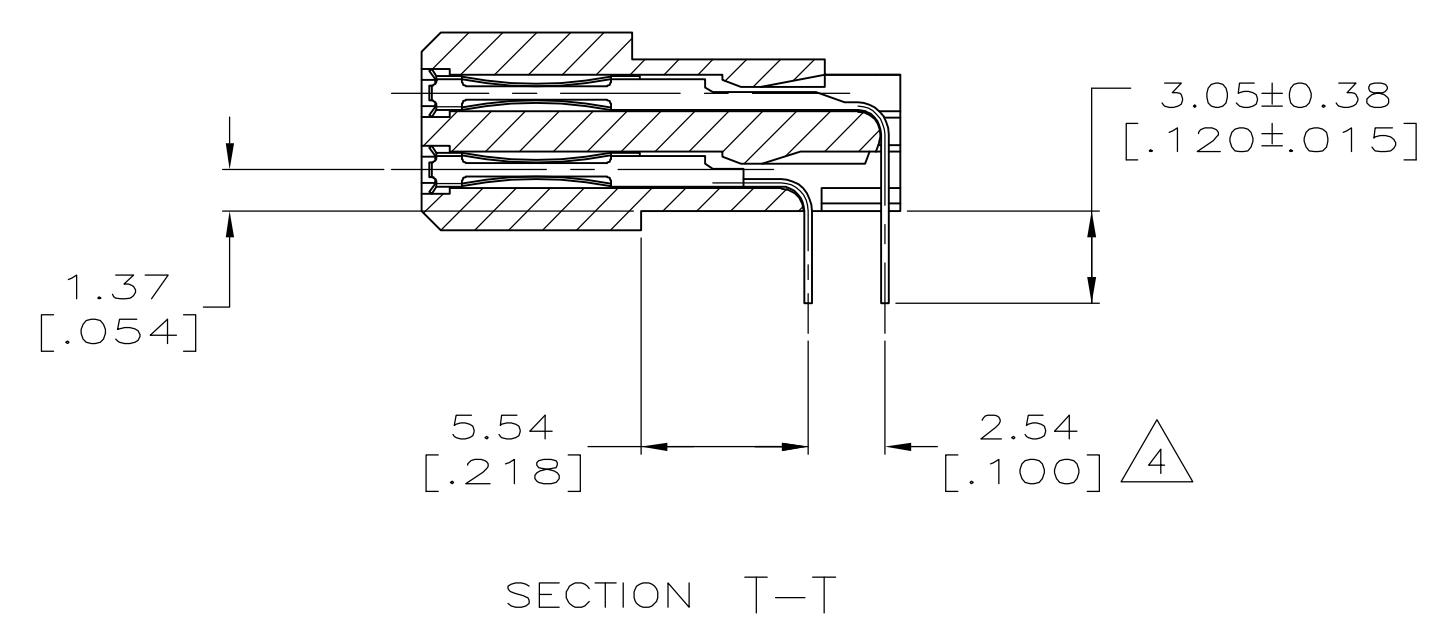
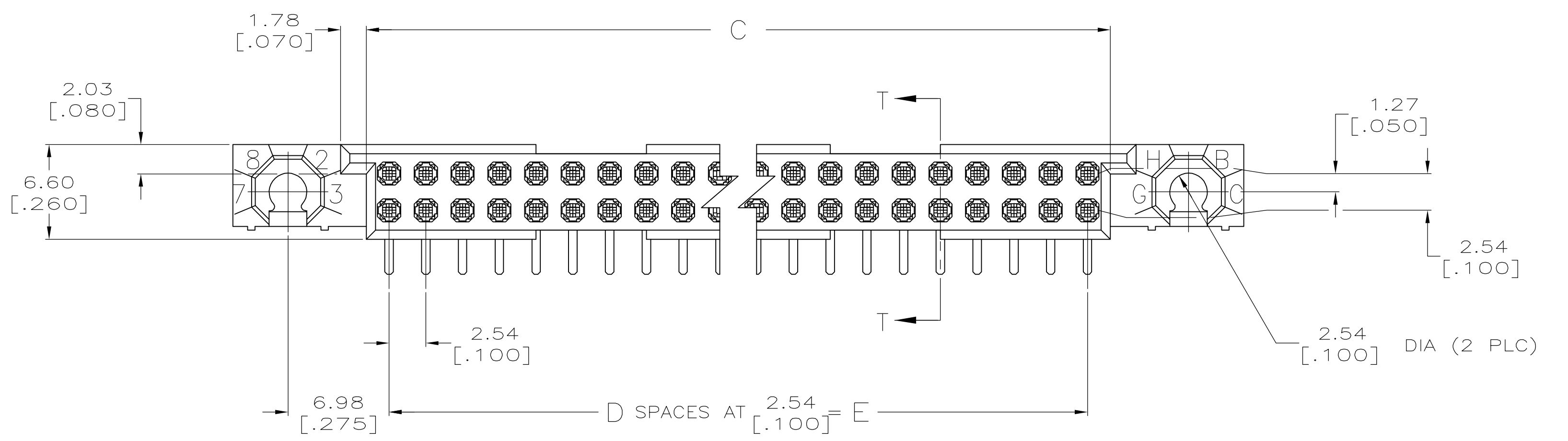


- ① HOUSING MATERIAL: THERMOPLASTIC.
- ② CONTACT MATERIAL: COPPER ALLOY.
- ③ CONTACT FINISH: .00127-.00254 [.000050-.000100] NICKEL UNDERPLATE ALL OVER; .00076 [.000030] GOLD PLATE IN CONTACT AREA, TIN PLATED SOLDER TAILS.
- ④ SOLDER TAILS MUST FIT HOLE PATTERN AS SHOWN ON THE RECOMMENDED P.C. BOARD LAYOUT.
- ⑤ QUANTITIES OF VOID CORING ARE DEPENDENT ON THE POSITION SIZE OF THE HOUSING.
- ⑥ HOUSINGS WITH CENTER MOUNTING ARE RECOMMENDED FOR ASSEMBLIES HAVING 75 CONTACTS OR MORE PER ROW..



⑥	187.96 [7.400]	74	191.11 [7.524]	201.93 [7.950]	209.55 [8.250]	150	1-5532825-4
	86.36 [3.400]	34	89.51 [3.524]	100.33 [3.950]	107.95 [4.250]	70	5532825-6
	48.26 [1.900]	19	51.41 [2.024]	62.23 [2.450]	69.85 [2.750]	40	5532825-3
	E	D	C	B	A	POSN	PART NUMBER

THIS DRAWING IS A CONTROLLED DOCUMENT.

DIMENSIONS:	TOLERANCES UNLESS OTHERWISE SPECIFIED:	DWN	J. POLIGNONE	10JUN05	tyco	Tyco Electronics Corporation
mm [INCHES]		CHK	A. SHARPE	10JUN05	ASSEMBLY, RECEPTACLE, RIGHT ANGLE, HDI, LEAD-FREE, 2 ROW, WITHOUT GUIDES, 3.05[.120] SOLDER POSTS	Harrisburg, Pa 17105-3608
0 PLC ± -		APPD	A. SHARPE	10JUN05	NAME	
1 PLC ± -		PRODUCT SPEC			APPLICATION SPEC	
2 PLC ± 0.15[.005]		SIZE			CAGE CODE	DRAWING NO
3 PLC ± -		WEIGHT			A1	00779
4 PLC ± -		CUSTOMER DRAWING			SCALE	4:1
ANGLES ± -					SHEET	1 OF 1
FINISH					REV	0