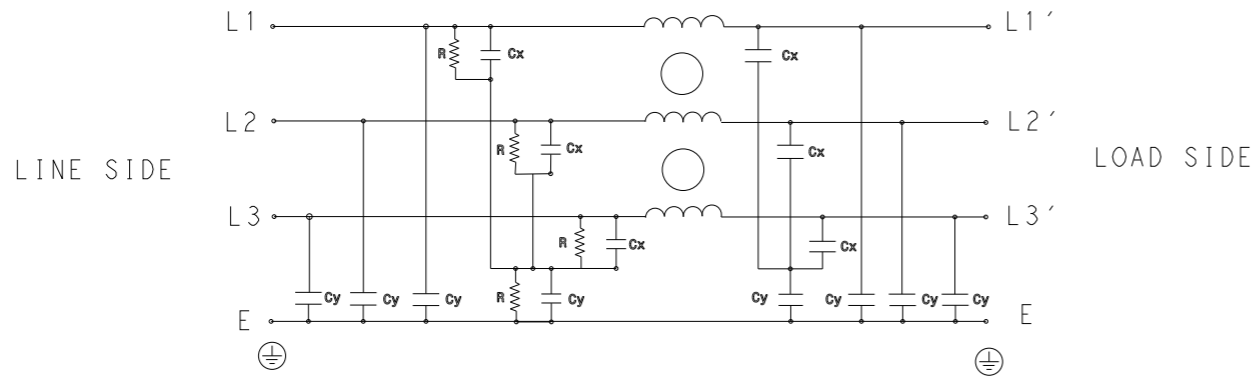


REVISIONS

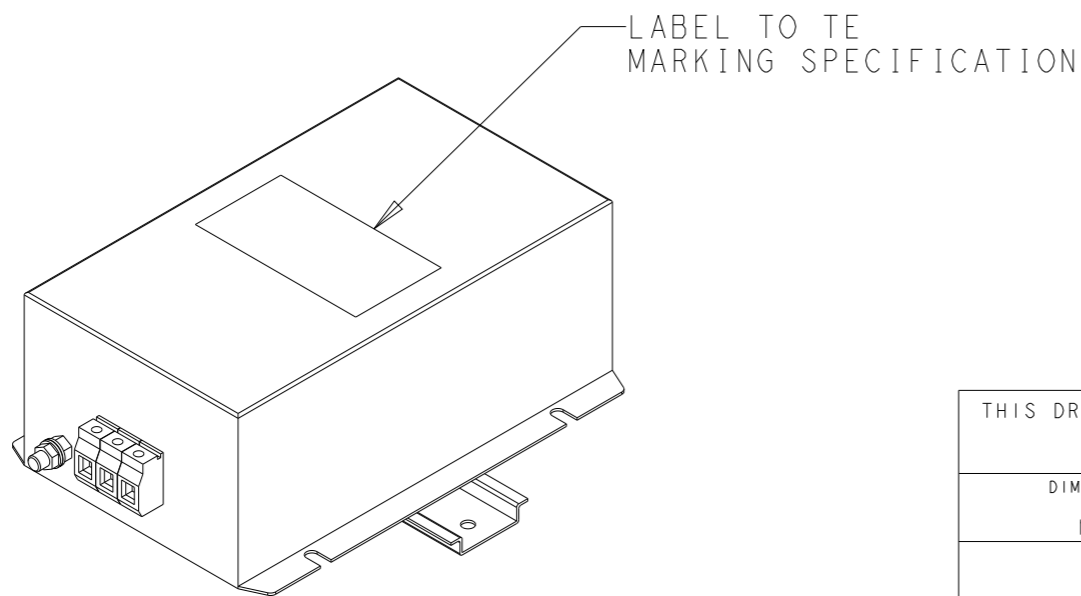
P	LTR	DESCRIPTION	DATE	DWN	APVD
	A	INITIAL RELEASE	02APR2021	BS	CB



SCHEMATIC

TYPICAL INSERTION LOSS
COMMON MODE 50/50Ω; DIFFERENTIAL MODE 50/50Ω

MHz	0.01	0.05	0.15	0.5	1	3	5	10	30
CM	56	60	62	54	50	42	40	34	32
DM	20	24	35	60	46	39	36	30	26



SAFETY ORGANIZATIONS

THIS FILTER WILL BE FORMALLY RECOGNIZED, CERTIFIED OR APPROVED BY THE LISTED AGENCY. THEREFORE, ALL TEST/REQUIREMENTS SPECIFIED IN THE LATEST REVISION OF THE FOLLOWING AGENCY STANDARDS WILL BE MET:

UL APPROVED 8A 440V 50Hz/60Hz 40°C
 CSA APPROVED 8A 440V 50Hz/60Hz 40°C

OPERATING SPECIFICATION

LINE CURRENT/VOLTAGE: 8A, 440VAC
LINE FREQUENCY: 50/60Hz

MAXIMUM LEAKAGE CURRENT: 18mA @ 230VAC, 50Hz

OPERATING AMBIENT TEMPERATURE RANGE @ RATED CURRENT: -25°C TO +40°C

IN AN AMBIENT, T_a, HIGHER THAN 40°C, THE MAXIMUM OPERATING CURRENT, I_o, IS AS FOLLOWS:

$$I_o = I_r \sqrt{\frac{85 - T_a}{45}}$$

RELIABILITY SPECIFICATIONS

STORAGE TEMPERATURE: -40°C TO +85°C
HUMIDITY: 21 DAYS @ 40°C AND 95% RH

TEST SPECIFICATIONS

INDUCTANCE, NOMINAL: 9mH

CAPACITANCE @ 1kHz

LINE TO GROUND, NOMINAL: 1.1μF
LINE TO LINE, NOMINAL: 1μF

DISCHARGE RESISTOR

L/G I.R. 1MΩ 1W
 L/L I.R. 2MΩ 1W
 L/N I.R. XXX
 N/G I.R. XXX

IR (NO DISCHARGE RESISTOR) 20°C, 50% RH AND 100VDC, MIN: 6MΩ

RECOMMENDED RECEIVING INSPECTION HIPOI

LINE TO GROUND FOR 1 MINUTE: 2632VDC
LINE TO LINE FOR 1 MINUTE: 1892VDC

FILTER APPROVAL

THE BEST WAY TO SELECT AND QUALIFY A FILTER IS FOR YOUR ENGINEERING TO TEST THE UNIT IN YOUR EQUIPMENT.

THIS DRAWING IS A CONTROLLED DOCUMENT.		DWN 02APR2021 BAPAT SAHAS														
DIMENSIONS: mm		CHK 02APR2021 CHRIS BOLLE														
TOLERANCES UNLESS OTHERWISE SPECIFIED:		APVD 02APR2021 CHRIS BOLLE	NAME POWER LINE FILTER FOR DIN 35 RAIL INSTALLATION 8KEMS10AFPDHM													
<table border="1"> <tr><td>0 PLC</td><td>±-</td></tr> <tr><td>1 PLC</td><td>±0.5</td></tr> <tr><td>2 PLC</td><td>±0.40</td></tr> <tr><td>3 PLC</td><td>±0.130</td></tr> <tr><td>4 PLC</td><td>±0.0500</td></tr> <tr><td>ANGLES</td><td>±-</td></tr> </table>		0 PLC	±-	1 PLC	±0.5	2 PLC	±0.40	3 PLC	±0.130	4 PLC	±0.0500	ANGLES	±-	PRODUCT SPEC -	SIZE A300779	
0 PLC	±-															
1 PLC	±0.5															
2 PLC	±0.40															
3 PLC	±0.130															
4 PLC	±0.0500															
ANGLES	±-															
MATERIAL		APPLICATION SPEC -	DRAWING NO C-7-1609967-1													
FINISH		WEIGHT -	RESTRICTED TO -													
-		CUSTOMER DRAWING	SCALE 2:5	SHEET 1 OF 2												
-			REV A													

4

3

2

1

© 2021 TE Connectivity. All Rights Reserved.

REVISIONS

NOTE 1 GROUND CONNECTION:
FOR ELECTRICAL SAFETY AND FILTER PERFORMANCE
UNIT MUST HAVE A GOOD GROUND CONNECTION.
TORQUE OUTER TERMINAL SCREWS: 0.5Nm / 4.5 in.lbs
TORQUE GROUND NUTS: 2.5-3Nm

NOTE 2 INPUT OUTPUT CONNECTION TERMINAL
AWG SIZE: 26-12 AWG
WIRE SECTION: 4 mm²
THREADED BOLT SIZE FOR GROUND: M6

NOTE 3 SUPPLIED WITH DIN RAIL BRACKET

NOTE 4 DRAWINGS SHOWS DIN RAIL FOR REFERENCE ONLY

P	LTR	DESCRIPTION	DATE	DWN	APVD
		SEE SHEET 1			

DIN RAIL CHANNEL

DIN 35 BRACKET

THIS DRAWING IS A CONTROLLED DOCUMENT.

DIMENSIONS:
mm

TOLERANCES UNLESS OTHERWISE SPECIFIED:

0 PLC	±	-
1 PLC	±	0.5
2 PLC	±	0.40
3 PLC	±	0.130
4 PLC	±	0.0500
ANGLES	±	-

MATERIAL

FINISH

-

-

DWN 02APR2021

BAPAT SAHAS

CHK 02APR2021

CHRIS BOLLE

APVD 02APR2021

CHRIS BOLLE

PRODUCT SPEC

APPLICATION SPEC

WEIGHT

-

CUSTOMER DRAWING

NAME

POWER LINE FILTER FOR
DIN 35 RAIL INSTALLATION
8KEMS10AFPDHM

SIZE

CAGE CODE

DRAWING NO

A300779

C-7-1609967-1

RESTRICTED TO

-

SCALE 2:5

SHEET 2 OF 2

REV A

TE Connectivity

1470-19 (3/13)