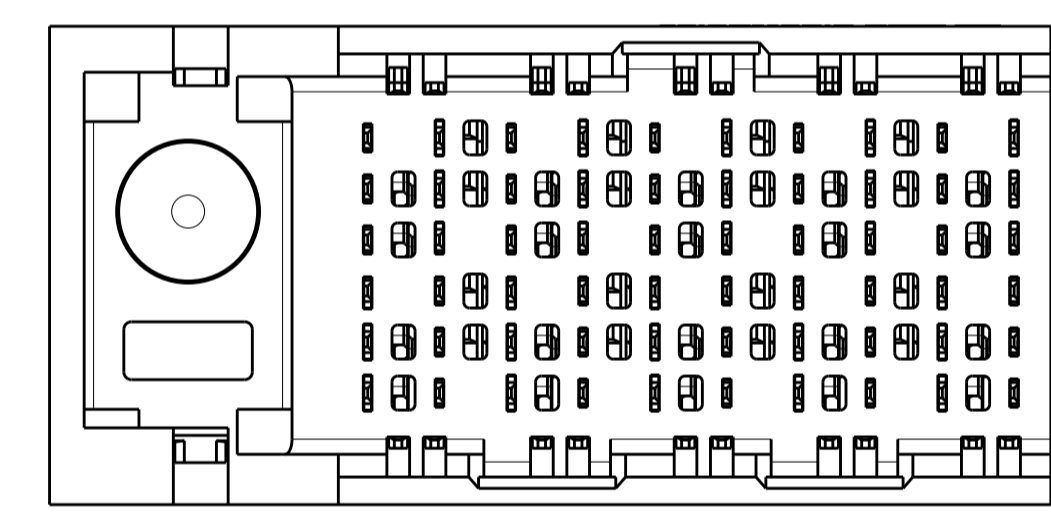
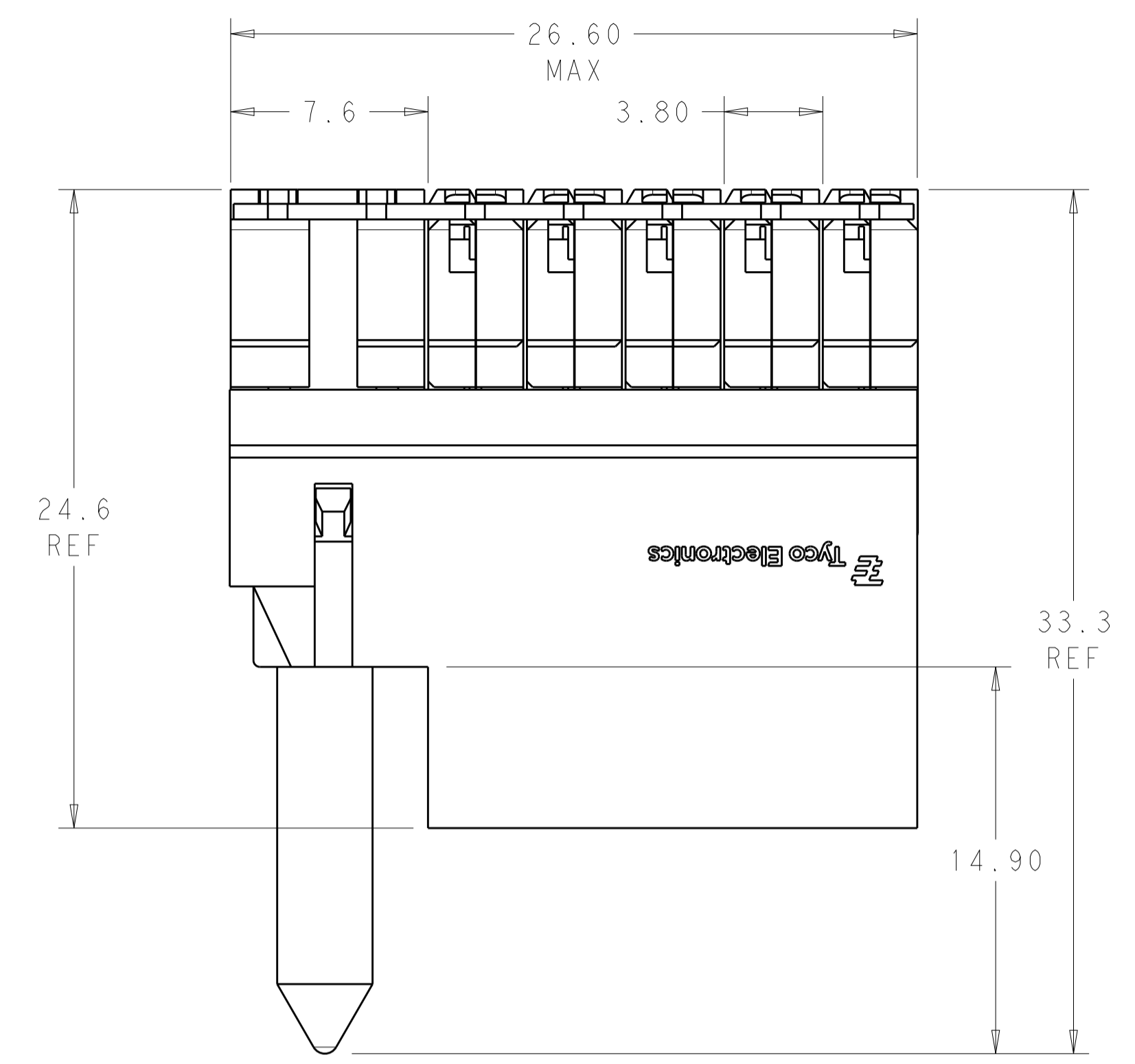
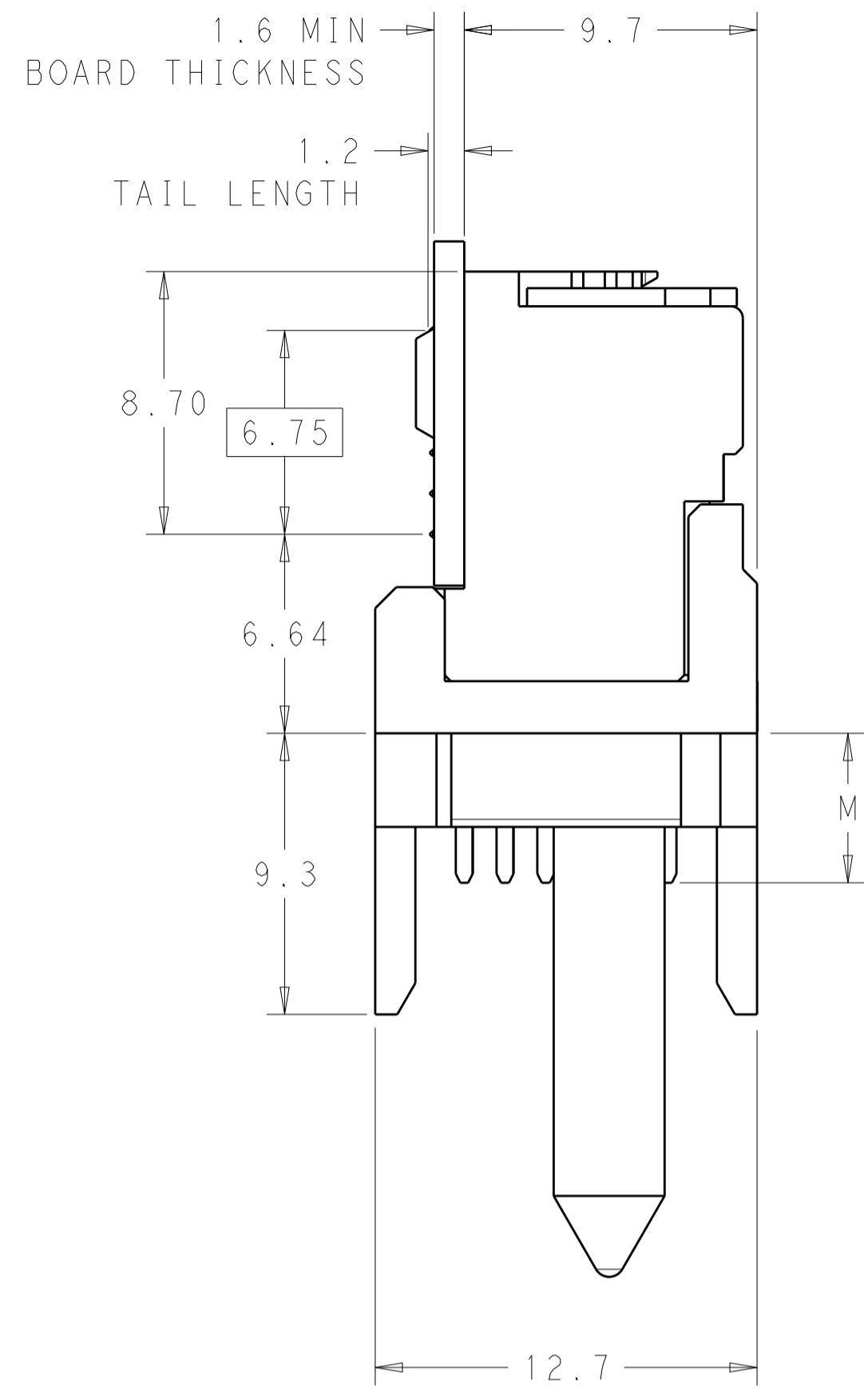
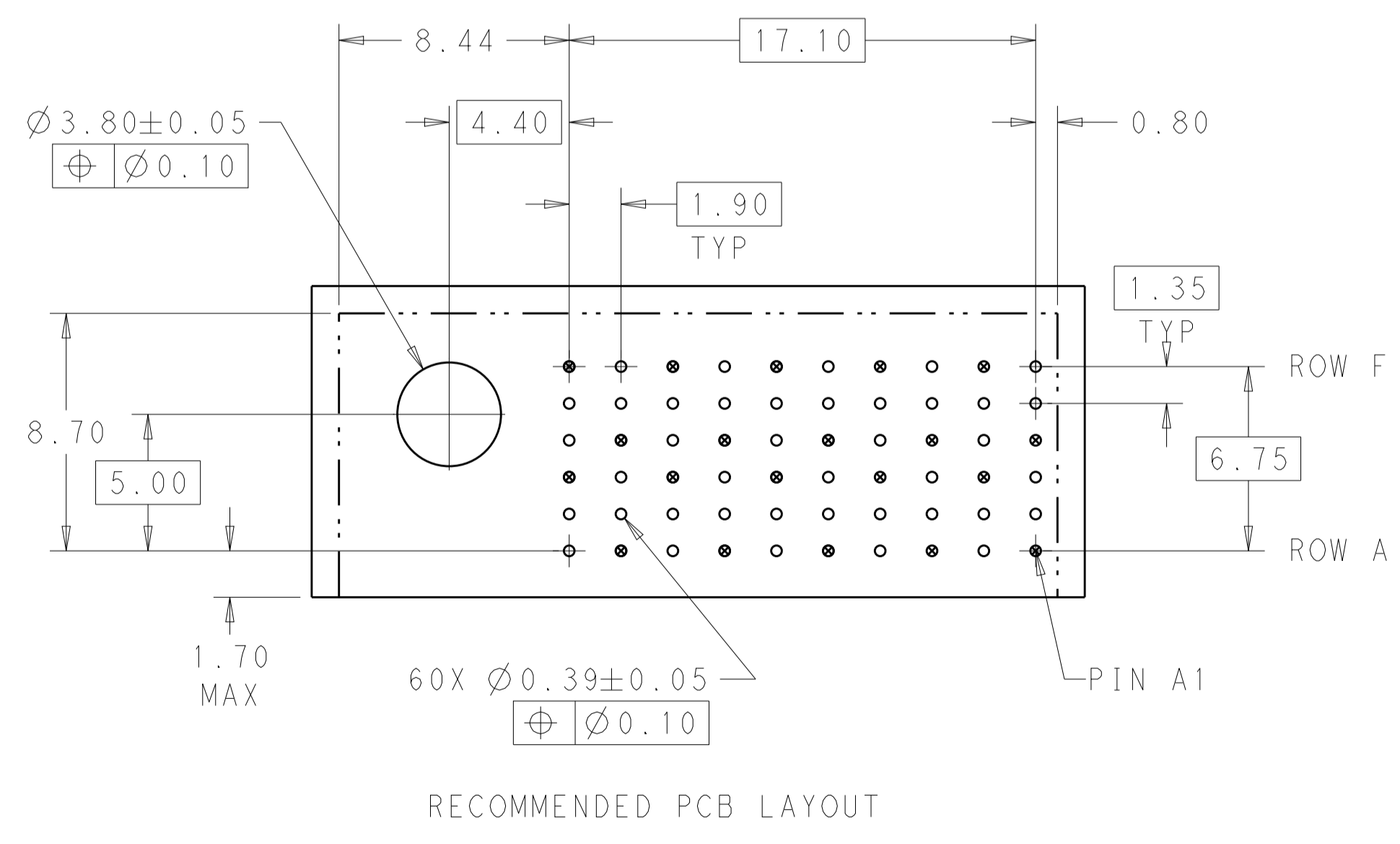
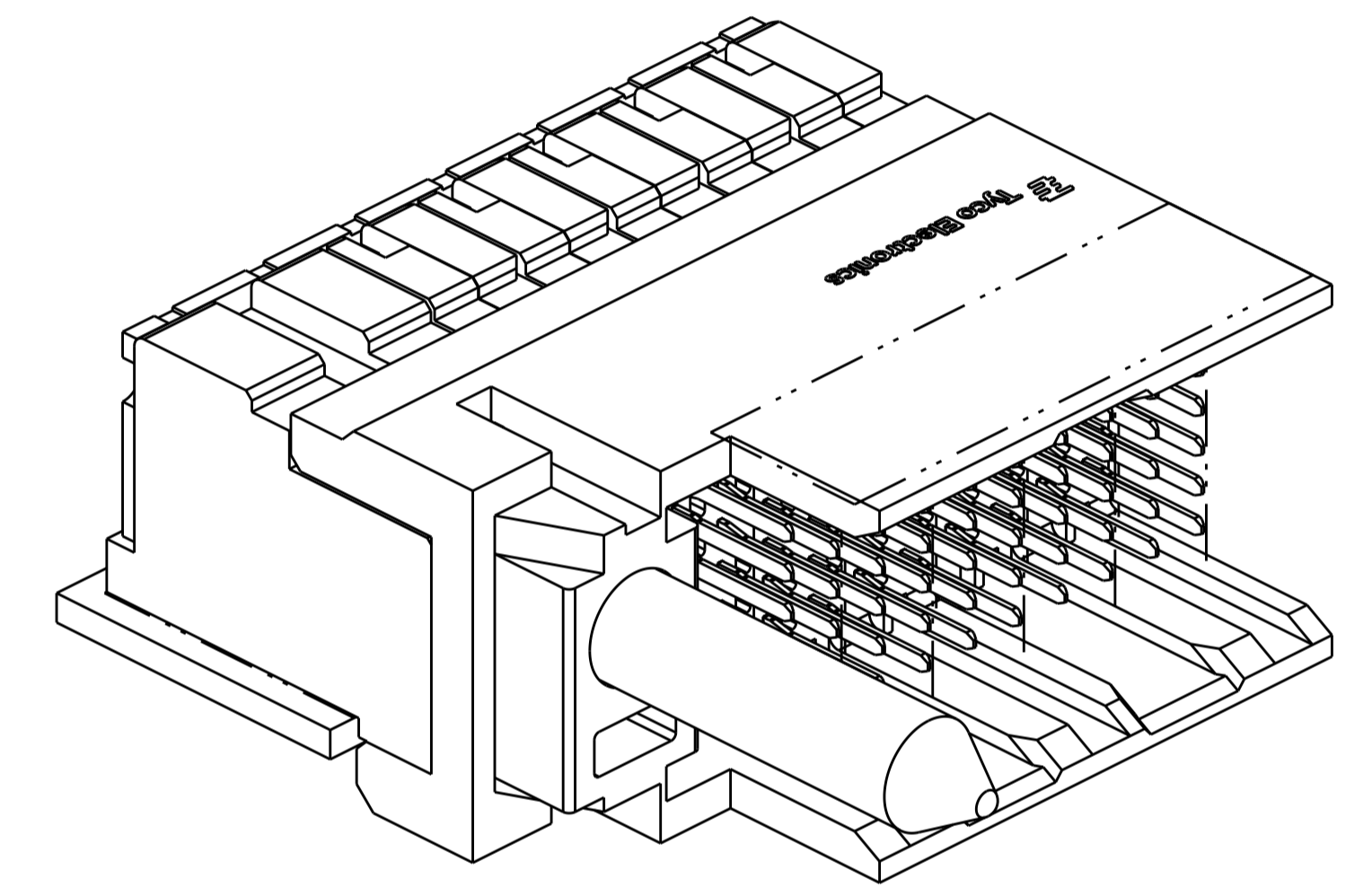


REVISIONS				
P.	LTN	DESCRIPTION	DATE	APVD
B1		REVISED PER ECO-15-003239	24MAR2015	AP DD

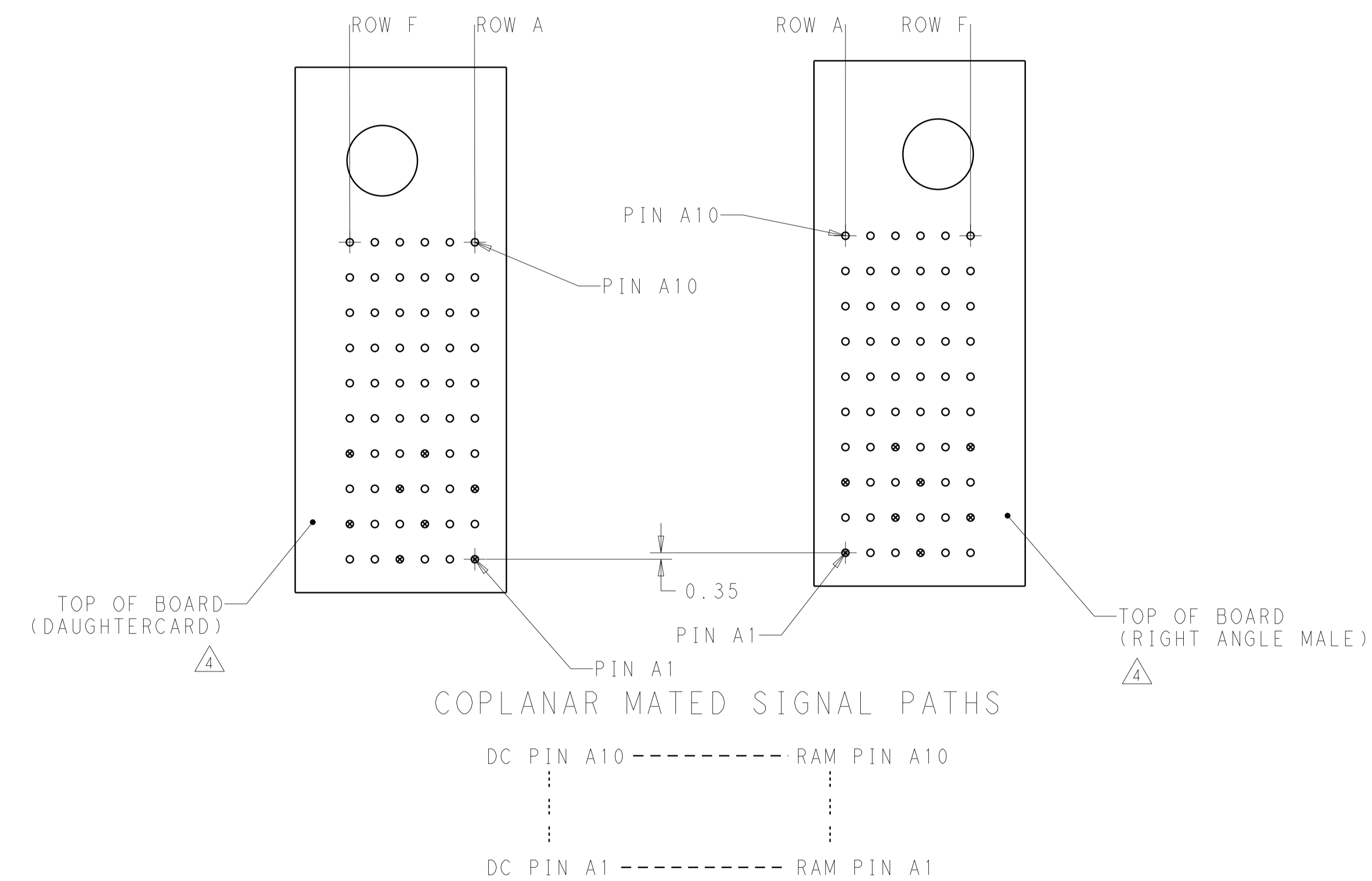


- 1 MATERIAL:
HOUSING: LCP, GLASS FILLED, UL94V-0.
TERMINALS: HIGH PERFORMANCE COPPER ALLOY.
- 2 FINISH:
30µm SELECTIVE GOLD IN CONTACT AREA. SELECTIVE TIN ON PCB TAILS, NICKEL OVERALL.
- 3 FINISH:
30µm SELECTIVE GOLD IN CONTACT AREA. SELECTIVE TIN-LEAD ON PCB TAILS, NICKEL OVERALL.
- 4 LEFT GUIDED RIGHT ANGLE MALE MATES TO RIGHT GUIDED RIGHT ANGLE RECEPTACLE.
- 5. CONNECTOR SUPPLIED WITH MOUNTING SCREW.



THIS DRAWING IS A CONTROLLED DOCUMENT.		OWN B. CARBO 15MAR2011	STE TE Connectivity
DIMENSIONS: mm		CHK J. EARY 15MAR2011	
TOLERANCES UNLESS OTHERWISE SPECIFIED:		APVD J. EARY 15MAR2011	NAME IMPACT, STD. RAM, 2 PAIR, 10 COLUMN LEFT GUIDED OPEN END WALL SIGNAL MODULE, 0.39 EYELET
0 PLC ±0.25		PRODUCT SPEC	
1 PLC ±0.13		APPLICATION SPEC	SIZE CAGE CODE DRAWING NO
2 PLC ±		WEIGHT	A100779C=2143016
3 PLC ±		Customer Drawing	RESTRICTED TO
4 PLC ±		SCALE 5:1	SHEET 1 OF 2
ANGLES			REV B1
FINISH SEE TABLE			

REVISIONS				
P.	LTN	DESCRIPTION	DATE	OWN APVD
-	-	SEE SHEET 1	-	-



COPLANAR MATED SIGNAL PATHS



△3	5.50	2143016-6
△3	4.90	2143016-5
△2	5.50	2143016-3
△2	4.90	2143016-2
FINISH	DIM M	PART NUMBER

REFER TO WWW.TE.COM FOR PRODUCT AVAILABILITY

THIS DRAWING IS A CONTROLLED DOCUMENT.		OWN B. CARBO 15MAR2011	TE Connectivity
DIMENSIONS: mm		CHK J. EARY 15MAR2011	
TOLERANCES UNLESS OTHERWISE SPECIFIED:		APVD J. EARY 15MAR2011	
0 PLC ± 1 PLC ±0.25 2 PLC ±0.13 3 PLC ± 4 PLC ± ANGLES ± FINISH ±		NAME IMPACT, STD. RAM, 2 PAIR, 10 COLUMN LEFT GUIDED OPEN END WALL SIGNAL MODULE, 0.39 EYELET	
MATERIAL	SEE TABLE	WEIGHT -	RESTRICTED TO
Customer Drawing		SIZE A100779	SCALE 5:1 SHEET 2 OF 2 REV B1