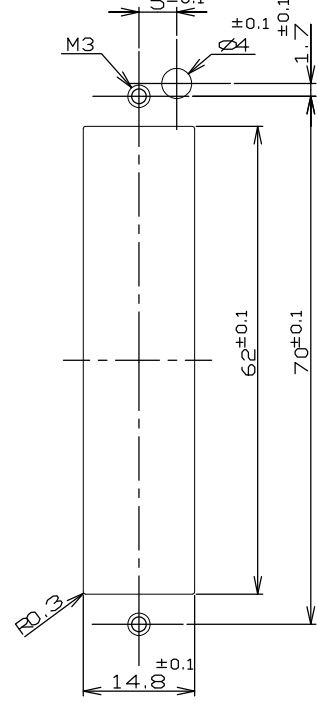
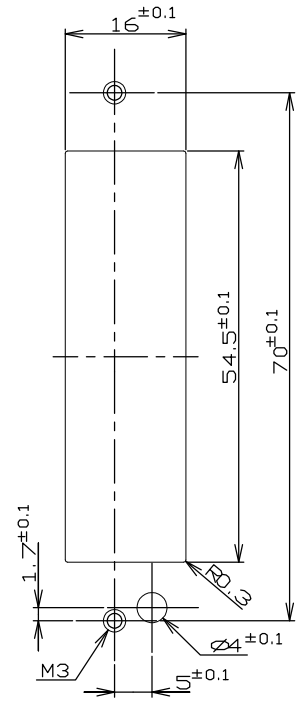
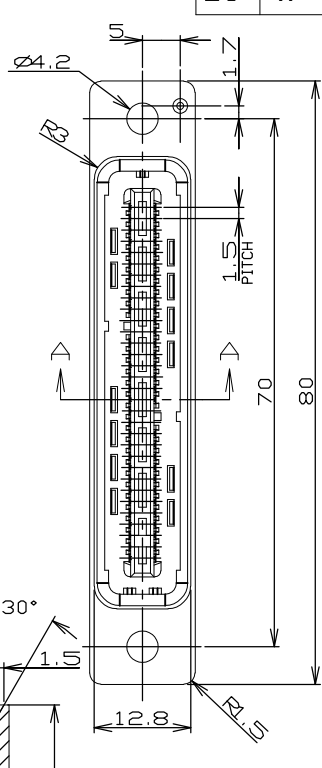
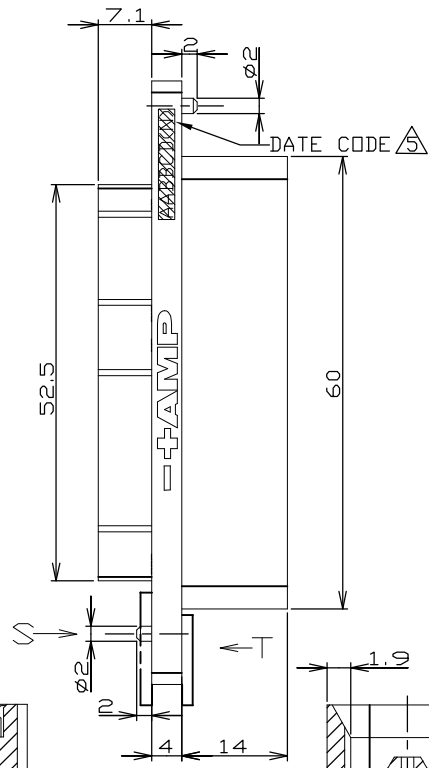
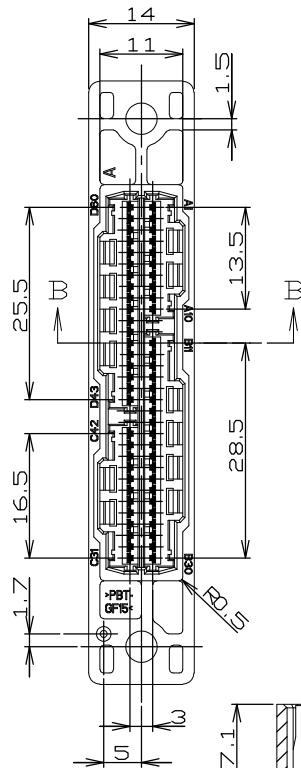
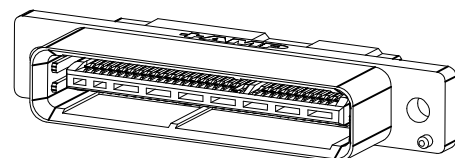
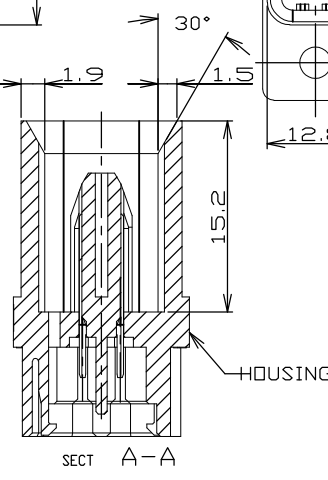
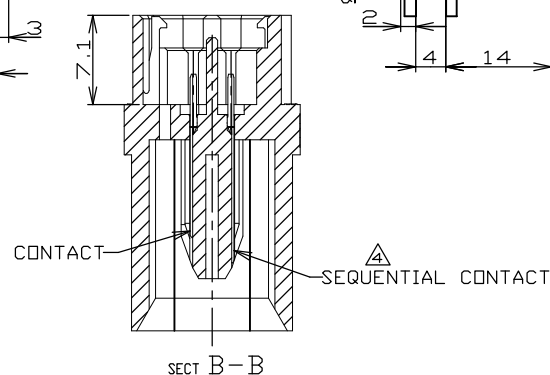


THIS DRAWING IS UNPUBLISHED. RELEASED FOR PUBLICATION .19
© COPYRIGHT 19 BY AMP INCORPORATED. ALL RIGHTS RESERVED.

LOC		DIST	REVISIONS					
ES		00	P	LTR	DESCRIPTION	DATE	DWN	APVD
			B1		REVISED ECR-07-028230	26NOV07	A.L	S.Y



PANEL CUT DIMENSIONS (CONNECTOR MATING SIDE)
VIEW S VIEW T



6-292233-0 AS SHOWN

TOLERANCES UNLESS OTHERWISE SPECIFIED:

10 >	: ±0.2
30 * >10	: ±0.25
100 * >30	: ±0.3
ANGLE	: ±3°

- Ⓜ NOTES:
- 1 USE WITH MT REC. CONN P/N: X-353293-X CRIMP HSG P/N: X-353908-X CRIMP CNT P/N: 353907-1 353918-1(K/L/P)
 - MATERIAL: HOUSING: PBT G.F. UL94V-0 COLOR: BLACK CONTACT: BRASS
 - FINISH: CONTACT: NICKEL UNDERPLATE ALL OVER CONTACT AREA: GOLD PLATE POST AREA: MATTE TIN PLATE
 - SEQUENTIAL CONTACT LOCATION: B11
 - LOCATION OF DATE CODE (PRINTED BY HOT-BAR): AABBC(DN) (AA: YEAR, BB: WEEK, C: DAY OF WEEK, D: DAYTIME, N: NIGHT)

THIS DRAWING IS A CONTROLLED DOCUMENT FOR AMP INCORPORATED. IT IS SUBJECT TO CHANGE AND THE CONTROLLING ENGINEERING ORGANIZATION SHOULD BE CONTACTED FOR THE LATEST REVISION.

DIMENSIONS:	TOLERANCES UNLESS OTHERWISE SPECIFIED:
M/M	±
Ø	±
	0 PLC: ±0.1
	1 PLC: ±0.05
	2 PLC: ±0.001
	3 PLC: ±0.0001
	4 PLC: ±0.0001
	ANGLES: ±
MATERIAL	FINISH

DWN	13DEC02		Tyco Electronics Corporation Shanghai, China 200233
CHK	S.YAO 13DEC02		
APVD	T.SASAKI 31DEC02		
NAME	PLUG ASS'Y for DC TYPE 60Pos. 1.5mm PITCH MINI CT DRAWER CONNECTOR		
PRODUCT SPEC	SIZE	CAGE CODE	DRAWING NO
APPLICATION SPEC	A3	00779	6-292233
WEIGHT	16.7 g		
CUSTOMER DRAWING		SCALE	SHEET 1 OF 1 REV B1