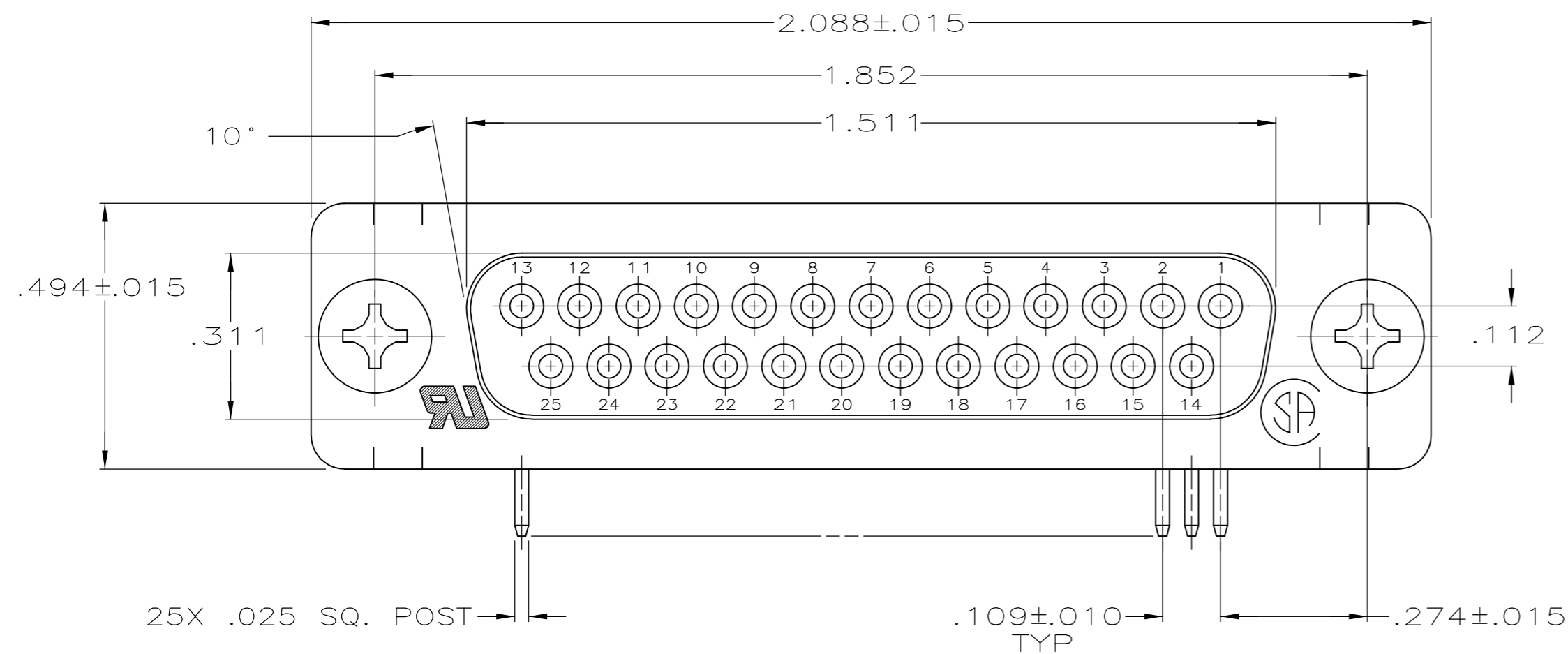
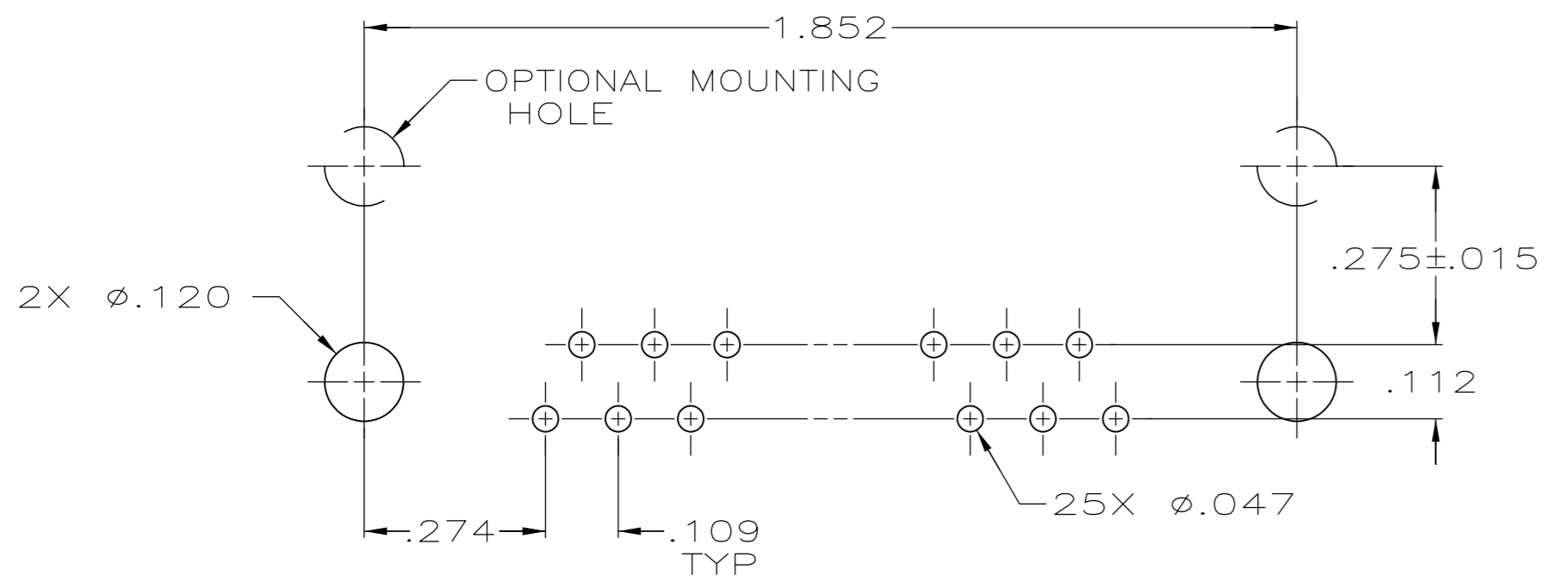
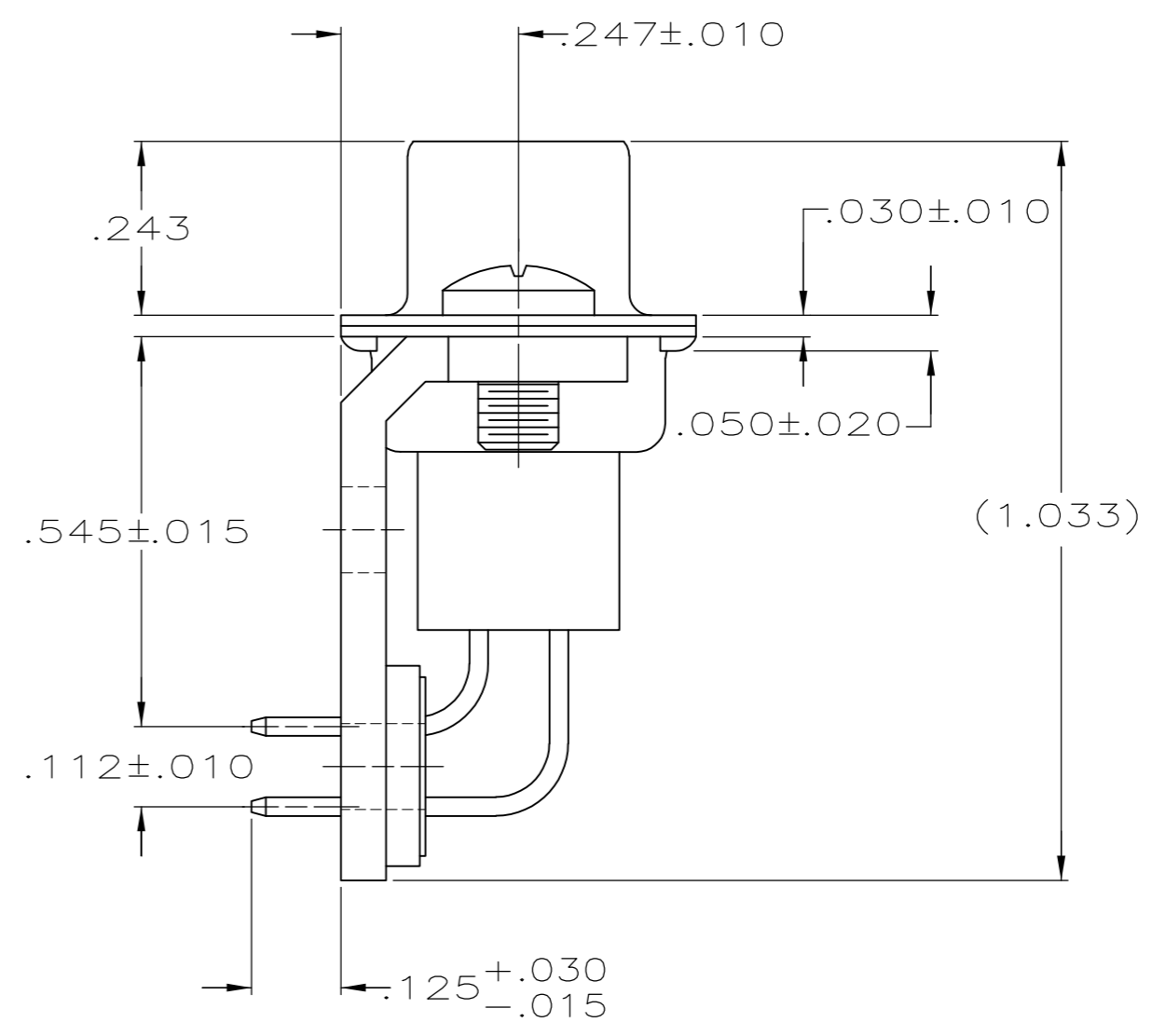
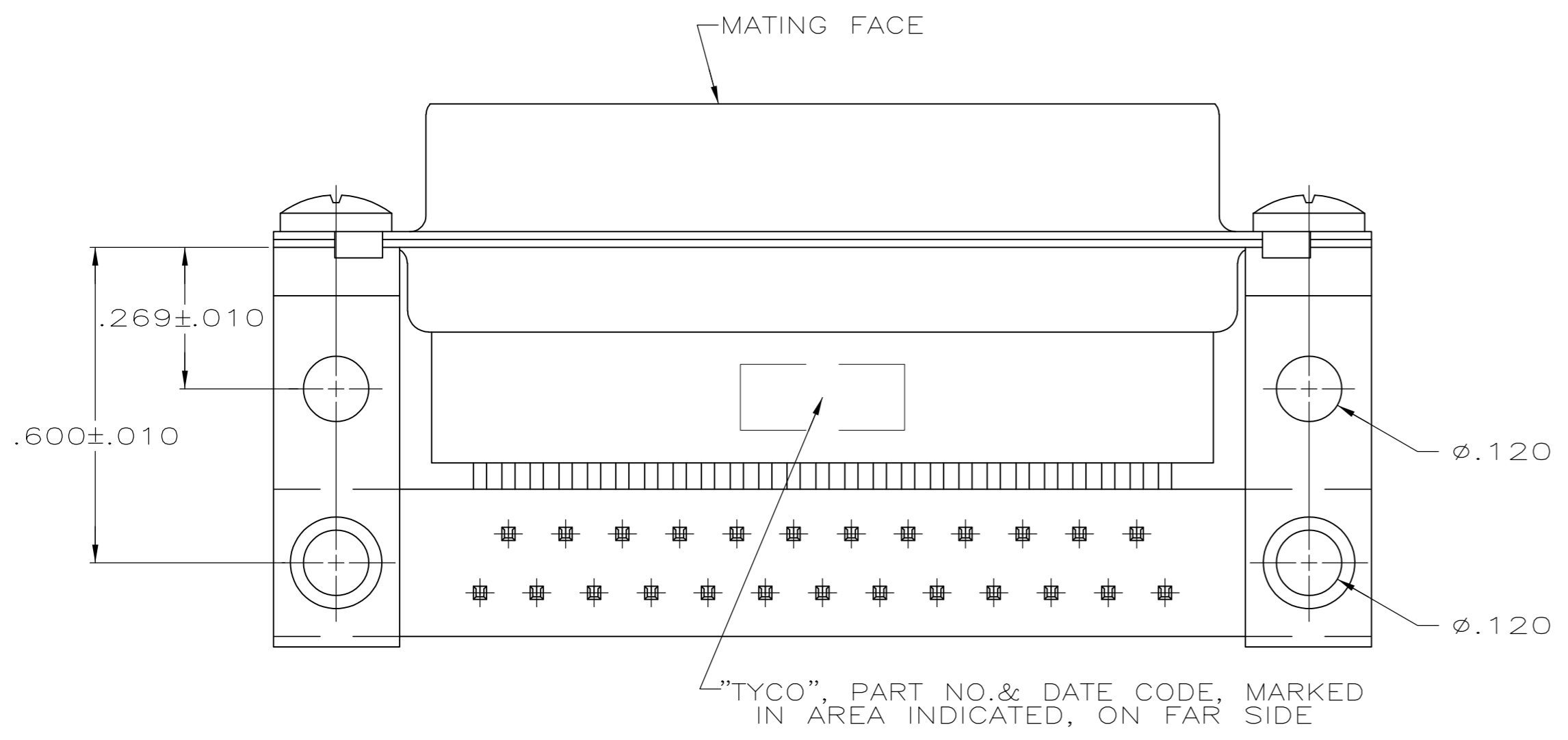


THIS DRAWING IS UNPUBLISHED. RELEASED FOR PUBLICATION
 © COPYRIGHT 2005 By - ALL RIGHTS RESERVED.

LOC		DIST		REVISIONS			
P	LTR	DESCRIPTION	DATE	DWN	APVD		
GP	00	B	REVISED PER ECO-14-011808	11AUG2014	AP	SB	



- 1 MOLDED PARTS: GLASS-FILLED PBT OR GLASS-FILLED NYLON, UL94V-0 RATED. COLOR: BLACK.
SHELLS & BRACKETS: CARBON STEEL.
CONTACTS: PHOSPHOR BRONZE.
- 2 SHELLS: .000200 MIN TIN OVER .000100 MIN COPPER.
BRACKETS: .000200 MIN TIN OVER .000050 MIN COPPER.
CONTACTS: .000030 MIN GOLD FOR A LENGTH OF .100 MIN FROM MATING END, .000100 MIN TIN ON OPPOSITE END, BOTH OVER .000050 MIN NICKEL
-OR-
GOLD FLASH OVER .000030 MIN PALLADIUM NICKEL PLATED FOR LENGTH OF .100 MIN FROM MATING END, .000100 MIN TIN ON OPPOSITE END, BOTH OVER .000050 MIN NICKEL.



P.C. BOARD MOUNTING DIMENSIONS

5745114-2
PART NO.

THIS DRAWING IS A CONTROLLED DOCUMENT.		DWN D. HENNY 8-24-05		TE Connectivity		
DIMENSIONS: INCHES		CHK S. BOLASH 8-24-05		NAME RECEPTACLE ASSEMBLY, SIZE 3, 25 POSITION, RIGHT ANGLE, .545 SERIES, .025 SQ. POSTS, AMPLIMITE HDP		
TOLERANCES UNLESS OTHERWISE SPECIFIED:		APVD M. WALMSLEY 8-24-05		PRODUCT SPEC 108-40025		
0 PLC ± - 1 PLC ± - 2 PLC ± - 3 PLC ± .005 4 PLC ± - ANGLES ± 2°		APPLICATION SPEC 114-40013		SIZE A2	CAGE CODE 00779	DRAWING NO. 5745114
MATERIAL		WEIGHT -	RESTRICTED TO -		SCALE 4:1	
FINISH		CUSTOMER DRAWING	SHEET 1 of 1		REV B	