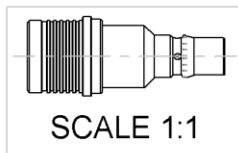
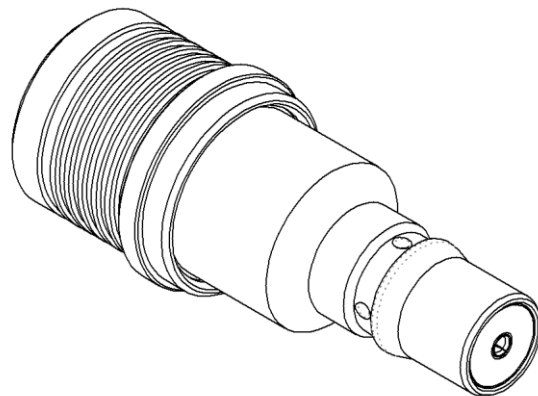
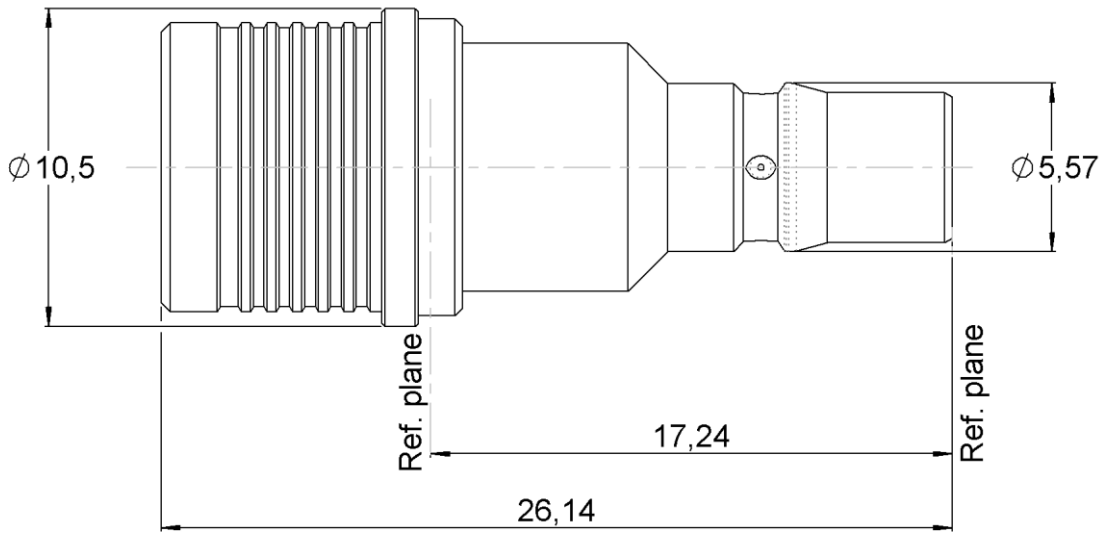
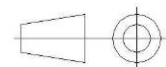


PAGE 1/2	ISSUE 13-11-19B	SERIES DC BLOCK	PART NUMBER R443191000
----------	-----------------	-----------------	------------------------



All dimensions are in mm. Tolerances according ISO 2768 m-H



COMPONENTS	MATERIALS	PLATING (μm)
Body	BRASS	BBR
Male center contact	BRASS	GOLD OVER COPPER
Female center contact	BERYLLIUM COPPER	GOLD OVER COPPER
Outer contact	BRONZE	BBR
Insulator	PTFE	
Gasket		
Substrate	ALUMINA	
Resistor	THICK FILM	
Others parts		

PAGE 2/2	ISSUE 13-11-19B	SERIES DC BLOCK	PART NUMBER R443191000
----------	-----------------	-----------------	------------------------

ELECTRICAL CHARACTERISTICS

Frequency (GHz)	0.01 - 3	3 - 6
V.S.W.R (≤)	1.20	1.40
Deviation(±dB)	0.30	0.60

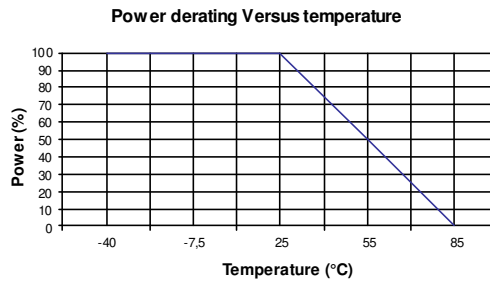
Operating Frequency Range	0.01 - 6	GHz
Impedance	50	Ω
Main Line Voltage	60	V
Typical capacitance	4700	pF
Average power at 25°C	10	W (Free Air Cooled)
		W (Conduction Cooled)

MECHANICAL CHARACTERISTICS

Connectors	QMA	Male Female	
Weight	6,3500	g	

ENVIRONMENTAL CHARACTERISTICS

Operating temperature range	-40/+85	°C
Storage temperature range	-40/+85	°C



SPECIFICATION

OTHER CHARACTERISTICS