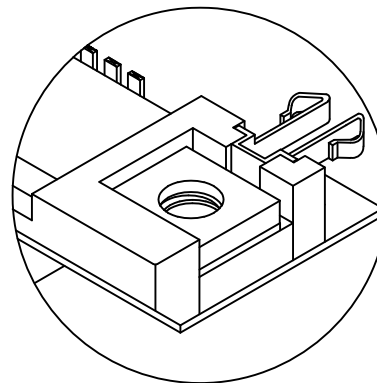


Pin Number:
5 9 4 8 3 7 2 6 1



Fork Board Lock Type

Material and Finish

Insulator: High Temperature Thermoplastic with Glass-fiber Reinforcement, UL 94V-0 Rated, Color: Black

Shell: Steel, Nickel Plated

Contact Material:
Plug - Phosphor Bronze

Contact Plating Options:

Standard: Gold Flash on Mating End, Tin on Termination End, Nickel Underplate on Entire Contact

15 Option: 15u" Gold on Mating End, Tin on Termination End, Nickel Underplate on Entire Contact

30 Option: 30u" Gold on Mating End, Tin on Termination End, Nickel Underplate on Entire Contact

Electrical Specifications

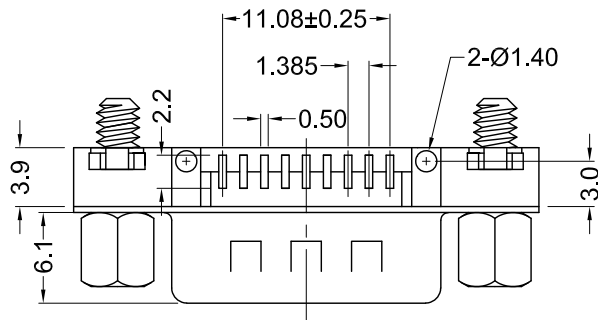
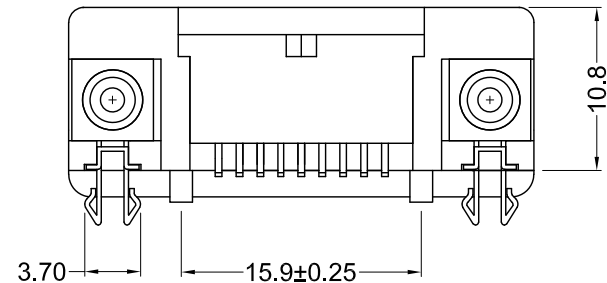
- Rated Current: 2A
- Rated Voltage: 30V RMS
- Insulation Resistance: 1000 Megohms Min. at 500V DC
- Contact Resistance: 13 milliohms Max.
- Dielectric Withstanding Voltage: 1000V for 1 Minute

Mechanical Specifications

Operating Temperature:
-55°C to +105°C

Installed Hardware

Jackscrew: JSX-1055



Part Number	Plating	Packaging
K202XHT-E9P-NJ	Flash	Tubes
K202XHT-E9P-NJ15	15u"	Tubes
K202XHT-E9P-NJ30	30u"	Tubes
K202XHT-E9P-NJ-TR	Flash	Tape and Reel
K202XHT-E9P-NJ15TR	15u"	Tape and Reel
K202XHT-E9P-NJ30TR	30u"	Tape and Reel



Tolerances
X.X ± 0.25
X.XX ± 0.15
Unless Stated Otherwise

REV.	DATE	DESCRIPTION	REV. BY	CHK. BY	DRAWN BY	DATE
A1	01/04/06	New Drawing	R. Aguirre	H. MA	R. Aguirre	01/04/06
B1	11/30/07	ECO #07-044	WILL_H	H. MA		
B2	05/20/08	ECO #08-042	S. Vien	H. MA		
B3	05/16/13	Fix Flash TR Part Number	P. DalCanto	P. DalCanto		UNITS
B4	06/06/13	ECO #13-033	D. Gih	P. DalCanto		
B5	08/10/18	Address Update	G. Serrato	D. Shehan		

K202XHT-E9P-NJ

D-Sub, Right Angle, RoHS Compliant
Low Profile, 9 Pin Male, SMT W/ Jackscrews

