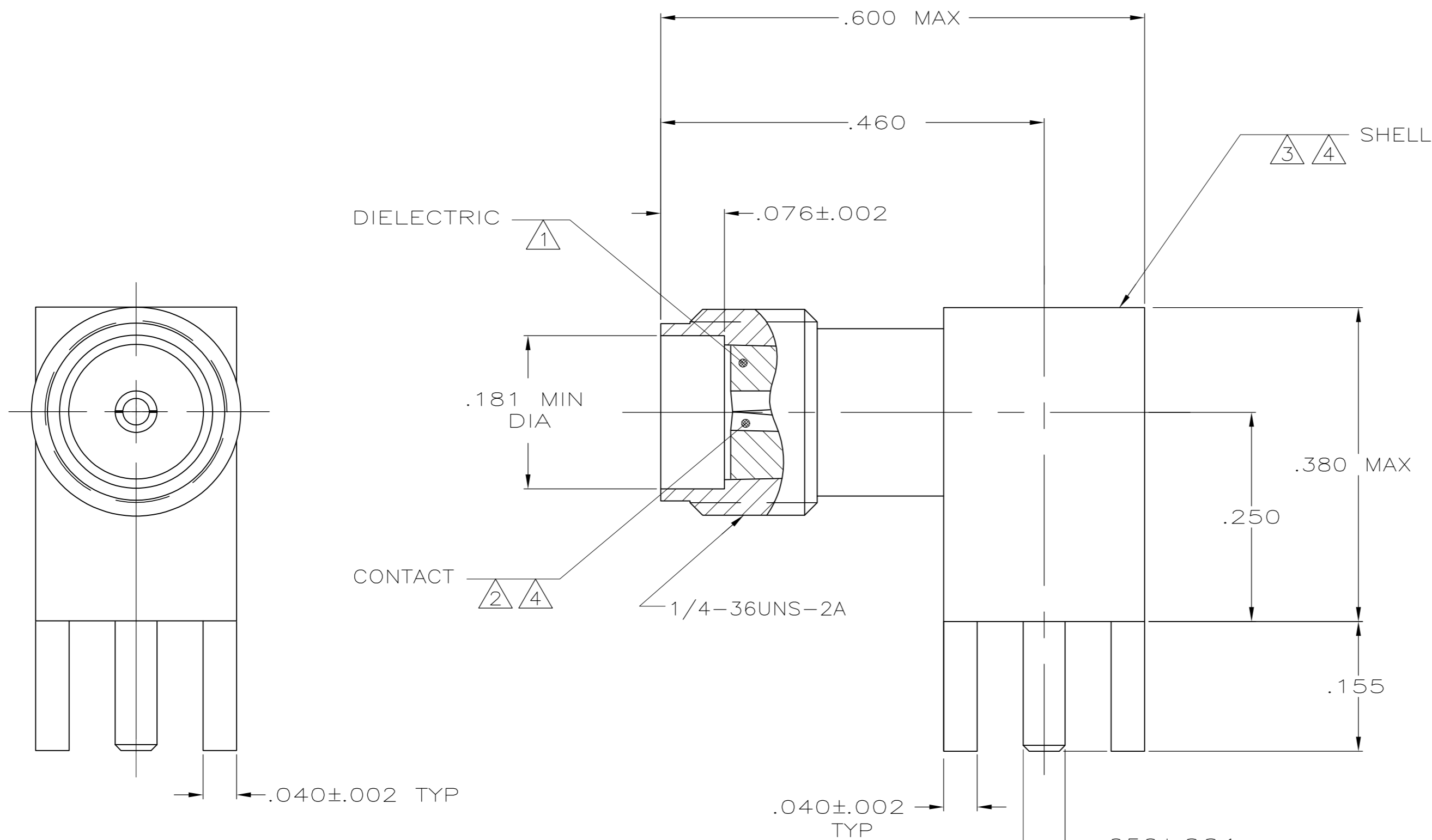
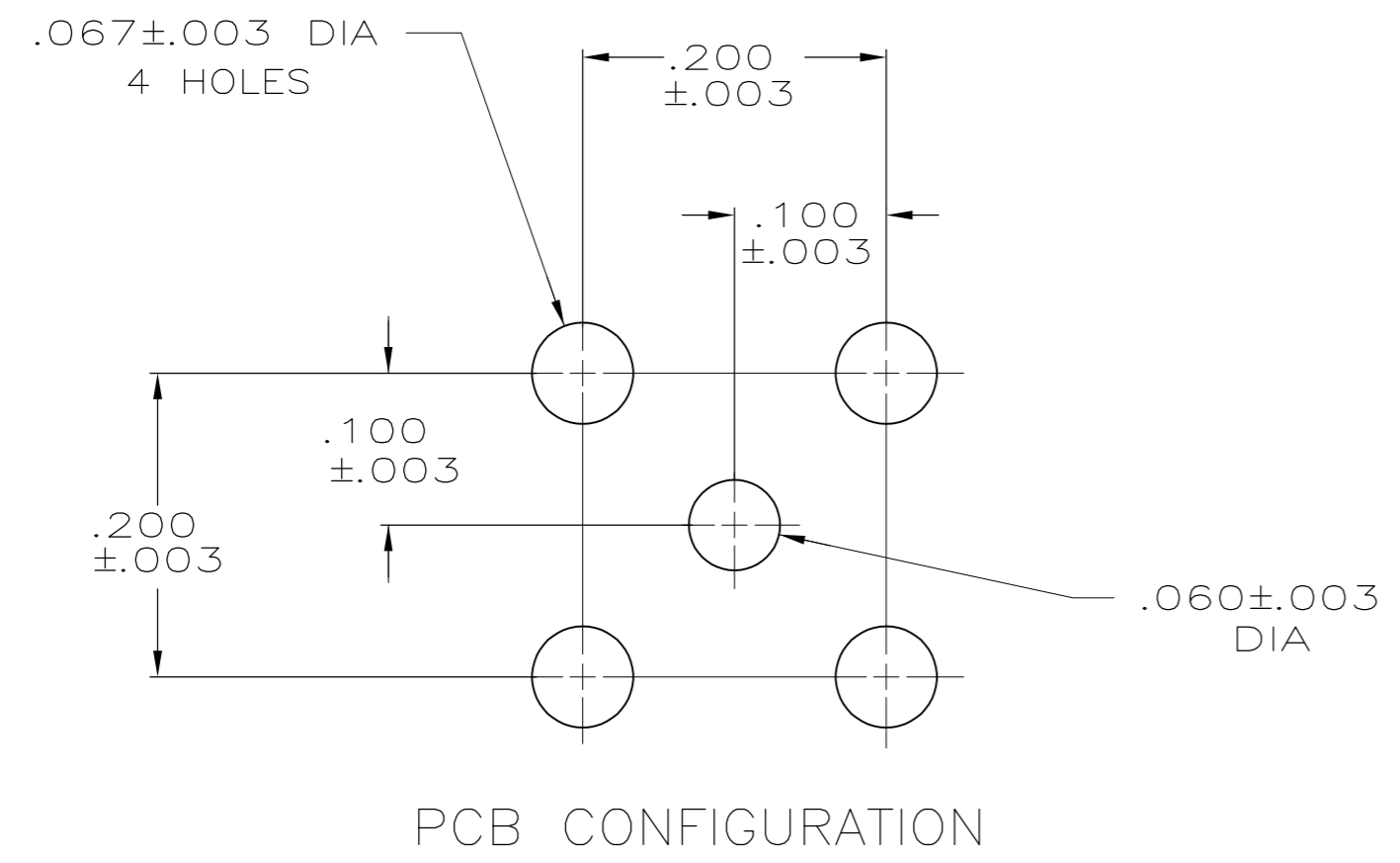


THIS DRAWING IS UNPUBLISHED. RELEASED FOR PUBLICATION
 © COPYRIGHT - By - ALL RIGHTS RESERVED.

LOC	DIST	REVISIONS			
P	LTR	DESCRIPTION	DATE	DWN	APVD
AJ	16	B1	REVISED PER ECO-11-005030	23MAR11	RK HMR



- ① PTFE PER ASTM-D-1710
- ② BERYLLIUM COPPER PER ASTM-B-197
- ③ STAINLESS STEEL PER ASTM-A-582
- ④ GOLD PL PER MIL-G-45204



221790-1
 PART NUMBER

THIS DRAWING IS A CONTROLLED DOCUMENT.		DWN	M. OBRINE	05MAY99	 TE Connectivity			
DIMENSIONS: mm		CHK	J. CABARLO	05MAY99				
TOLERANCES UNLESS OTHERWISE SPECIFIED:		APVD	J. CABARLO	05MAY99				
0 PLC ± - 1 PLC ± - 2 PLC ± - 3 PLC ± .010 4 PLC ± - ANGLES ± -		PRODUCT SPEC	NAME			JACK, RIGHT ANGLE PCB, SERIES SMA		
MATERIAL		FINISH	WEIGHT		SIZE	CAGE CODE	DRAWING NO	RESTRICTED TO
①②③		④	-		A2	00779	C=221790	-
CUSTOMER DRAWING					SCALE	8:1	SHEET	1 of 1
					REV	B1		