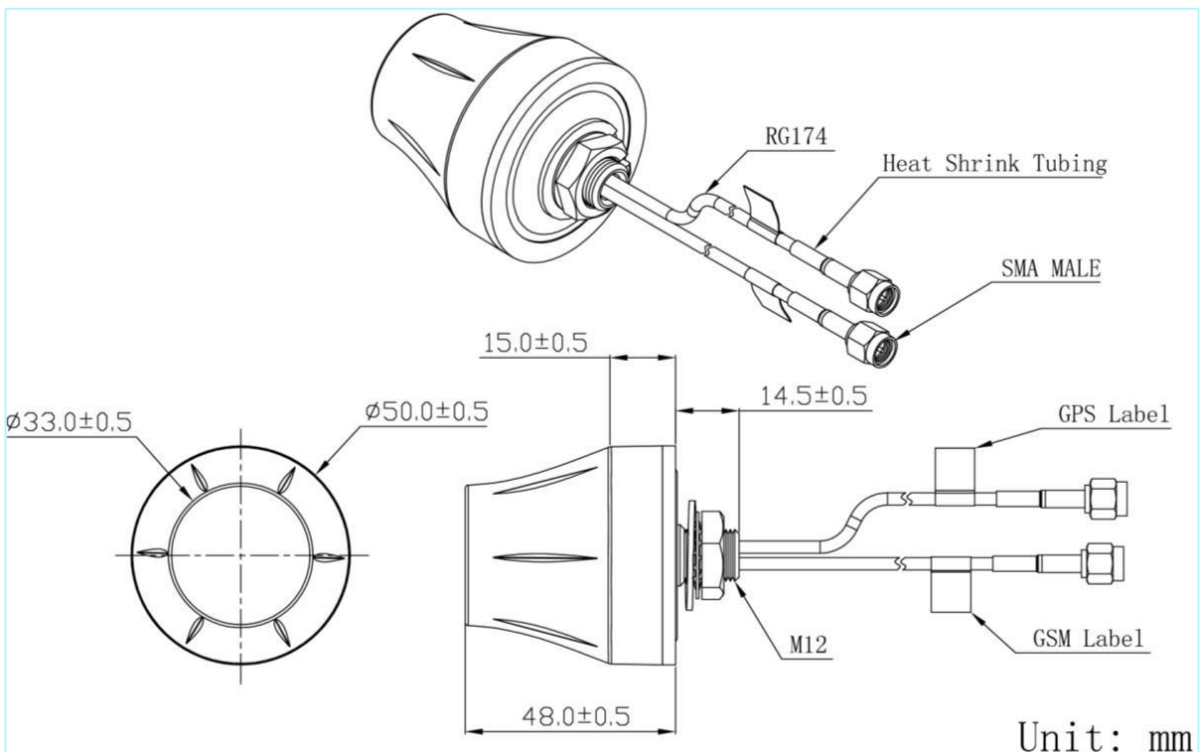


LTE version (including 700MHz band) GSM +GPS Combination Antenna
screw mount

AN_GPS_GSM_062



Mechanical dimension



LTE version (including 700MHz band) GSM +GPS Combination Antenna screw mount

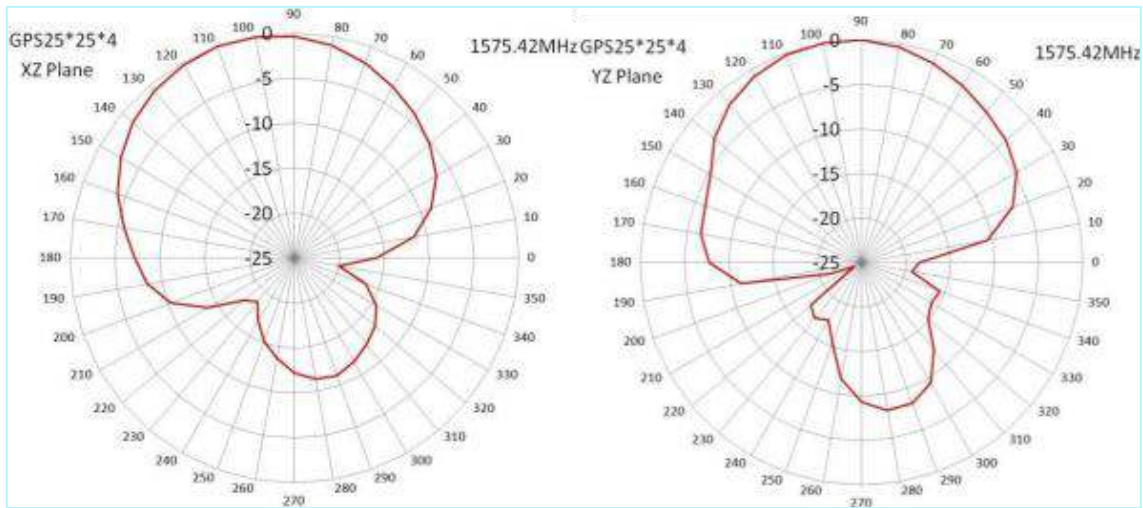
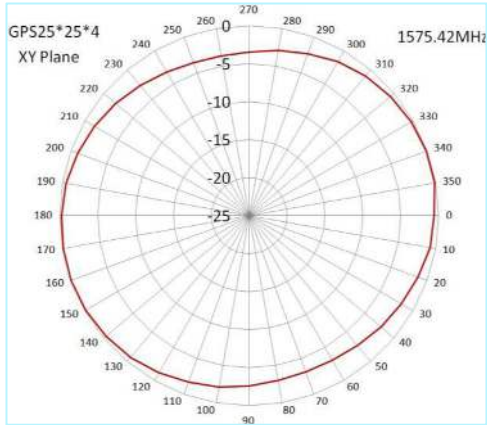
Specifications

Item		Specifications	
GPS Antenna	Dielectric Antenna	Center Frequency	1575.42±3MHz
		Band Width	CF±5MHz
		Polarization	RHCP
		Gain	2dBic (Zenith)
		V.S.W.R	<1.5
		Impedance	50Ω
	LNA	Gain	28±2dB
		Noise Figure	<1.5
		Ex-band Attenuation	12dB@CF+50MHz/16dB@CF-50MHz
		V.S.W.R	<2.0
		Supply Voltage	2.2~5V DC
		Current Consumption	5~15mA
GSM Antenna	Frequency Range	698~960MHz/1710~2690MHz	
	V.S.W.R	<2.0	
	Polarization	Linear	
	Gain	2.0dBi	
	Impedance	50Ω	
Mechanical	Cable	RG174	
	Connector	SMA / MCX / FAKRA或其它	
	Material	ABS	
	Mounting Method	Screw	
Environmental	Operating Temperature	-40°C~+85°C	
	Relative Humidity	Up to 95%	
	Ingress Protection	IP67 (exclude cable outlet)	
	Vibration	10 to 55Hz with 1.5mm amplitude 2hours	
	Environmentally Friendly	ROHS Compliant	

LTE version (including 700MHz band) GSM +GPS Combination Antenna
screw mount

Radiation Patterns

GPS Antenna



LTE version (including 700MHz band) GSM +GPS Combination Antenna
screw mount

Radiation Patterns

GSM Antenna

