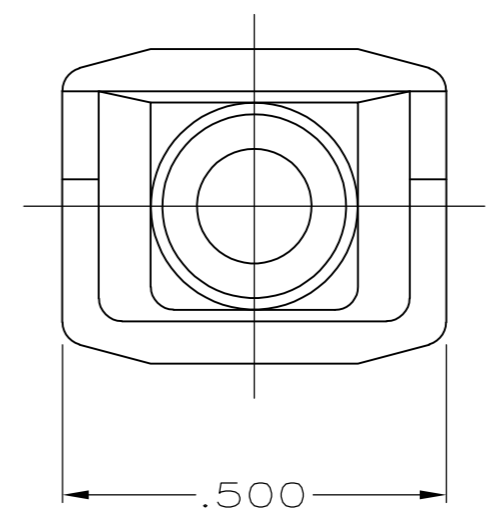
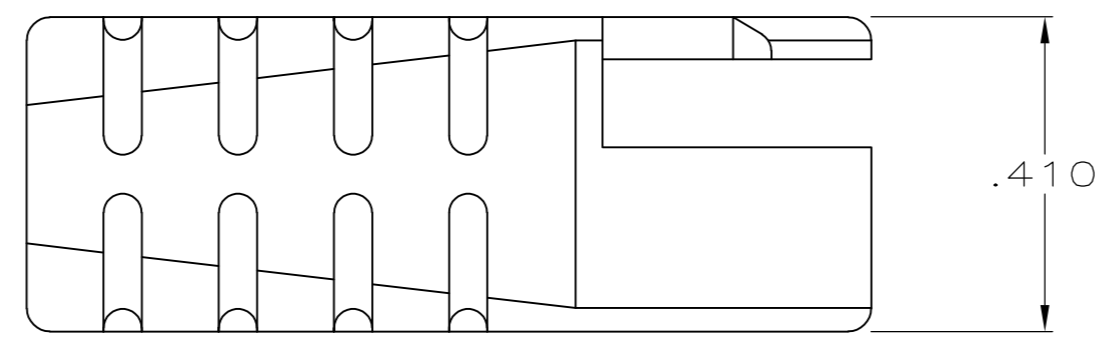
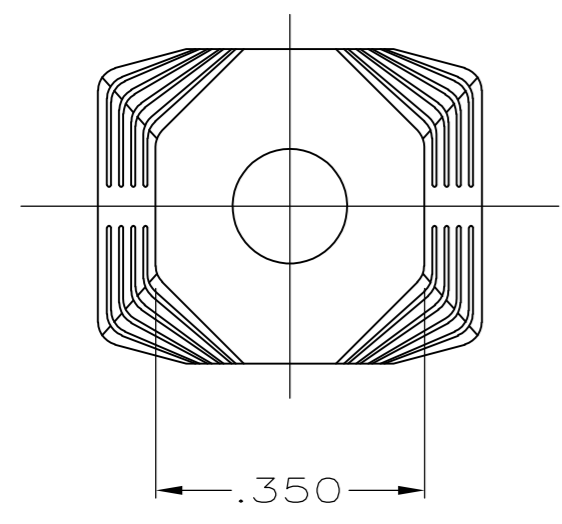
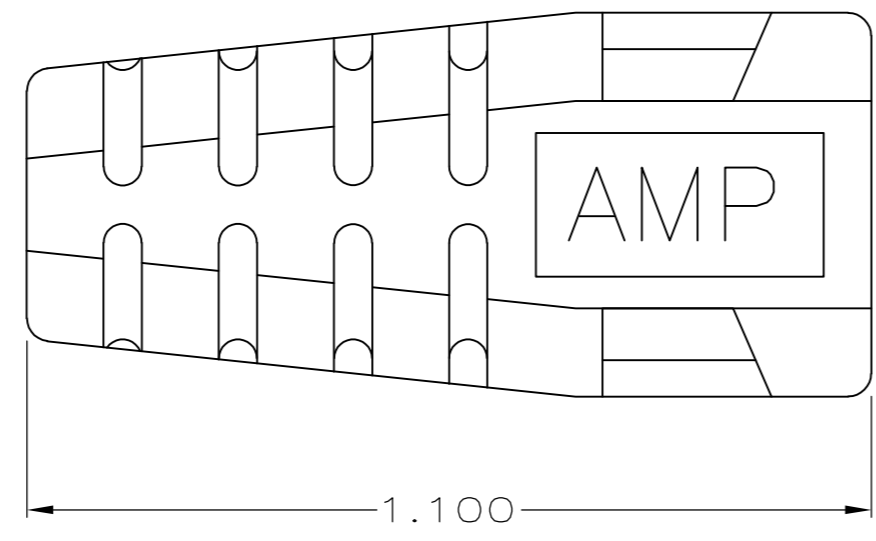


THIS DRAWING IS UNPUBLISHED. RELEASED FOR PUBLICATION
 © COPYRIGHT BY TYCO ELECTRONICS CORPORATION. ALL INTERNATIONAL RIGHTS RESERVED.

LOC	DIST	REVISIONS					
GP	00	P	LTR	DESCRIPTION	DATE	DWN	APVD
		J		REVISED PER ECO-10-005480	15MAR2010	CJV	CWR

1. BOOT ACCEPTS CABLE .147-.200 DIA.
2. SEE APPLICATION SPECIFICATIONS 114-2090 OR 114-2102 FOR ASSOCIATED PLUG AND CABLE SPECIFICATIONS.
3. SLIDE BOOT OVER UNTERMINATED CABLE, COMPLETE TERMINATION PER ABOVE SPECIFICATIONS, AND SLIDE BOOT OVER COMPLETED PLUG ASSEMBLY.



	OBSOLETE	GRAY	520851-4
SUPSD BY	520851-1	BLACK	520851-3
	OBSOLETE	GRAY	520851-2
		BLACK	520851-1
	COLOR	PART NUMBER	

THIS DRAWING IS A CONTROLLED DOCUMENT.		DWN	10/8/90	Tyco Electronics Corporation	
DIMENSIONS: INCHES		CHK	3-1-91	Harrisburg, PA 17105-3608	
TOLERANCES UNLESS OTHERWISE SPECIFIED:		APVD	3-1-91	NAME	
0 PLC ± -		PRODUCT SPEC		4 POSITION SDL ROUND PLUG BOOT	
1 PLC ± -		APPLICATION SPEC		SIZE	RESTRICTED TO
2 PLC ± -				CAGE CODE	
3 PLC ± .010				DRAWING NO	
4 PLC ± -				SCALE	
ANGLES ± -		WEIGHT	-	REV	J
FINISH					
MATERIAL	THERMOPLASTIC RUBBER	CUSTOMER DRAWING		SCALE	4:1
		A2 00779 C=520851		SHEET	1 of 1