

4

3

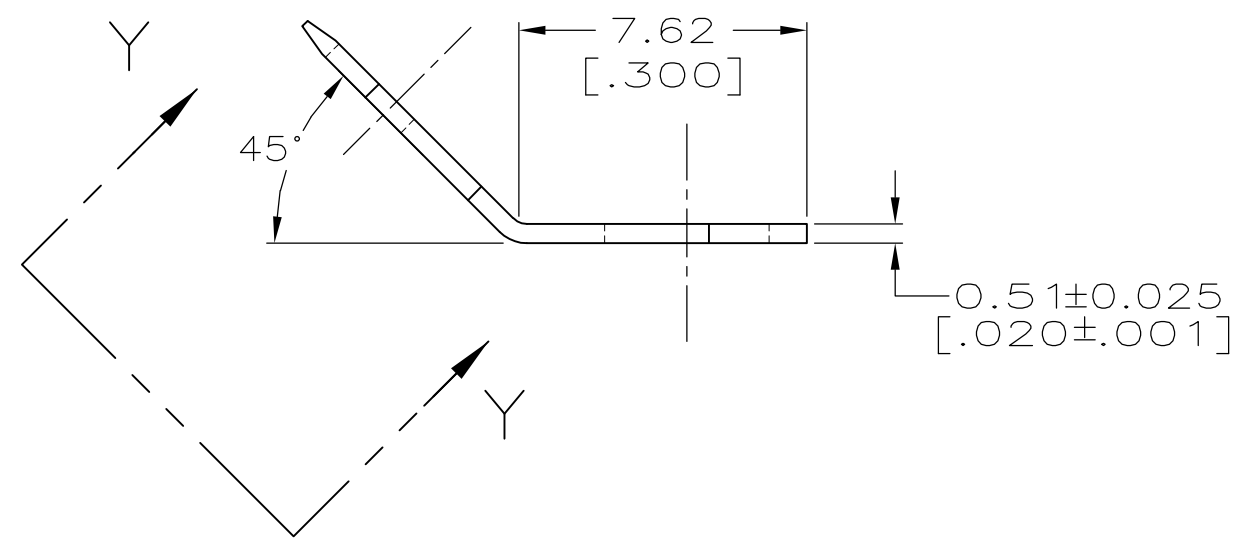
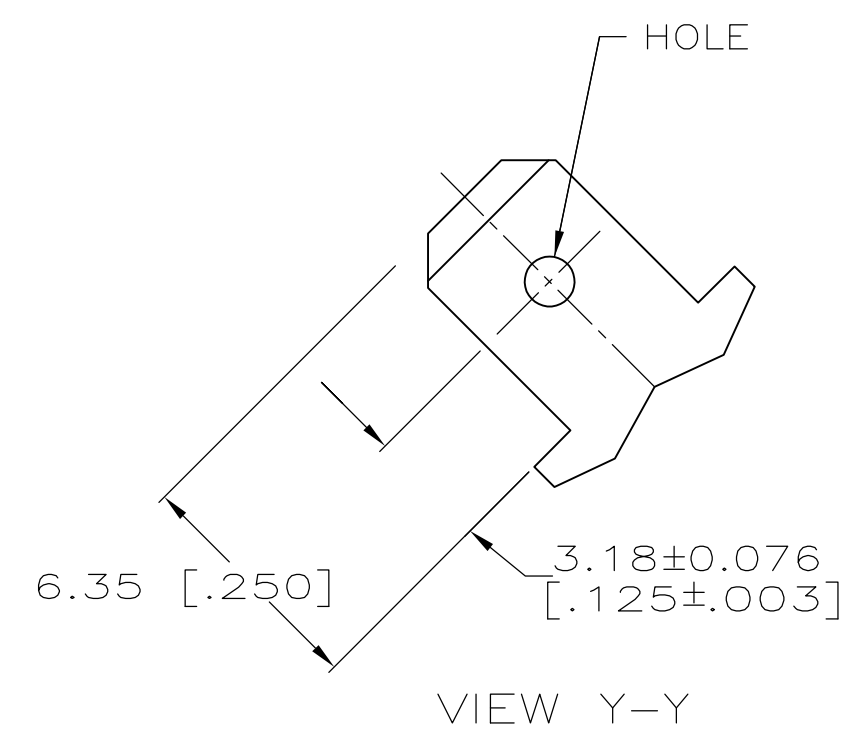
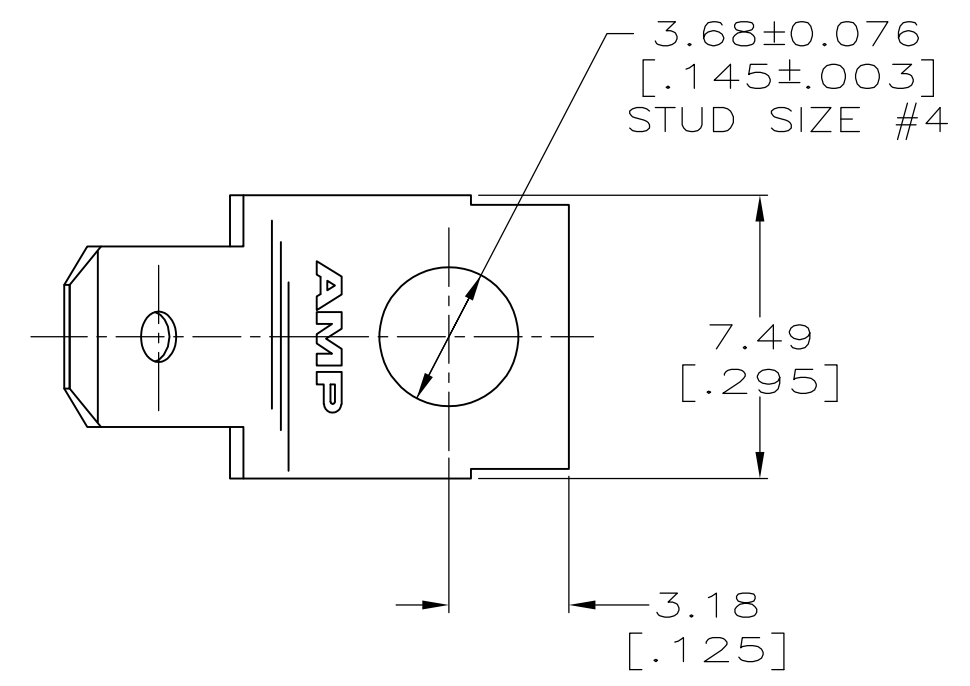
2

1

THIS DRAWING IS UNPUBLISHED. RELEASED FOR PUBLICATION
 © COPYRIGHT - By - ALL RIGHTS RESERVED.

LOC	DIST	REVISIONS			
P	LTR	DESCRIPTION	DATE	DWN	APVD
		C	REVISED PER ECR-13-011489	04DEC2013	KH PD

1 SUPPLIED IN LOOSE PIECE.



62576-1
 PART NO.

THIS DRAWING IS A CONTROLLED DOCUMENT.		DWN	JR RUTH	1/10/97	TE Connectivity													
DIMENSIONS: mm [INCHES]		CHK	MS FEHER	1/10/97				NAME										
TOLERANCES UNLESS OTHERWISE SPECIFIED:		APVD	J HUZVAR	1/10/97	TAB, FASTON, 4.75 [.187] SERIES													
<table border="0"> <tr><td>0 PLC</td><td>± -</td></tr> <tr><td>1 PLC</td><td>± -</td></tr> <tr><td>2 PLC</td><td>± 0.38 [.015]</td></tr> <tr><td>3 PLC</td><td>± -</td></tr> <tr><td>4 PLC</td><td>± -</td></tr> <tr><td>ANGLES</td><td>± -</td></tr> </table>		0 PLC	± -	1 PLC	± -	2 PLC	± 0.38 [.015]	3 PLC	± -	4 PLC	± -	ANGLES	± -	PRODUCT SPEC		-		
0 PLC	± -																	
1 PLC	± -																	
2 PLC	± 0.38 [.015]																	
3 PLC	± -																	
4 PLC	± -																	
ANGLES	± -																	
MATERIAL		APPLICATION SPEC		-														
BRASS		FINISH		-														
		WEIGHT	-		SIZE	CAGE CODE	DRAWING NO	RESTRICTED TO										
		CUSTOMER DRAWING		A3 00779		C-62576	-											
		SCALE		5:1		SHEET		1 OF 1										
						REV		C										