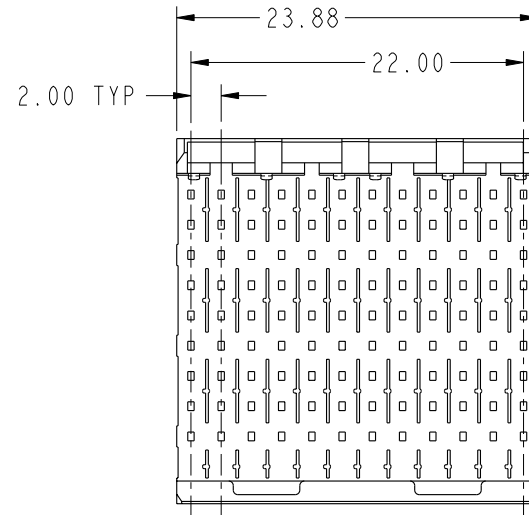
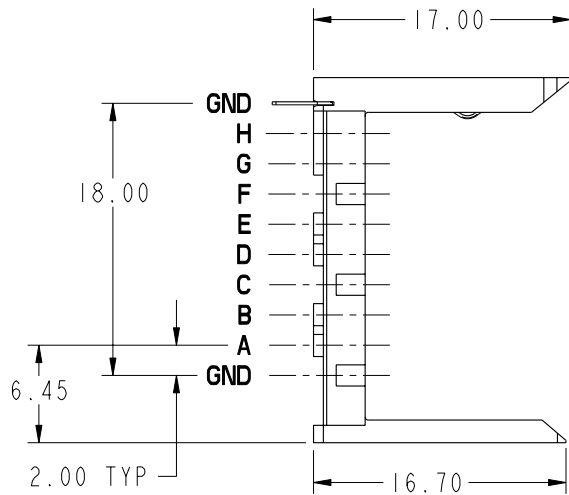
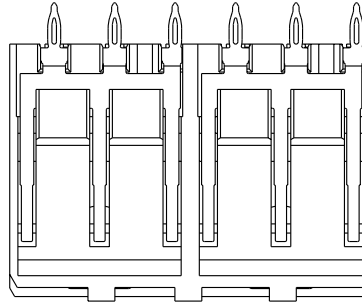




This document is the property of and embodies  
 CONFIDENTIAL and PROPRIETARY information of FCI.  
 No part of the information shown on this  
 document may be used in any way or disclosed  
 to others without the written consent of FCI.  
 Copyright FCI.

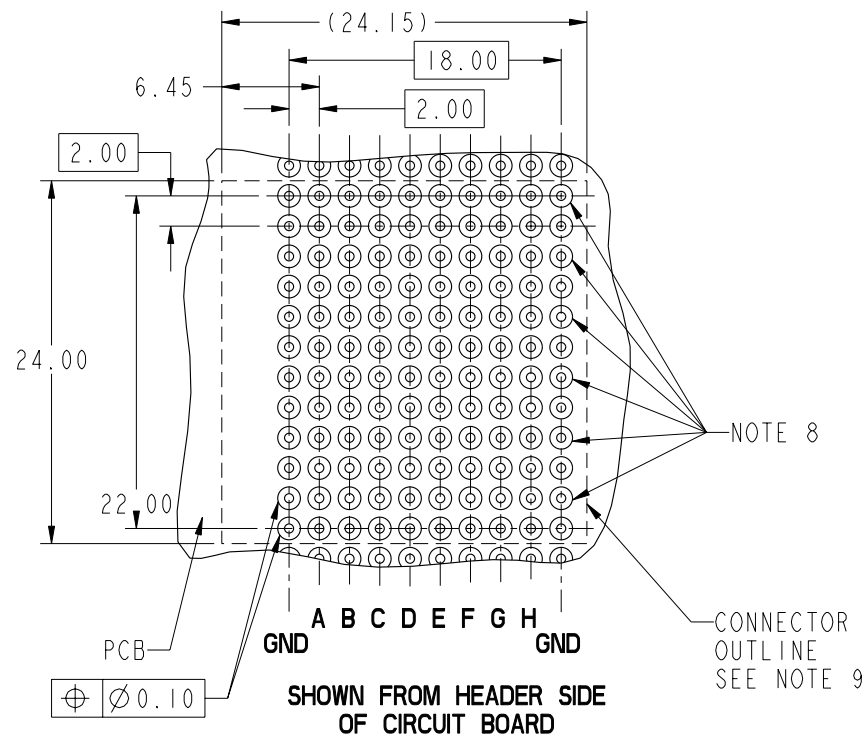
PRODUCT NUMBER	PLATING PERFORMANCE LEVEL	PRESS FIT TAIL PLATING
74993-102	TELCORDIA CO	STANDARD
74993-102LF		LEAD FREE
74993-502	TELCORDIA UE	STANDARD
74993-502LF		LEAD FREE



mat'l code SEE NOTE 5				tolerances unless otherwise specified		CUSTOMER	FCI www.fciconnect.com	
ltr	ecn no.	dr	date	linear	0.X ±0.3	COPY	title VERTICAL SIGNAL HDR SHROUD 8 ROW P.F. 96 POS. EXT.	
A	V90180	L-IV	1999-04-13		0.XX ±0.13	projection		
B	V94091	MRS	1999-11-10		.XXX ±.051			
C	VI2223	EPK	2001-09-17	angles	0° ±2°	MM	product family	METRAL 1000
D	V05-0797	VS	2005-08-31	dr	E. KROPER. 2001-09-17	scale 2:1	size	dwg no
E	V06-0644	DCH	2006-06-12	engr	J. VOLSTORF 2001-09-17		A	74993
F	V07-0180	DCH	2007-04-18	chr	J. VOLSTORF 2001-09-17		code 213	
G	V08-0046	HTB	2008-01-30	appd	J. VOLSTORF 2001-09-17		sheet 1 of 3	
sheet index	revision sheet	G 1	G 2	G 3				

PRODUCT NUMBER  
SEE SHEET 1

PRESS-FIT HOLES	OPTION 1 ROWS GND-PIN, A,B,C,D,E	OPTION 2 ROW GND-SPRING
HOLE DIAMETER AFTER PLATING	0.65-0.80	0.45-0.55
DRILLED HOLE	0.81-0.86 (0.85 DRILL)	0.60±0.02
COPPER PLATING	0.025 MIN	0.025 MIN
SnPb PLATING	0.005-0.015	0.005-0.015



This document is the property of and embodies  
 CONFIDENTIAL and PROPRIETARY information of FCI.  
 No part of the information shown on this  
 document may be used in any way or disclosed  
 to others without the written consent of FCI.  
 Copyright FCI.

mat'l code SEE NOTE 5		tolerances unless otherwise specified		CUSTOMER		FCI www.fciconnect.com	
ltr	ecm no.	dr	date	linear	0.X ±0.3	COPY	title VERTICAL SIGNAL HDR SHROUD 8 ROW P.F. 96 POS. EXT.
G				linear	0.XX ±0.13	projection	
				angles	.XXX ±.051 0° ±2°	MM	
				dr	E. KROPER. 2001-09-17	MM	product family METRAL 1000 code
				enr	J. VOLSTORF 2001-09-17	← MM →	size
				chr	J. VOLSTORF 2001-09-17	scale	dwg no
				appd	J. VOLSTORF 2001-09-17	2:1	74993
sheet index	revision sheet						213 sheet 2

PRODUCT NUMBER  
SEE SHEET 1

NOTES:

- 1. SEE APPLICATION SPECIFICATION GS-20-010 FOR INFORMATION ON AVAILABLE TOOLING, CIRCUIT BOARD DESIGN CONSIDERATIONS, REPAIR PROCEDURES AND PRODUCT OFFERINGS.
- 2. SEE FCI PUBLICATION 950511-028 FOR "ELECTRICAL PERFORMANCE DATA FOR DIFFERENTIAL APPLICATIONS."
- 3. SEE FCI PUBLICATION 950511-029 FOR "ELECTRICAL PERFORMANCE DATA FOR SINGLE-ENDED APPLICATION."
- 4. UNLESS OTHERWISE SPECIFIED, ALL DIMENSIONS AND TOLERANCES ARE IN ACCORDANCE WITH ASME Y14.5, 1994
- 5. HOUSING MATERIAL: LIQUID CRYSTAL POLYMER, 30% GLASS FILLED, FLAMERETARDANT PER UL 94-V0. GROUND SPRING MATERIAL: PHOSPHER BRONZE STRIPLINE SHIELDED MATERIAL: PHOSPHER BRONZE
- 6. PLATING INFORMATION: PLATING IN CONTACT AREA MEETS THE PERFORMANCE LEVEL SHOWN IN TABLE ON SHEET 1. PLATING ON "LF" TAILS IS Sn ONLY; PLATING ON ALL OTHER TAILS IS SnPb.
- 7. THE MIN PCB THICKNESS FOR REAR PLUG-UP APPLICATIONS IS 2.9mm SINCE THE COMPLIANT SECTIONS OF THE GROUND SPRING OF THE HEADER DIRECTLY OPPOSE THE GROUND SPRING OF THE SHROUD.
- 8. THESE HOLES ARE NEEDED FOR REAR PLUG-UP DESIGNS USING A SHROUD. ALL OTHER HOLES ARE FOR THE HEADER.
- 9. THE 'SHROUD OUTLINE' IS THE MIN OUTLINE REQUIRED. TO DETERMINE THE OUTLINE NECESSARY TO PERMIT THE VARIOUS TYPES OF REPAIR OPERATIONS, SEE APPLICATION SPECIFICATION GS-20-010.
- 10. CURRENT RATING: 1 AMP PER PIN
- 11. TEMPERATURE RANGE: -55°C TO +105°C
- 12. PRODUCTS WHERE THE PART NUMBERS ENDS IN LF MEET EUROPEAN UNION DIRECTIVES AND OTHER COUNTRY REGULATIONS AS DESCRIBED IN GS-22-008. FOR LEAD FREE PART NUMBERS, ADD 'LF' SUFFIX EXAMPLE: 74993-X02LF
- 13. ALL PRODUCTS WILL WITHSTAND EXPOSURE TO 260°C FOR 60 SECONDS IN A CONVECTION, INFRA-RED OR VAPOR PHASE REFLOW OVEN.



This document is the property of and embodies CONFIDENTIAL and PROPRIETARY information of FCI. No part of the information shown on this document may be used in any way or disclosed to others without the written consent of FCI. Copyright FCI.

mat'l code SEE NOTE 5				tolerances unless otherwise specified			CUSTOMER		FCI www.fciconnect.com		
ltr	ecr no.	dr	date	linear	0.X ±0.3		COPY		title VERTICAL SIGNAL HDR SHROUD 8 ROW P.F. 96 POS. EXT.		
G					0.XX ±0.13		projection				
					.XXX ±.051						
				angles	0° ±2°						
				dr	E. KROPER.	2001-09-17	MM		product family	METRAL 1000	code
				enr	J. VOLSTORF	2001-09-17			size	dwg no	213
				chr	J. VOLSTORF	2001-09-17	scale		A	74993	sheet
				appd	J. VOLSTORF	2001-09-17	2:1				3
sheet index	revision sheet										