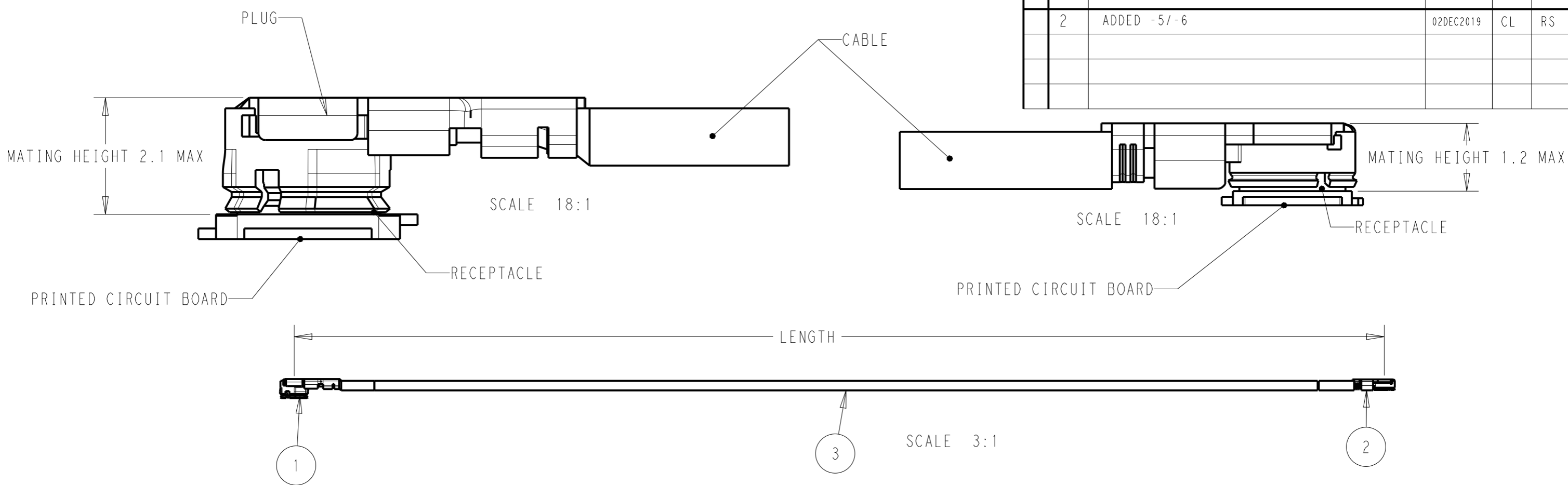


P	LTR	DESCRIPTION	DATE	DWN	APVD
2		ADDED -5/-6	02DEC2019	CL	RS



THIS PRINT IS  
**PRELIMINARY**  
UNQUALIFIED PRODUCT  
CONTACT PRODUCT ENGINEERING  
BEFORE USING THIS PRINT

1-2016677-0	220±3
2016677-9	170±3
2016677-8	120±3
2016677-7	70+3
2016677-6	350±3
2016677-5	250±3
2016677-4	80±3
2016677-3	50±3
2016677-2	80±3
2016677-1	50+3
PART NUMBER	LENGTH

- NOTES:
- MATERIAL AND PROCESSING MUST MEET REQUIREMENTS OF TEC-138-702
  - UMCC GEN2 AND GEN4 MATING HEIGHT AS SHOW
  - PRODUCT RATING:  
 TEMPERATURE: -45°C TO +85°C  
 VOLTAGE: 30V (RMS)  
 CHARACTERISTIC IMPEDANCE: 50 OHMS Normal  
 FREQUENCY RANGE: DC TO 6GHz  
 BEND RADIUS: 4.5MM MIN
  - CABLE ASSEMBLY TO BE 100% SI TESTED  
 VSWR:  
 1.3:1 MAX @ DC~1000MHz  
 1.5:1 MAX @ 1000~4000MHz  
 2.0:1 MAX @ 4000~6000MHz  
 INSERT LOSS:  
 (5.30\*LENGTH+0.4)dB MAX @2GHz  
 LENGTH UNIT IS METER IN THE FORMULA
  - UMCC CAN MATE WITH I-PEX MHF SERIES AND HIROSE U.FL SERIES

Q'TY	UNIT	DESCRIPTION	ITEM
1	PC	COAXIAL CABLE, 0.81MM, 500HM, BLACK	3
1	PC	UMCC PLUG, GEN4, FOR 0.81 CABLE	2
1	PC	UMCC PLUG, GEN2, FOR 0.81 CABLE	1

THIS DRAWING IS A CONTROLLED DOCUMENT.		DWN	22MAR2019	<b>TE</b> TE Connectivity											
DIMENSIONS: mm		CHK	-												
TOLERANCES UNLESS OTHERWISE SPECIFIED:		APVD	-												
<table border="0"> <tr><td>0 PLC</td><td>±-</td></tr> <tr><td>1 PLC</td><td>±0.1</td></tr> <tr><td>2 PLC</td><td>±0.01</td></tr> <tr><td>3 PLC</td><td>±0.001</td></tr> <tr><td>4 PLC</td><td>±0.0001</td></tr> <tr><td>ANGLES</td><td>±-</td></tr> </table>		0 PLC	±-			1 PLC	±0.1	2 PLC	±0.01	3 PLC	±0.001	4 PLC	±0.0001	ANGLES	±-
0 PLC	±-														
1 PLC	±0.1														
2 PLC	±0.01														
3 PLC	±0.001														
4 PLC	±0.0001														
ANGLES	±-														
MATERIAL TBD material_2		FINISH	-	NAME RF CA, UMCC GEN2-GEN4, 0.81, BK											
finish_spec_2		WEIGHT	-	SIZE	A3										
CUSTOMER DRAWING		SCALE 1:1		CAGE CODE	00779										
		SHEET 1 OF 1		DRAWING NO	C-2016677										
		REV 3		RESTRICTED TO											