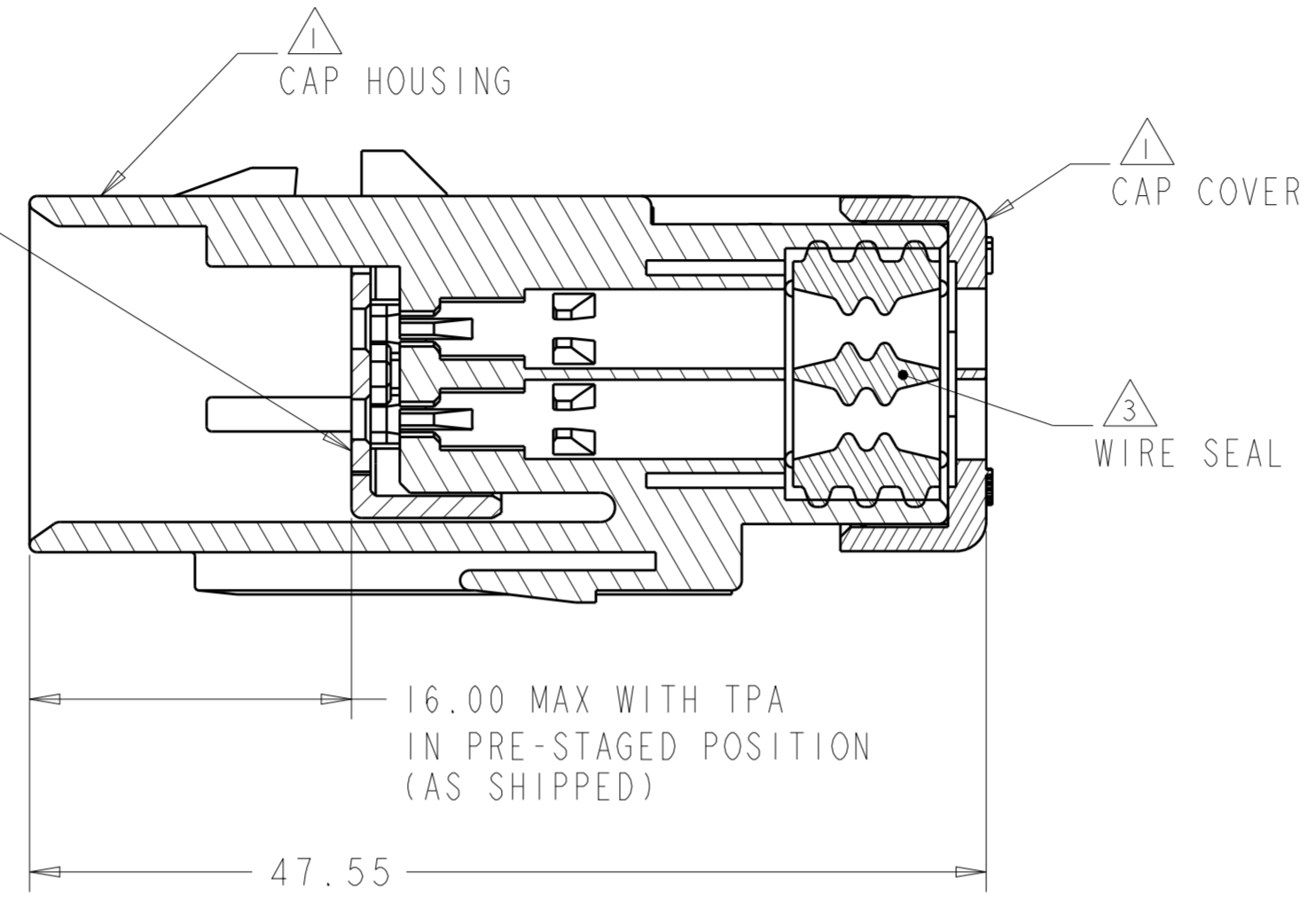
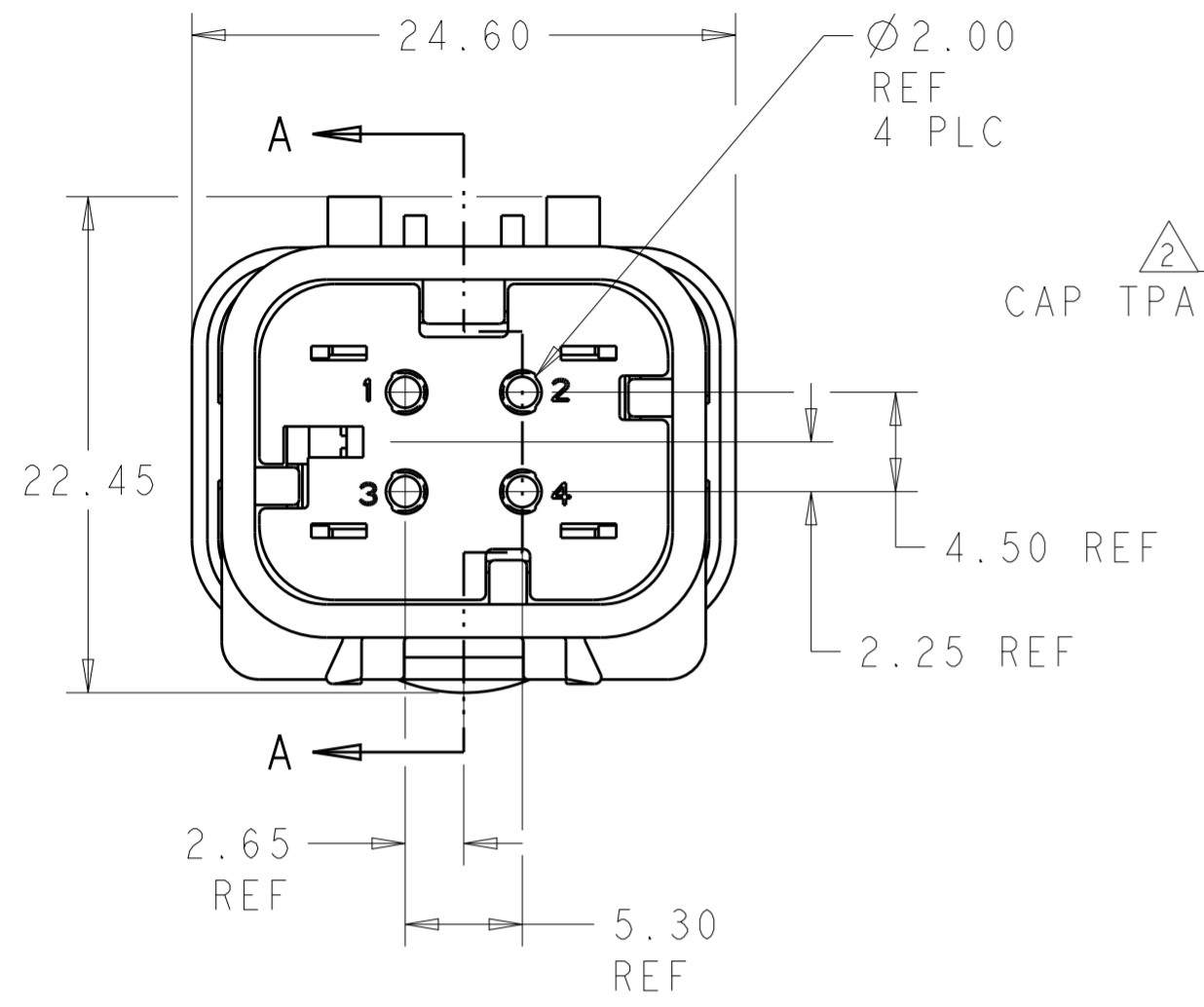


THIS DRAWING IS UNPUBLISHED
 RELEASED FOR PUBLICATION
 20
 COPYRIGHT 20 BY - ALL RIGHTS RESERVED.

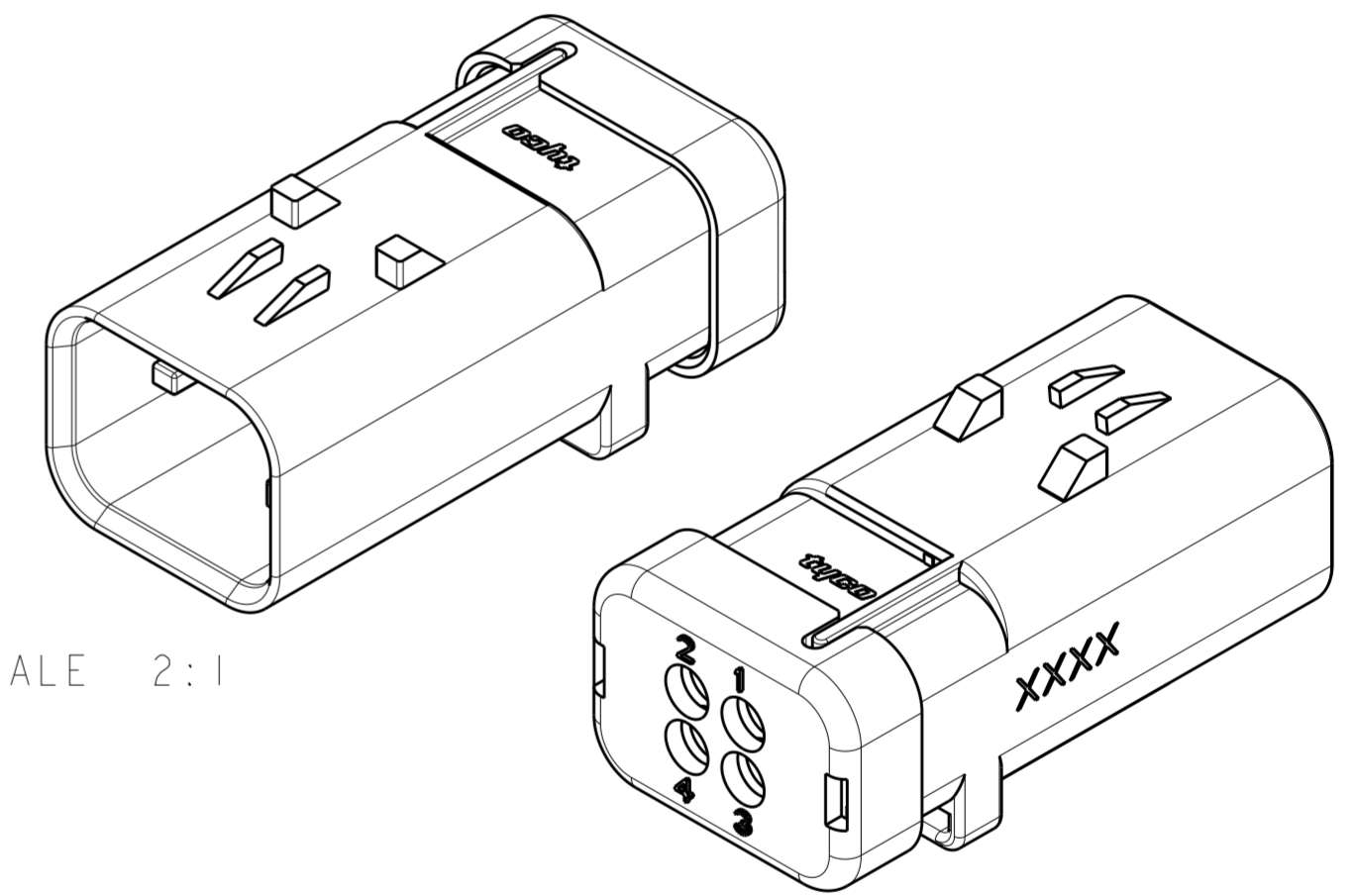
REVISIONS					
P	LTR	DESCRIPTION	DATE	DWN	APVD
A		RELEASED PER ECO-09-026562	30NOV2009	DD	RB
B		REVISED PER ECO-13-019865	27DEC2013	DR	RB



- ① HOUSING AND COVER MATERIAL: 25% GLASS FILLED THERMOPLASTIC; COLOR: NATURAL (BROWN)
- ② TPA MATERIAL: 20% GLASS FILLED THERMOPLASTIC, COLOR: (SEE TABLE)
- ③ WIRE SEAL MATERIAL: SILICONE COLOR: GREEN
- 4. RECOMMENDED WIRE DIAMETER RANGE IS 2.18 TO 3.67mm

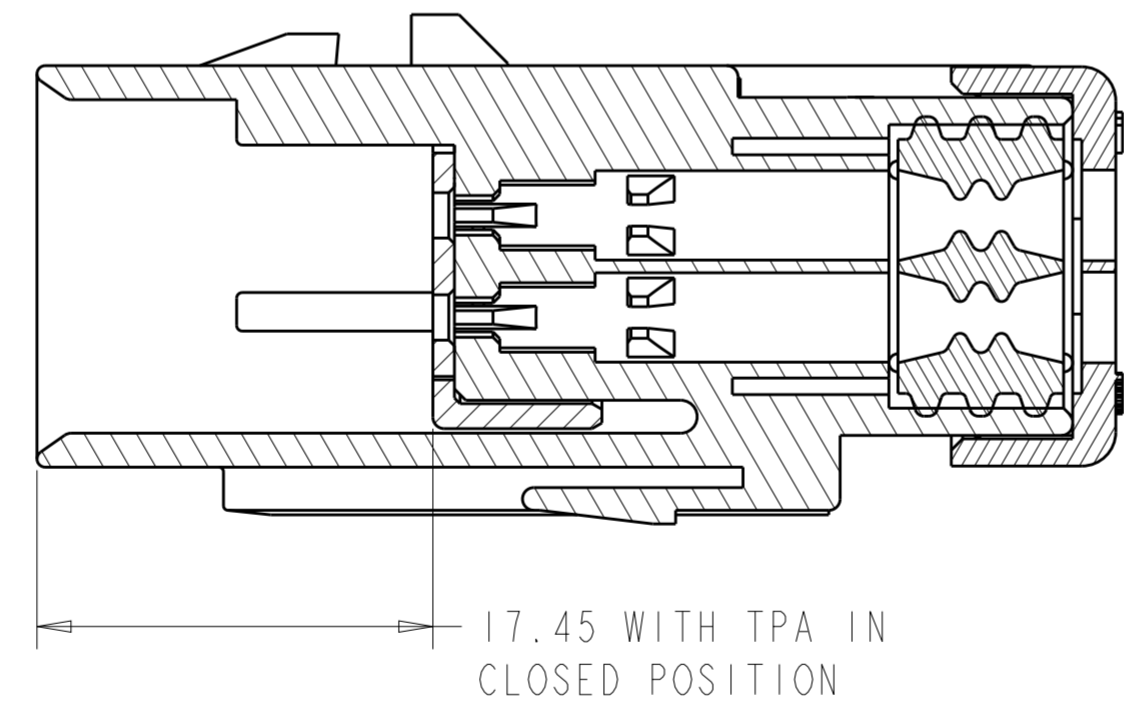
2035379-1 SHOWN
 ORANGE TPA
 KEY A

SECTION A-A
 OPEN POSITION



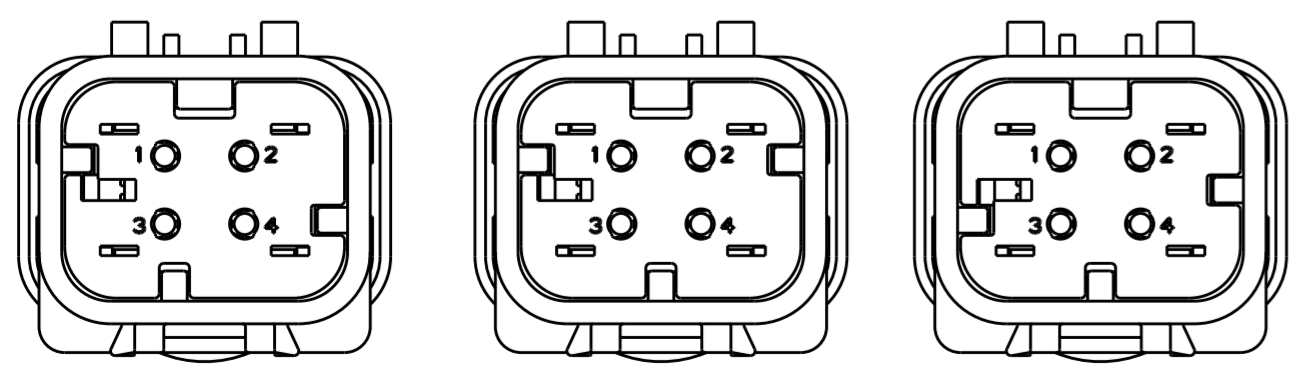
SCALE 2:1

SCALE 2:1



SECTION A-A
 CLOSED POSITION

D	TAN	2035379-4
C	BLUE	2035379-3
B	PURPLE	2035379-2
A	ORANGE	2035379-1
KEY	TPA COLOR	PART NUMBER



2035379-2 PURPLE TPA KEY B SCALE 2:1
 2035379-3 BLUE TPA KEY C SCALE 2:1
 2035379-4 TAN TPA KEY D SCALE 2:1

THIS DRAWING IS A CONTROLLED DOCUMENT.		DWN 14 JUL 2009 RUSTY WORTHINGTON	TE Connectivity
DIMENSIONS: mm		CHK 14 JUL 2009 ROGER BALTER	
TOLERANCES UNLESS OTHERWISE SPECIFIED:		APVD 14 JUL 2009 ROGER BALTER	NAME
0 PLC ±		PRODUCT SPEC	CAP ASSEMBLY, 4 POSITION, DUAL ROW, AMPSEAL 16 VO MATERIAL
1 PLC ±0.5		108-2184	SIZE
2 PLC ±0.30		APPLICATION SPEC	CAGE CODE
3 PLC ±		114-13065	DRAWING NO
4 PLC ±		WEIGHT 14±1g	RESTRICTED TO
ANGLES ±1°		CUSTOMER DRAWING	A200779
FINISH		SCALE 3:1	SHEET 1 OF 1
① ② ③		REV B	