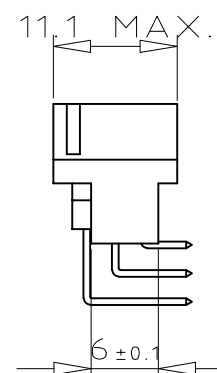
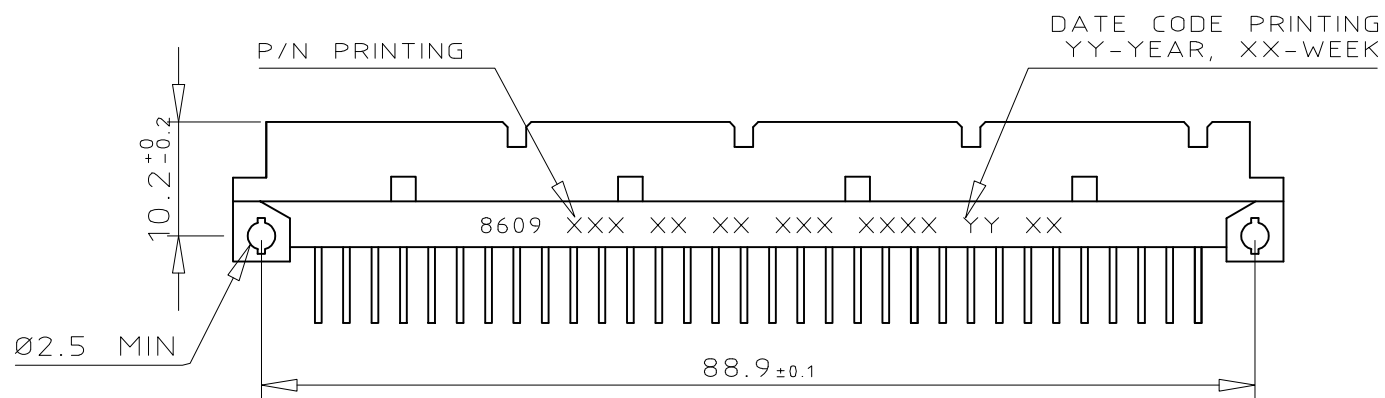
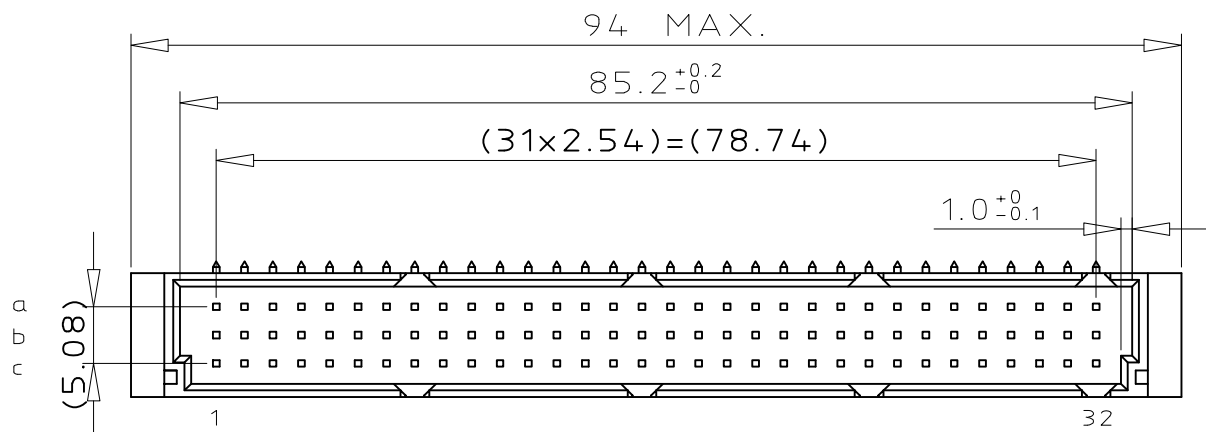
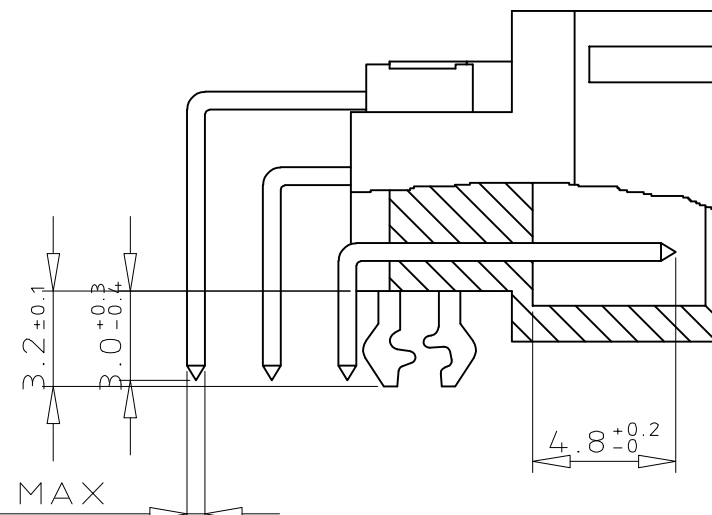


DIMENSIONS



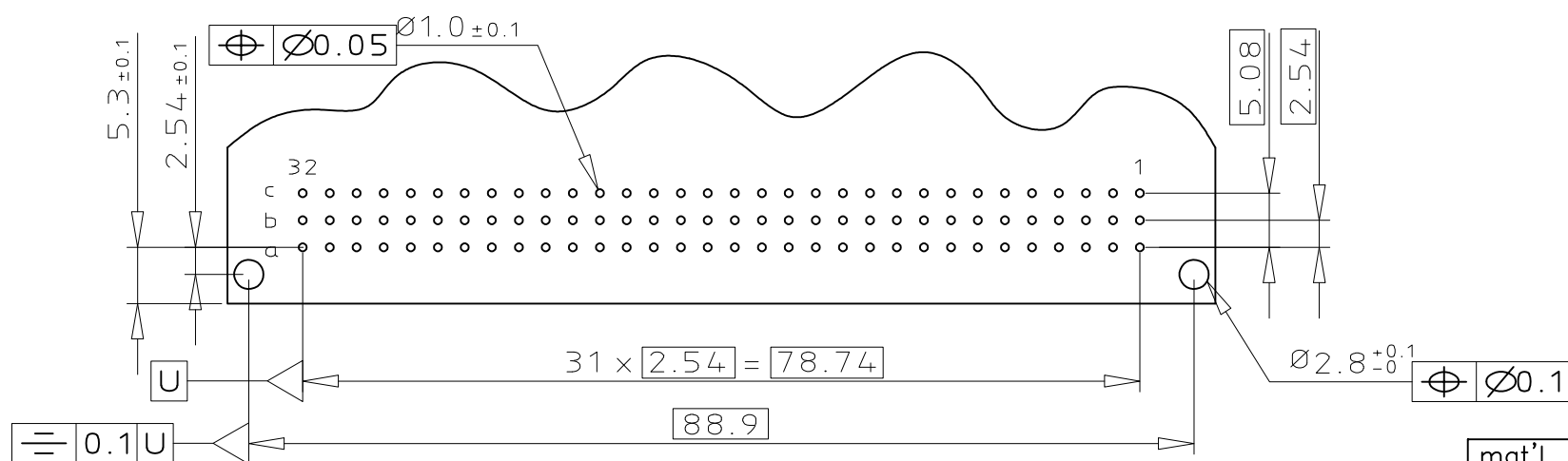
TERMINATION



ORDERING INFORMATION

SERIES	8609	3	96	7	1	13	7	4	5	ELF
ROWS FITTED WITH CONTACTS										
ROW a - b - c 3									
ROW a - b - c 4									
ROW a - b - c 5									
NO. OF CONTACTS										
TYPE OF INSULATOR										
3 ROW MALE INSULATOR 7									
METHOD OF MOUNTING										
STANDARD MOUNTING - STYLE C 1									
TERMINATION										
ANGLED SPILL 13									
OPTIONS										
NO OPTION 7									
WITH HARPOONS H									
PERFORMANCE CLASS										
DIN 41612 CLASS 3 4									
DIN 41612 CLASS 2 5									
DIN 41612 CLASS 1 6									
AS PER MIL C 55302 / JSS 50808 8									
PITCH PER ROW										
2.54 mm 5									
LEAD FREE VERSION ELF									

PCB LAYOUT



GENERAL CHARACTERISTICS & RoHS INFO

REFER DRAWING C-8609-0000A

mat'l. code	surface	tolerance	projection	product family
SEE DRAWING C-8609-0000A	ISO 1302 ✓	ISO 406 ISO 1101		8609
ltr	ecn no	dr	date	title
A	104-0063	MINI	2004-09-16	DIN STANDARD HEADER DIN 41612 STYLE C
B	105-0042	MINI	2005-05-19	
C	106-0061	MINI	2006-05-31	
D	107-0100	KR	2007-08-20	dr
E	108-0146	KR	2008-10-21	enr
F	ELX-I-40686	MJA	2021-04-19	chr
				appd
sheet index	revision	F		
	sheet	1		
				Amphenol FCI
				dwg no
				C-8609-2001
				sheet 1 of 1
				size
				A3
				type
				Product Customer Drawing