

NOTES

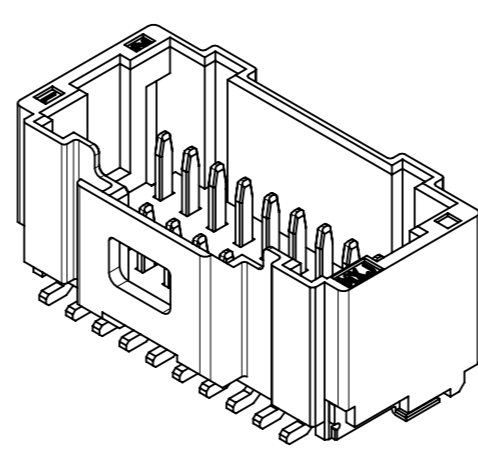
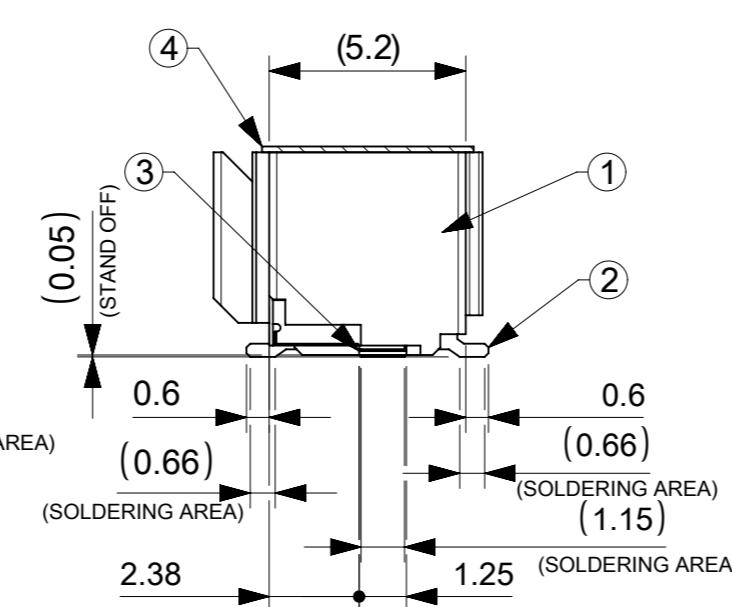
- 1 材料及び仕上げ(めっき仕様) : TABLE 1 参照
MATERIAL AND FINISHES : SEE TABLE 1
- 2 製品仕様書 : 5011890000-PS PS 002
PRODUCT SPECIFICATION:
- 3 梱包形態 : SEE SHEET 3
PACKAGING INFORMATION:
- 4 嵌合相手 : 501189 シリーズ
MATES WITH:501189 SERIES
- 5 アプリケーション仕様書(コネクタ取扱い説明書) : 5011890000-AS PS 001
APPLICATION SPECIFICATION(CONNECTOR MANUAL):
- 6 ソルダピン及びネイルの平坦度:0.1 mm MAX
SOLDER PIN AND NAIL COPLANARITY:
- 7 極数/2=偶数に適応
APPLICABLE FOR CIRCUIT SIZE/2 = EVEN
- 8 製品番号構成 : 発注番号はTABLE 2 参照
PRODUCT NUMBER COMPOSITION
ORDER No. : SEE TABLE 2

208391 ** ** *

極数 CIRCUIT SIZE	ハウジングカラー HOUSING COLOR	製品識別番号(めっき厚) IDENTIFICATION NUMBER (PLATING THICKNESS)
	0:NATURAL(BEIGE)	7: 0.1 MICRO-METER MIN
	1:BLACK	5: 0.38 MICRO-METER MIN
		3: 0.76 MICRO-METER MIN

1 TABLE 1

番号 NO.	部品 PART	材質 MATERIAL	
1	ウエハー WAFER	ポリアミド(PA), ガラス充填, UL94V-0, LOW HALOGEN, 色 : SEE TABLE 2 POLYAMIDE(PA), GLASS FILLED, UL94V-0, LOW HALOGEN, COLOR : SEE TABLE 2	
2	ソルダーピン SOLDER PIN	リン青銅 PHOSPHOR BRONZE	
		接点部 CONTACT AREA	金めっき : めっき厚はNOTES 8参照 GOLD PLATING : SEE NOTES 8 ABOUT THICKNESS
		テール部 TAIL AREA	金めっき GOLD PLATING
3	ネイル NAIL	リン青銅 PHOSPHOR BRONZE	
		テール部 TAIL AREA	無光沢錫めっき : 1.0 MICRO-METER MIN MATTE TIN PLATING
4	カバーテープ COVER TAPE	下地めっき UNDER PLATING	ニッケルめっき : 1.0 MICRO-METER MIN NICKEL PLATING
		ポリイミドテープ POLYIMIDE TAPE	

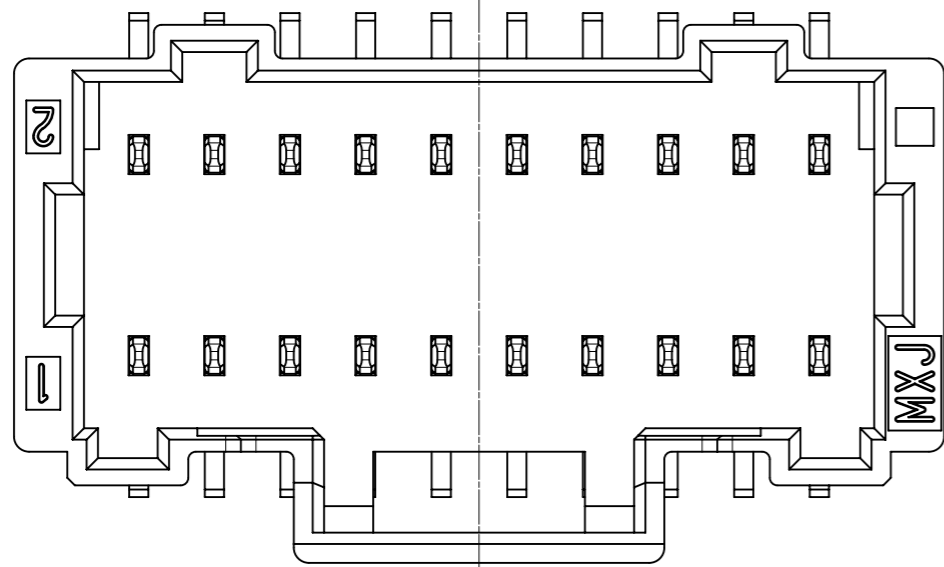


8 TABLE 2

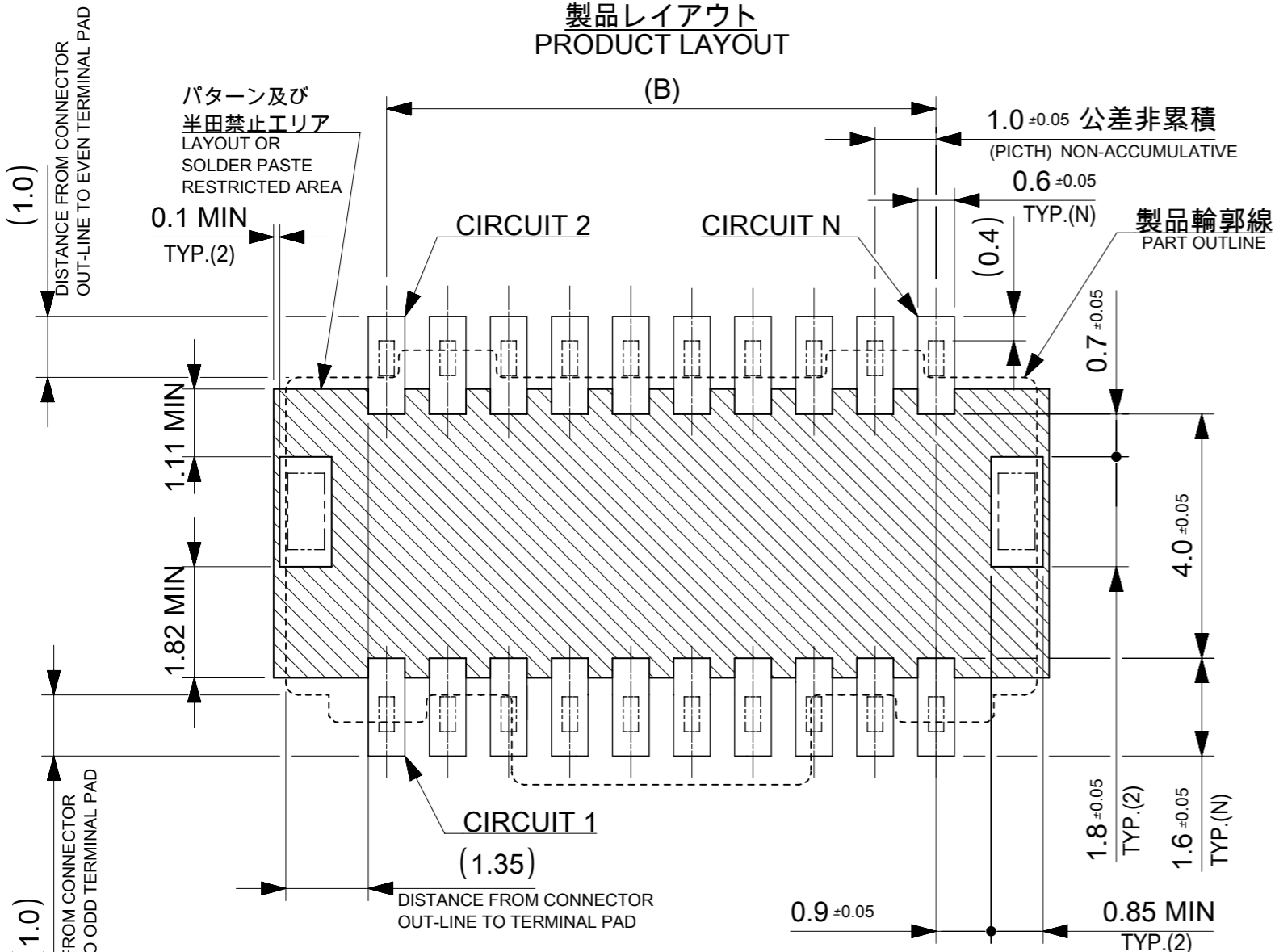
			HOUSING COLOR		
			BLACK	NATURAL(BEIGE)	
26.8	24.0	27.3	208391 501*	208391 500*	50
21.8	19.0	22.3	208391 401*	208391 400*	40
16.8	14.0	17.3	208391 301*	208391 300*	30
11.8	9.0	12.3	208391 201*	208391 200*	20
C	B	A	発注番号 ORDER No.		極数 CIRCUIT SIZE
極数別寸法 DIMENSION			梱包形態 : インボスリール PACKAGE:EMBOSSED REEL		

THIS DRAWING CONTAINS INFORMATION THAT IS PROPRIETARY TO MOLEX ELECTRONIC TECHNOLOGIES, LLC AND SHOULD NOT BE USED WITHOUT WRITTEN PERMISSION

DIMENSION UNITS mm	SCALE NTS	CURRENT REV DESC:	molex		
GENERAL TOLERANCES (UNLESS SPECIFIED)					
ANGULAR TOL	± 3.0°	EC NO: 639499	PICO-CLASP 1.0 W/B DUAL ROW VT SMT GOLD PLATING LOW HALOGEN		
4 PLACES	± 0.2	DRWN: AISHIKAWA	PRODUCT CUSTOMER DRAWING		
3 PLACES	± 0.2	CHK'D: AIDA	DOCUMENT NUMBER		
2 PLACES	± 0.2	APPR: SAKIYAMA	2083910000-SD		DOC TYPE
1 PLACE	± 0.2	INITIAL REVISION:	2019/09/18		DOC PART
0 PLACES	± 0.2	DRWN: AISHIKAWA	2020/06/19		REVISION
DRAFT WHERE APPLICABLE MUST REMAIN WITHIN DIMENSIONS		THIRD ANGLE PROJECTION	2019/09/18		
		DRAWING	2020/06/19		
		SERIES	208391		
		MATERIAL NUMBER			
		CUSTOMER			
		SHEET NUMBER			

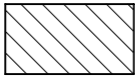


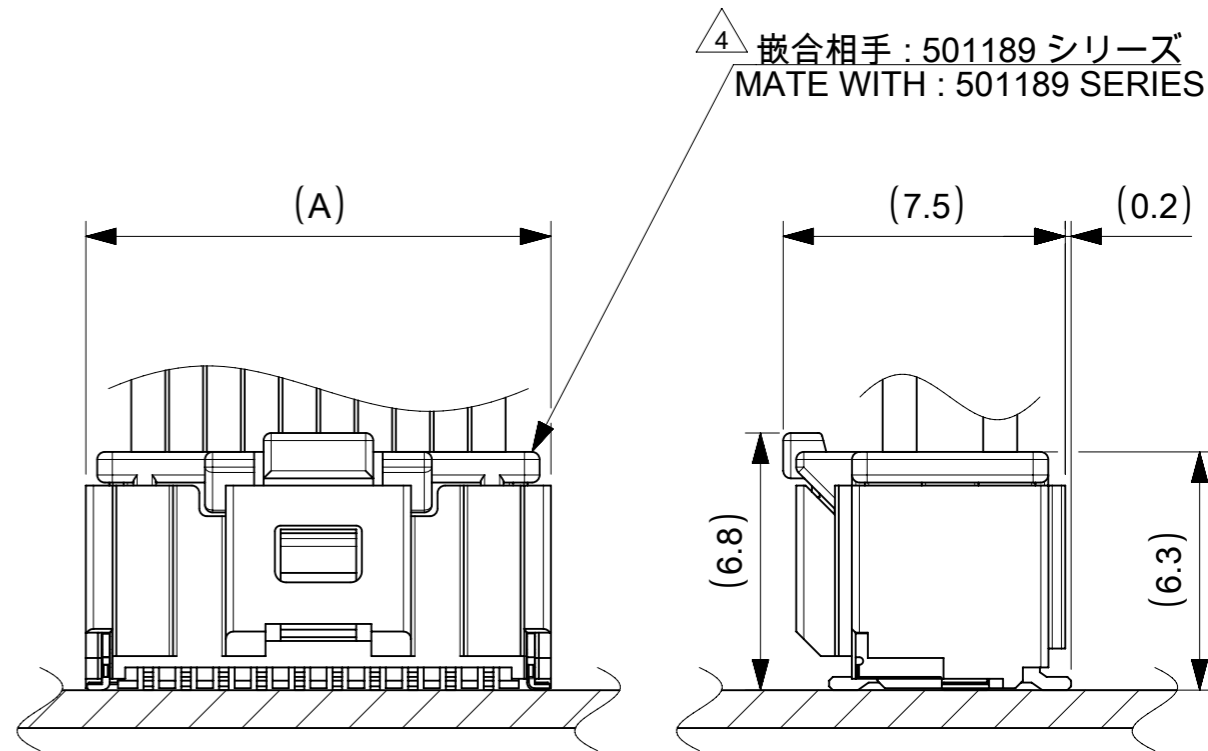
製品レイアウト
PRODUCT LAYOUT



推奨基板レイアウト(全極数適応) : 実装面側
(参考 : 基板厚 1.0mm, メタルマスク厚さ 0.12mm, マスク開口率100%)

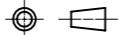
POLARIZED RECOMMENDED PCB LAYOUT (APPLY TO ALL CIRCUIT) : COMPONENT SIDE
(REFERENCE: PCB THICKNESS 1.0mm, STENCIL THICKNESS 0.12mm, APERTURE RATIO 100%)

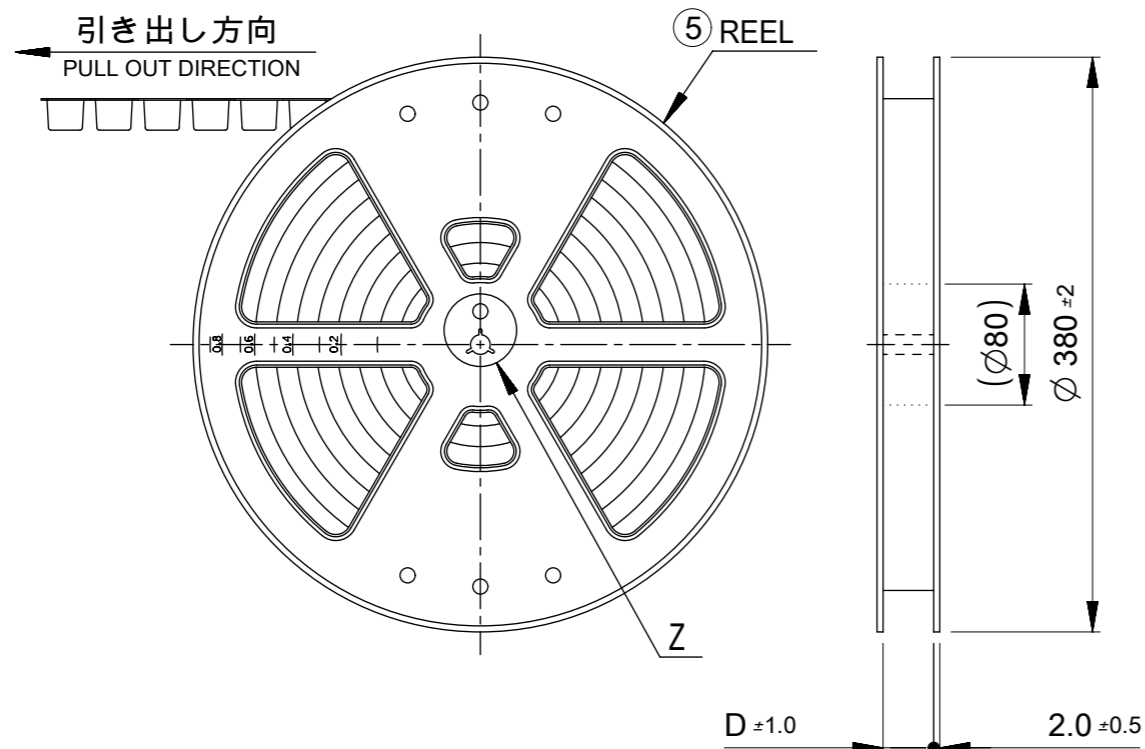
 :パターン禁止エリア
RESTRICTED AREA
NO PCB COMPONENTS ALLOWED



嵌合図
MATED CONNECTORS

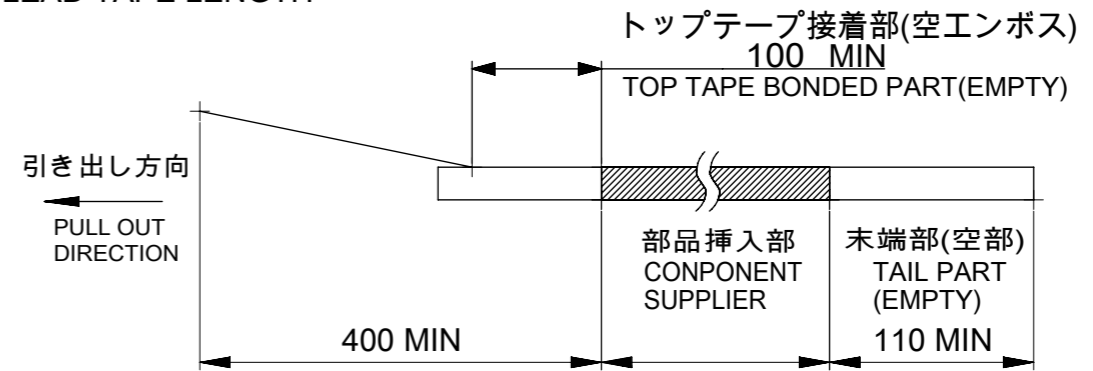
4 嵌合相手 : 501189 シリーズ
MATE WITH : 501189 SERIES

THIS DRAWING CONTAINS INFORMATION THAT IS PROPRIETARY TO MOLEX ELECTRONIC TECHNOLOGIES, LLC AND SHOULD NOT BE USED WITHOUT WRITTEN PERMISSION		CURRENT REV DESC:		molex	
DIMENSION UNITS	SCALE				
mm	NTS			PICO-CLASP 1.0 W/B DUAL ROW VT SMT GOLD PLATING LOW HALOGEN	
GENERAL TOLERANCES (UNLESS SPECIFIED)				PRODUCT CUSTOMER DRAWING	
ANGULAR TOL ± 3.0 °				DOCUMENT NUMBER	
4 PLACES ± 0.2	EC NO: 639499			2083910000-SD	
3 PLACES ± 0.2	DRWN: AISHIKAWA	2019/09/18		DOC TYPE	DOC PART
2 PLACES ± 0.2	CHK'D: AIDA	2020/06/19		PSD	000
1 PLACE ± 0.2	APPR: SAKIYAMA	2020/06/19		REVISION	A
0 PLACES ± 0.2	INITIAL REVISION:				
DRAFT WHERE APPLICABLE MUST REMAIN WITHIN DIMENSIONS		THIRD ANGLE PROJECTION	DRAWING	SERIES	MATERIAL NUMBER
			A3-SIZE	208391	CUSTOMER
				SHEET NUMBER	
				2 OF 4	

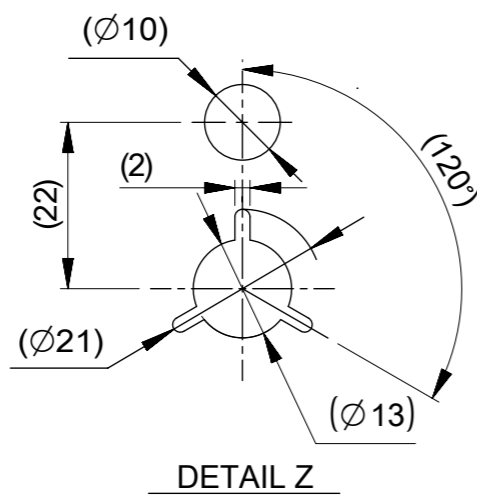


NOTES

- 9. 梱包数量:1100個/リール
NUMBER OF CONNECTORS : 1100 PIECES/REEL
- 10. リードテープ長さ
LEAD TAPE LENGTH



- 11. トップテープの剥離強度はIEC60286-3に準拠。
TOP TAPE PEELING FORCE IS DEFINED BY IEC60286-3.
- 12. 梱包仕様書 : 2083919200 PS 200
PACKAGE SPECIFICATION:



45.5	50
	40
33.5	30
25.5	20
D	極数 CIRCUIT SIZE

THIS DRAWING CONTAINS INFORMATION THAT IS PROPRIETARY TO MOLEX ELECTRONIC TECHNOLOGIES, LLC AND SHOULD NOT BE USED WITHOUT WRITTEN PERMISSION		CURRENT REV DESC:		molex	
DIMENSION UNITS	SCALE	EC NO: 639499			
mm	NTS	DRWN: AISHIKAWA 2019/09/18		PICO-CLASP 1.0 W/B	
GENERAL TOLERANCES (UNLESS SPECIFIED)		CHK'D: AIDA 2020/06/19		DUAL ROW VT SMT GOLD PLATING	
ANGULAR TOL	± 3.0 °	APPR: SAKIYAMA 2020/06/19		LOW HALOGEN	
4 PLACES	± 0.2	INITIAL REVISION:		PRODUCT CUSTOMER DRAWING	
3 PLACES	± 0.2	DRWN: AISHIKAWA 2019/09/18		DOCUMENT NUMBER	DOC TYPE
2 PLACES	± 0.2	APPR: SAKIYAMA 2020/06/19		2083910000-SD	PSD
1 PLACE	± 0.2	DRAFT WHERE APPLICABLE MUST REMAIN WITHIN DIMENSIONS		000	REVISION
0 PLACES	± 0.2	THIRD ANGLE PROJECTION	DRAWING	SERIES	A
			A3-SIZE	208391	SHEET NUMBER
				CUSTOMER	3 OF 4

番号 NO.	部品 PART	材質 MATERIAL
⑤	リール REEL	ポリスチレン(PS) <リサイクル材を含む> POLYSTYRENE(PS) <RECYCLE MATERIAL CONTAINED>
DOCUMENT STATUS	P1	RELEASE DATE 2020/06/19 11:24:35

44mm幅テープ
TAPE WIDTH:44mm

32mm幅テープ
TAPE WIDTH:32mm

24mm幅テープ
TAPE WIDTH:24mm

⑦ TOP TAPE

CIRCUIT 1

CIRCUIT 2

CONNECTOR

⑥ CARRIER TAPE

SECTION Y-Y

SECTION X-X

DETAIL W

12.0 ±0.1

W

Y

X

X

(G)

(F)

コネクタ中心位置
CENTER OF CONNECTOR

E ±0.1

D ±0.3

0.5 ±0.05

(6.9)

(5.8)

(6.8)

(R0.75)

1.5 ±0.1
0.0

0.2 ±0.15
-0.05

Ø 1.5 ±0.1
0.0

(3.45)

(6.9)

(2.0) エンボスポケット中心位置
CENTER OF EMBOSSED POCKET

累積ピッチ : 40 ±0.2
ACUUMLATIVE PITCH:

4.0 ±0.1

引き出し方向
PULL OUT DIRECTION

27.6	20.2	40.4	44.0	50
22.6				40
17.6	14.2	28.4	32.0	30
12.6	11.5	-	24.0	20
G	コネクタ中心位置 F CENTER OF CONNECTOR	E	エンボステープ幅 D WIDTH OF TAPE	極数 CIRCUIT SIZE

THIS DRAWING CONTAINS INFORMATION THAT IS PROPRIETARY TO MOLEX ELECTRONIC TECHNOLOGIES, LLC AND SHOULD NOT BE USED WITHOUT WRITTEN PERMISSION		CURRENT REV DESC:		molex	
DIMENSION UNITS	SCALE				
mm	NTS			PICO-CLASP 1.0 W/B DUAL ROW VT SMT GOLD PLATING LOW HALOGEN	
GENERAL TOLERANCES (UNLESS SPECIFIED)				PRODUCT CUSTOMER DRAWING	
ANGULAR TOL	± 3.0 °			DOCUMENT NUMBER	
4 PLACES	± 0.2	EC NO: 639499		DOC TYPE	
3 PLACES	± 0.2	DRWN: AISHIKAWA		DOC PART	
2 PLACES	± 0.2	CHK'D: AIDA		REVISION	
1 PLACE	± 0.2	APPR: SAKIYAMA		2083910000-SD	
0 PLACES	± 0.2	INITIAL REVISION:		PSD 000 A	
DRAFT WHERE APPLICABLE MUST REMAIN WITHIN DIMENSIONS		THIRD ANGLE PROJECTION	DRAWING	SERIES	MATERIAL NUMBER
			A3-SIZE	208391	CUSTOMER
					SHEET NUMBER
					4 OF 4

番号 NO.	部品 PART	材質 MATERIAL
⑥	キャリアテープ CARRIER TAPE	ポリプロピレン(PP)、その他 POLYPROPYLEN(PP), etc
⑦	トップテープ TOP TAPE	ポリエチレン(PE)、その他 POLYETHYLENE(PE), etc

DOCUMENT STATUS	P1	RELEASE DATE	2020/06/19	11:24:35
-----------------	----	--------------	------------	----------