



LAYOUT SHOWN AS EXAMPLE

Keying Shown as example

**CHARACTERISTICS**

- Standard : Based on MIL-DTL-38999 Series III
- Shell Material : Composite
- Shell Plating : Nickel
- Insulator : Thermoplastic
- Contacts : Copper Alloy
- Seals & Grommet : Silicon Elastomer
- Contact Plating : Gold over copper Alloy 0.8µm minimum
- Durability : 500 Mating cycles
- Delivered without Souriau contacts
- Temperature Range : -65°C to +200°C
- Salt Spray : 2000 hours
- Mass : 7.9 g ± 10%

| Connector dimension |             |
|---------------------|-------------|
| Dim                 | Nominal     |
| P                   | 3.25±0.2    |
| PP                  | 5.49±0.2    |
| R1                  | 18.26       |
| R2                  | 15.09       |
| S                   | 23.8±0.3    |
| V'                  | 19.5+1.4/-0 |
| W'                  | 2.1/3.65    |
| Z'                  | 32 Max      |
| VV THREAD           | M12x1-6g    |

SOURIAU shall not be liable for any non-conformity or damage due to a use of the Products which does not comply with the Specifications issued by either of the Parties or by a third party (professional recommendation, technical notice.)

| Country | Jurisdiction & Control List |
|---------|-----------------------------|
| FR      | Not Listed                  |

**PN: 8D009M35SBL**

|                |                                       |                                |   |
|----------------|---------------------------------------|--------------------------------|---|
| A              | 03-10-2016                            | First Release                  |   |
| ISS            | DATE                                  | Latest modification - by       | MOD N°  |
| Designed By:   |                                       | Date:                          | <b>CUSTOMER DRAWING</b>   |
| <b>TITLE</b>   | <b>Composite Receptacle 8D series</b> |                                |   |
| SCALE          | NA                                    | General linear Tolerances: ±-- | NPRDS / PROJECT<br><b>859</b>   |
| <b>SOURIAU</b> | <b>WWW.SOURIAU.COM</b>                |                                | This document is the property of SOURIAU it must not be reproduced or communicated without permission |
| FORMAT         | <b>A3</b>                             |                                | <b>SOURIAU DRG N° 8D009M35SBL-C</b>   |
|                |                                       |                                | SHEET<br>1/2  |

|                |                          |   |   |    |   |    |   |   |   |                                    |
|----------------|--------------------------|---|---|----|---|----|---|---|---|------------------------------------|
| BASIC SERIES:  | 8D                       | 0 | - | 09 | M | 35 | S | B | L | Delivered W/O Contacts             |
| SHELL TYPE :   | Square Flange Receptacle |   |   |    |   |    |   |   |   | ORIENTATION : B                    |
| CONTACT TYPE : | Standard Crimp Contact   |   |   |    |   |    |   |   |   | CONTACT TYPE : SOCKET(500 Matings) |
| SHELL SIZE :   | 09                       |   |   |    |   |    |   |   |   | CONTACT LAYOUT : 09-35             |
| PLATING :      | M = Nickel               |   |   |    |   |    |   |   |   |                                    |

Contact Layout

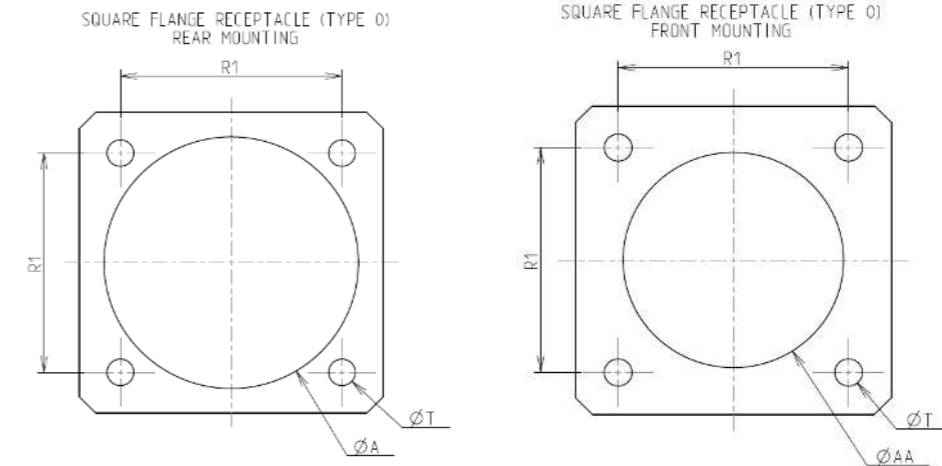


| Contacts<br>(Insert arrangement 9-35) |                  |             |                  |
|---------------------------------------|------------------|-------------|------------------|
| Contact position ID                   | Contact location |             | Contact location |
|                                       | X-axis (mm)      | Y-axis (mm) |                  |
| 1                                     | +045 (1.14)      | +078 (1.98) |                  |
| 2                                     | +078 (1.98)      | -045 (1.14) |                  |
| 3                                     | +000 (0.00)      | -090 (2.29) |                  |
| 4                                     | -078 (1.98)      | -045 (1.14) |                  |
| 5                                     | -045 (1.14)      | +078 (1.98) |                  |
| 6                                     | +000 (0.00)      | +000 (0.00) |                  |

(Applicable to MIL-DTL-38999 and SAE-AS29600)

| Shell size | Arrangement no. | Number of contacts | Size contacts | Service rating | Contact location | Supersedes |
|------------|-----------------|--------------------|---------------|----------------|------------------|------------|
| 9          | -35             | 6                  | 22D           | M              | All              | MS27525-35 |

Panel Cutout



| Dim | Nominal    |
|-----|------------|
| ØA  | 16.66 min  |
| ØAA | 13.11 min  |
| R1  | 18.26      |
| ØT  | 3.25 ±0.13 |

SOURIAU shall not be liable for any non-conformity or damage due to a use of the Products which does not comply with the Specifications issued by either of the Parties or by a third party (professional recommendation, technical notice.)

| Country | Jurisdiction & Control List |
|---------|-----------------------------|
| FR      | Not Listed                  |

PN: 8D009M35SBL

|                |                                       |                                |   |
|----------------|---------------------------------------|--------------------------------|---|
| A              | 03-10-2016                            | First Release                  |   |
| ISS            | DATE                                  | Latest modification - by       | MOD N°  |
| Designed By:   |                                       | Date:                          | <b>CUSTOMER DRAWING</b>   |
| <b>TITLE</b>   | <b>Composite Receptacle 8D series</b> |                                |   |
| SCALE          |                                       | General linear Tolerances: ±-- | NPRDS / PROJECT<br><b>859</b>   |
| NA             |                                       |                                |   |
| <b>SOURIAU</b> | <b>WWW.SOURIAU.COM</b>                |                                | This document is the property of SOURIAU it must not be reproduced or communicated without permission |
| FORMAT         | <b>SOURIAU DRG N° 8D009M35SBL-C</b>   |                                | SHEET<br>2/2  |