

Type 2 surge protection connector - VAL-MS 120 ST - 2807586

Please be informed that the data shown in this PDF Document is generated from our Online Catalog. Please find the complete data in the user's documentation. Our General Terms of Use for Downloads are valid (<http://download.phoenixcontact.com>)



Surge protection connector type 2 with high-capacity varistor for VAL-MS base element, thermal monitoring, visual fault warning. Design: 120 V AC

Why buy this product

- Single-channel, DIN-rail mountable protective devices
- Base element with/without floating remote indication contact
- Disconnect device on each individual plug
- Consists of base element and plug
- Optical, mechanical status indication for the individual arresters
- Mechanical keying of all slots



Key commercial data

Packing unit	1
Minimum order quantity	10
Catalog page	Page 39 (TT-2011)
GTIN	 4 017918 075279
Custom tariff number	85363010
Country of origin	GERMANY

Technical data

Standards

Housing material	PA
Inflammability class according to UL 94	V0
Color	black
Standards for air and creepage distances	IEC 664-1
Standards for air and creepage distances	VDE 0675-6
Standards for air and creepage distances	DIN VDE 0110-1
Degree of protection	IP20
Mounting type	On base element
Design	DIN rail module, two-section, divisible
Number of positions	1

Type 2 surge protection connector - VAL-MS 120 ST - 2807586

Technical data

Standards

Ambient temperature (operation)	-40 °C ... 80 °C
Arrester can be tested with CHECKMASTER from software version:	From SW rev. 1.10
Message: Surge protection fault	Optical
Direction of action	1L-N/PE
Width	17.7 mm
Height	52.4 mm
Depth	54.5 mm
Pitch unit	1 Div.

Protective circuit

IEC category	II
IEC category	T2
EN type	T2
Nominal voltage UN	120 V AC
Arrester rated voltage UC	150 V AC
UT (TOV-proof)	175 V AC (5 s)
Nominal frequency fN	50 Hz (60 Hz)
Ground conductor current IPE	≤ 0.45 mA
Standby power consumption PC	≤ 70 mVA
Max. discharge surge current I _{max} (8/20) μs	40 kA
Nominal discharge surge current I _n (8/20) μs	20 kA
Lightning test current (10/350) μs, peak value I _{imp}	3 kA
Max. energy absorption (2 ms)	360 J
Protection level U _p	≤ 800 V
Residual voltage	≤ 800 V
Residual voltage	≤ 550 V (at 5 kA)
Residual voltage	≤ 550 V (at 3 kA)
Response time	≤ 25 ns
Max. required backup fuse with branch wiring	125 A (gL)
Short-circuit resistance IP with max. backup fuse (effective)	25 kA
Capacity	5.5 nF ±30 %

Standards

Standards/regulations	IEC 61643-1 2005
Standards/regulations	EN 61643-11/A11 2007
Standards/regulations	UL 1449
Standards/regulations	IEEE C62.1 / C62.34 / C62.45

Classifications

eclass

eCl@ss 4.0	27140201
eCl@ss 4.1	27130801

Type 2 surge protection connector - VAL-MS 120 ST - 2807586

Classifications

eclass

eCl@ss 5.0	27130801
eCl@ss 5.1	27130801
eCl@ss 6.0	27130805
eCl@ss 7.0	27130805

etim

ETIM 2.0	EC000941
ETIM 3.0	EC000941
ETIM 4.0	EC000941
ETIM 5.0	EC000941

unspsc

UNSPSC 6.01	30212010
UNSPSC 7.0901	39121610
UNSPSC 11	39121610
UNSPSC 12.01	39121610
UNSPSC 13.2	39121620

Approvals

Approvals

Approvals

IECEE CB Scheme / CSA / UL Recognized / KEMA-KEUR / ÖVE / cUL Recognized / GOST / CCA / cULus Recognized

Ex Approvals

Approvals submitted

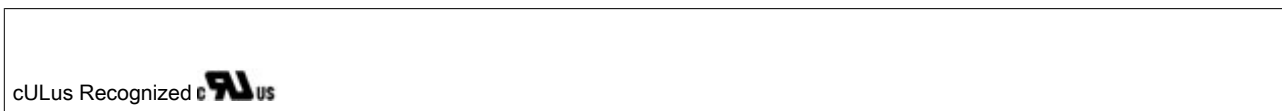
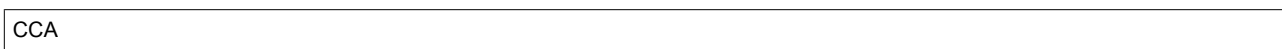
Approval details

IECEE CB Scheme

CSA	
Nominal voltage UN	120 V

Type 2 surge protection connector - VAL-MS 120 ST - 2807586

Approvals



Accessories

Accessories

Bridges

Wiring bridge - MPB F600X16/ 1GS - 2818355



Wiring bridge flexible, diameter: 16 mm², with a fork-type cable lug on one side, length: 600 mm

Wiring bridge - MPB F400X16/ 1GS - 2818342



Wiring bridge flexible, diameter 16 mm², with a fork-type cable lug on one side, length: 400 mm

Type 2 surge protection connector - VAL-MS 120 ST - 2807586

Accessories

Wiring bridge - MPB F200X16/ 1GS - 2818339



Wiring bridge flexible, diameter 16 mm², with a fork-type cable lug on one side, length: 200 mm

Wiring bridge - MPB 18/1-20/1.2.5 - 2830168



Wiring bridge for modules with connecting pitch 17.5 mm, 1-phase, 20 pitches with contact sequence 1-2-0-0-5

Wiring bridge - MPB 18/4-12 - 2809296



Wiring bridge for modules with connecting pitch 17.5 mm, 4-phase, 12-pos.

Wiring bridge - MPB 18/4- 8 - 2809283



Wiring bridge for modules with connecting pitch 17.5 mm, 4-phase, 8-pos.

Wiring bridge - MPB 18/3- 6 - 2809241



Wiring bridge for modules with connecting pitch 17.5 mm, 3-phase, 6-pos.

Type 2 surge protection connector - VAL-MS 120 ST - 2807586

Accessories

Wiring bridge - MPB 18/1-57 - 2809238



Wiring bridge for modules with connecting pitch 17.5 mm, 1-phase, 57-pos.

Wiring bridge - MPB 18/1-12 - 2748593



Wiring bridge for modules with connecting pitch 17.5 mm, 1-phase, 12-pos.

Wiring bridge - MPB 18/1- 9 - 2748580



Wiring bridge for modules with connecting pitch 17.5 mm, 1-phase, 9-pos.

Wiring bridge - MPB 18/1- 8 - 2748577



Wiring bridge for modules with connecting pitch 17.5 mm, 1-phase, 8-pos.

Wiring bridge - MPB 18/1- 6 - 2748564



Wiring bridge for modules with connecting pitch 17.5 mm, 1-phase, 6-pos.

Wiring bridge - MPB 18/1- 4 - 2809225



Wiring bridge for modules with connecting pitch 17.5 mm, 1-phase, 4-pos.

Type 2 surge protection connector - VAL-MS 120 ST - 2807586

Accessories

Wiring bridge - MPB 18/1- 3 - 2809212



Wiring bridge for modules with connecting pitch 17.5 mm, 1-phase, 3-pos.

Wiring bridge - MPB 18/1- 2 - 2809209



Wiring bridge for modules with connecting pitch 17.5 mm, 1-phase, 2-pos.

Marking

Zack marker strip - ZBN 18,LGS:ERDE - 2749589



Zack marker strip, Strip, white, Labeled, Horizontal: Grounding symbol, Mounting type: Snap into tall marker groove, For terminal block width: 18 mm, Lettering field: 18 x 5 mm

Zack marker strip - ZBN 18,LGS:L1-N,ERDE - 2749576



Zack marker strip, Strip, white, Labeled, Horizontal: L1, L2, L3, N, GND, Mounting type: Snap into tall marker groove, For terminal block width: 18 mm, Lettering field: 18 x 5 mm

Zack marker strip - ZBN 18:UNBEDRUCKT - 2809128



Zack marker strip, Strip, white, Unlabeled, Can be labeled with: Plotter, Mounting type: Snap into tall marker groove, For terminal block width: 18 mm, Lettering field: 18 x 5 mm

Type 2 surge protection connector - VAL-MS 120 ST - 2807586

Accessories

Marker pen - B-STIFT - 1051993



Marker pen, for manual labeling of unprinted Zack strips, smear-proof and waterproof, line thickness 0.5 mm

Wiring bridge - MPB 18/1-10/1.0.0 - 2830443



Wiring bridge for modules with connecting pitch 17.5 mm, 1-phase, 10 pitches with contact sequence 1-0-0

Additional products

Type 2 surge protection base element - VAL-MS BE - 2817741



Base element for type 2 arresters of the VALVETRAB MS series of products. Design: 1-channel

Type 2 surge protection base element - VAL-MS BE/FM - 2817738



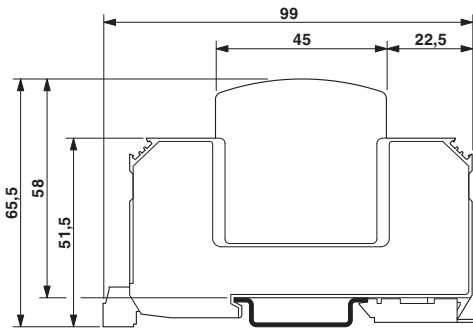
Base element for type 2 arresters of the VALVETRAB MS series of products, with remote indication contact. Design: 1-channel

Drawings

Type 2 surge protection connector - VAL-MS 120 ST - 2807586

Dimensioned drawing

Circuit diagram



© Phoenix Contact 2012 - all rights reserved
<http://www.phoenixcontact.com>