

## Bracket 3x3x120°

SKU: 62470 Weight: 20.00 Gram

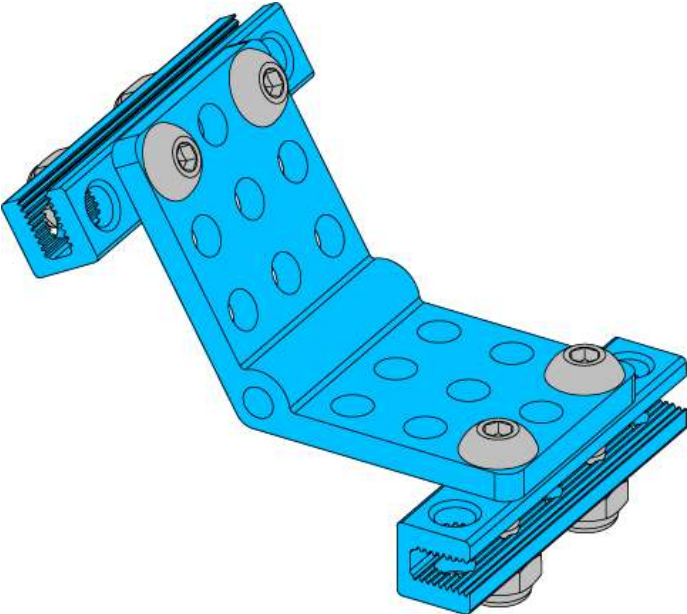
### What Is Bracket 3x3x120°?

Bracket 3x3x120° has mounting holes on the surface, and the angle is 120°. It is a structural component with high serviceability which can be easily installed and extended for use.

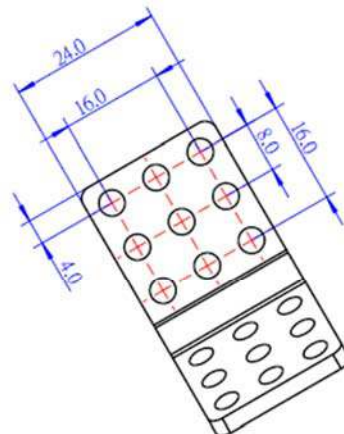
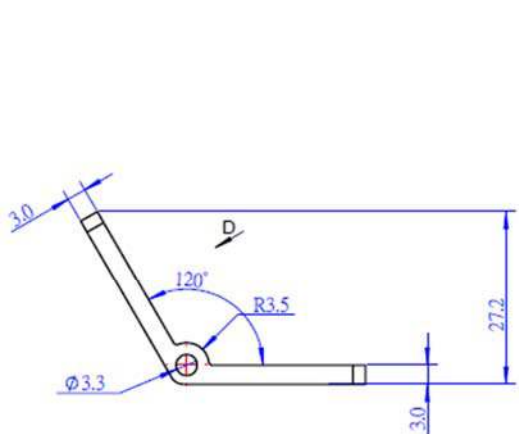
### Features

- ? Made from heavy-duty 6061 aluminum extrusion and has a nice appearance.
- ? High wear resistance, strong rigidity and high intensity.
- ? Angle: 120°

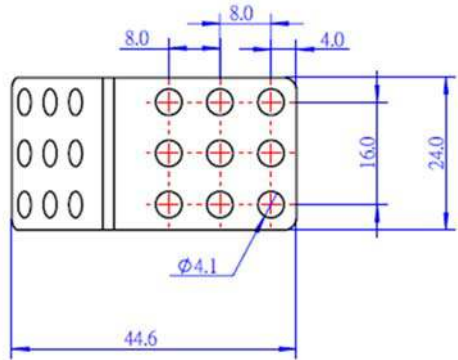
# DEMO



# Size Charts



视图 D  
比例 1 : 1



工艺



## Specifications

SKU	62470
Product Name	Bracket 3x3x120°
Length	44.6mm
Cross-section Area	44.6 x 27.2mm
Gross Weight	44g(1.55oz)
Package Content (Quantity x Part Name)	2 x Bracket 3x3x120°