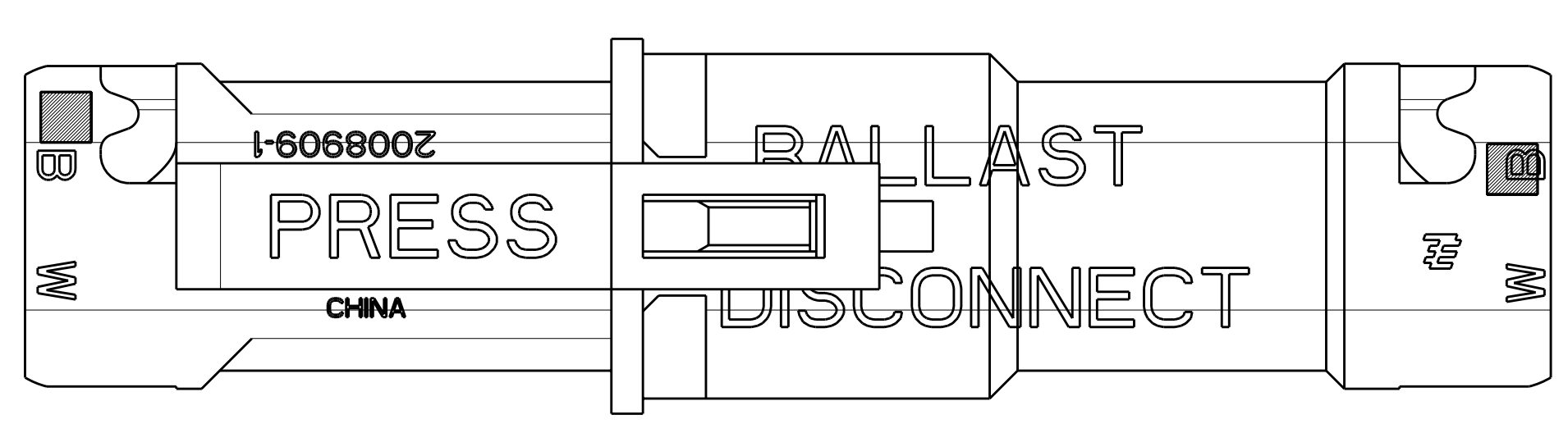
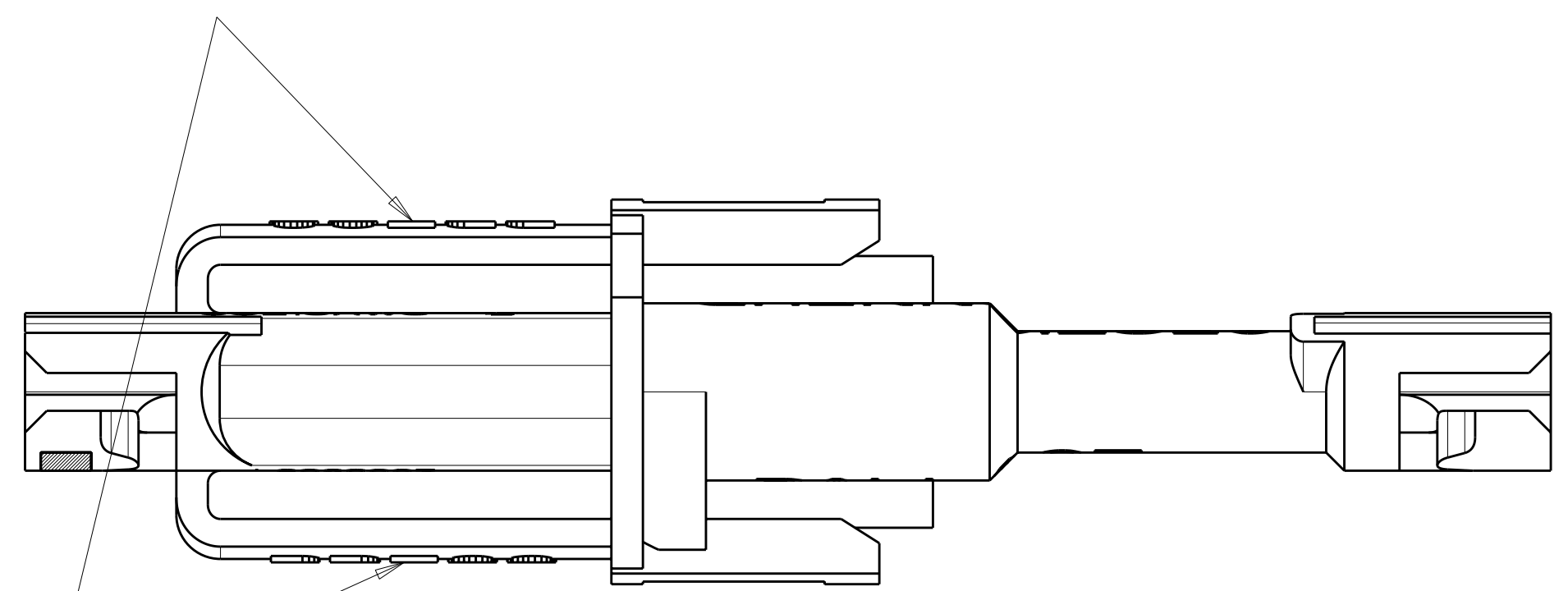
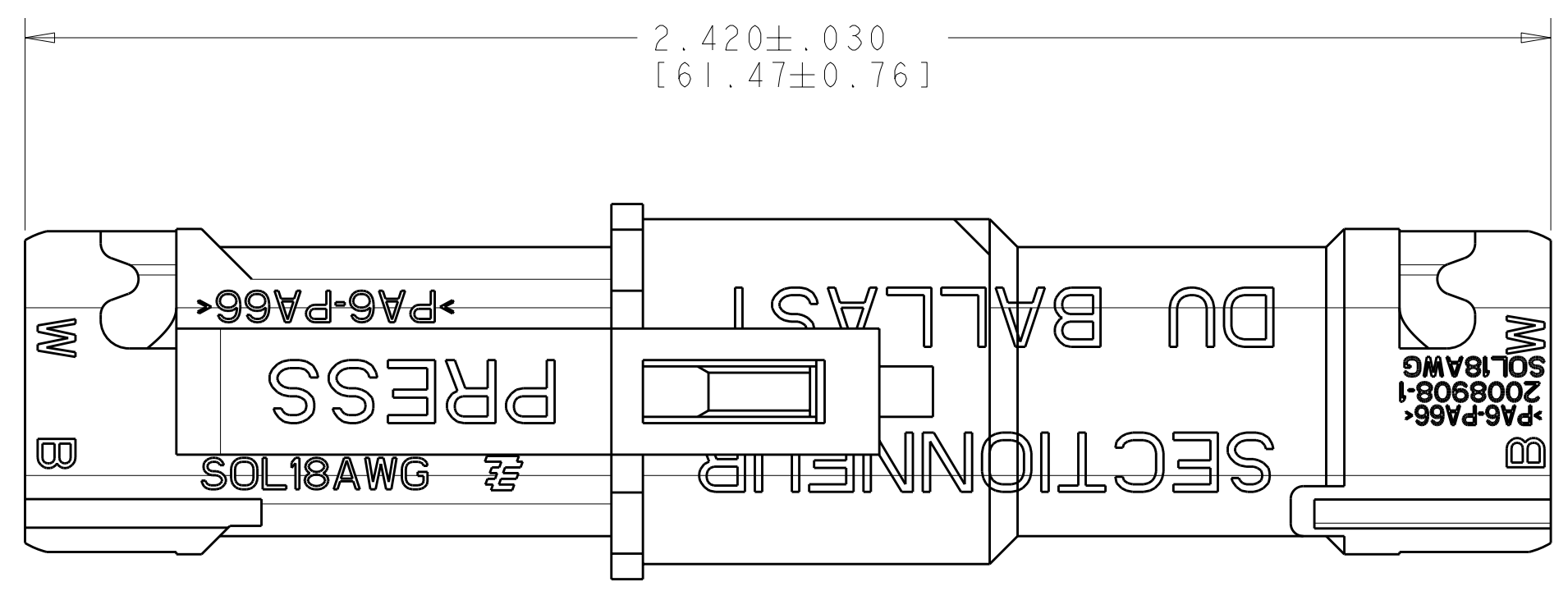
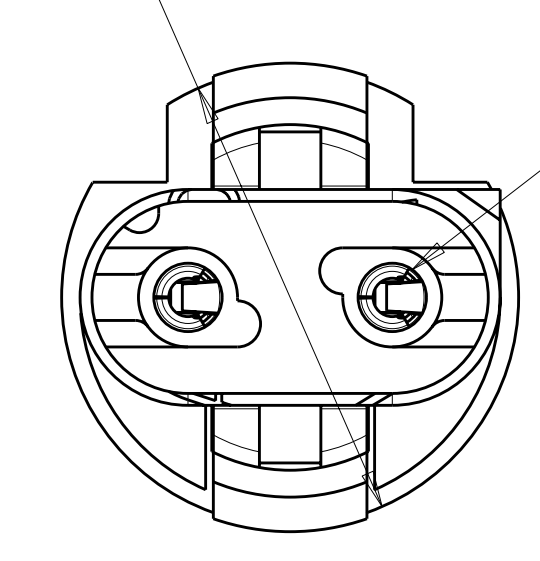


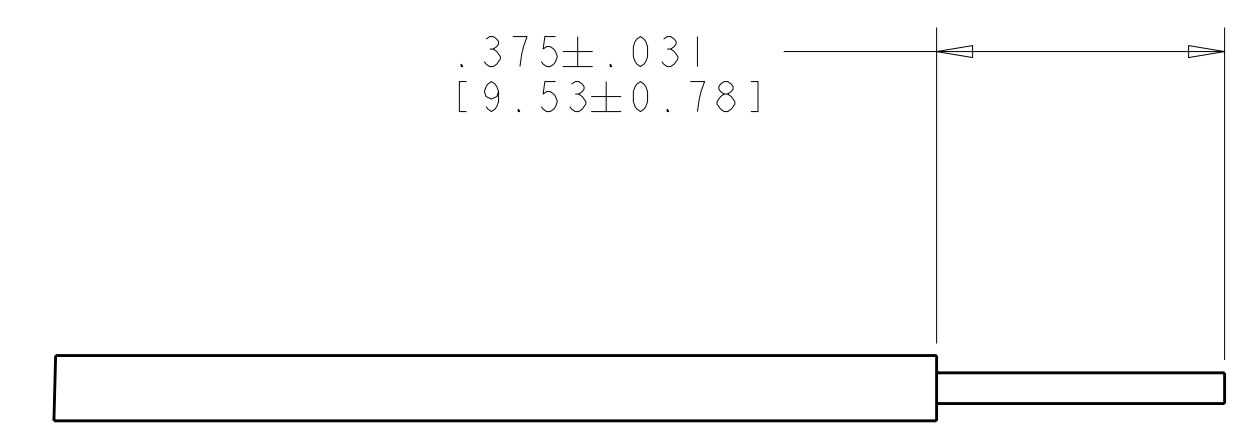
LOC	DIST	REVISIONS			
REV	DATE	DESCRIPTION	DATE	DWN	APVD
AF	50	A	REVISED PER ECR-09-020882	05OCT2009	HMR DD



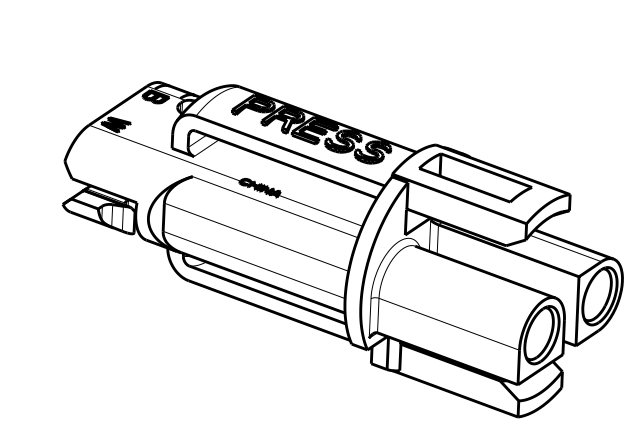
Ø .595±.010  
[15.11±0.25]



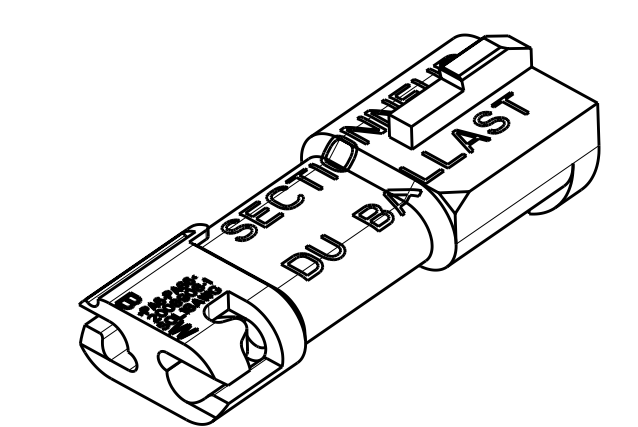
ACCEPTS 18 AWG SOLID WIRE  
WITH .086 [2.18] MAX INSULATION DIAMETER  
BOTH CONNECTORS



RECOMMENDED WIRE STRIP LENGTH



PLUG CONNECTOR ASSEMBLY



RECEPTACLE CONNECTOR ASSEMBLY

DIMENSIONS: IN [mm]		TOLERANCES UNLESS OTHERWISE SPECIFIED: 9 PLC ±.010 1 PLC ±.010 2 PLC ±.010 3 PLC ±.010 4 PLC ±.010 ANGLES ±.010		DWN S. GURURAJ 17JAN2008 CHK MCCARTHY 17JAN2008 APVD		Tyco Electronics Harrisburg, PA 17105-3608	
MATERIAL:		FINISH:		PRODUCT SPEC: 108-2275 APPLICATION SPEC: 114-13204		NAME: ASSEMBLY, MATED PAIR, 2 POSITION PLUG AND RECEPTACLE PT, LIGHT-N-LOK	
MATERIAL:		FINISH:		WEIGHT:		SIZE: A   00779   C=2008910	
CUSTOMER DRAWING				SCALE: 2:1		SHEET 1 OF 1 REV A	