

NOTES: 1. MATERIAL:

- 1.1 HOUSING: THERMOPLASTIC, HIGH TEMP.UL94V-0; COLOR:WHITE.
- 1.2 ACTUATOR: THERMOPLASTIC, HIGH TEMP.UL94V-0; COLOR:BLACK.
- 1.3 CONTACT: COPPER ALLOY
- 1.4 FITTING NAIL: COPPER ALLOY

2. FINISH:

2.1 CONTACT:

50~100u" NICKEL UNDERPLATING OVERALL.

M: 3u" GOLD ON CONTACT AND GOLD FLASH ON SOLDER

B: 5u" GOLD ON CONTACT AND GOLD FLASH ON SOLDER

T: 10u" GOLD ON CONTACT AND GOLD FLASH ON SOLDER

D: 30u" GOLD ON CONTACT AND GOLD FLASH ON SOLDER

2.2 FITTING NAIL:

100~200u" TIN PLATING ON SOLDER TAILS(LEAD FREE).

50~100u" NICKEL UNDERPLATING OVERALL.

3. SPEC. PLS. REFER TO PS-50696-XXXXX

4. PACKAGE PLS. REFER TO 50696-XXXXX-TRP

5. PART NUMBER

50696-XXX X X-002

- NO OF CKT
- PACKING
- 0:TAPE REEL
- 1:TUBE

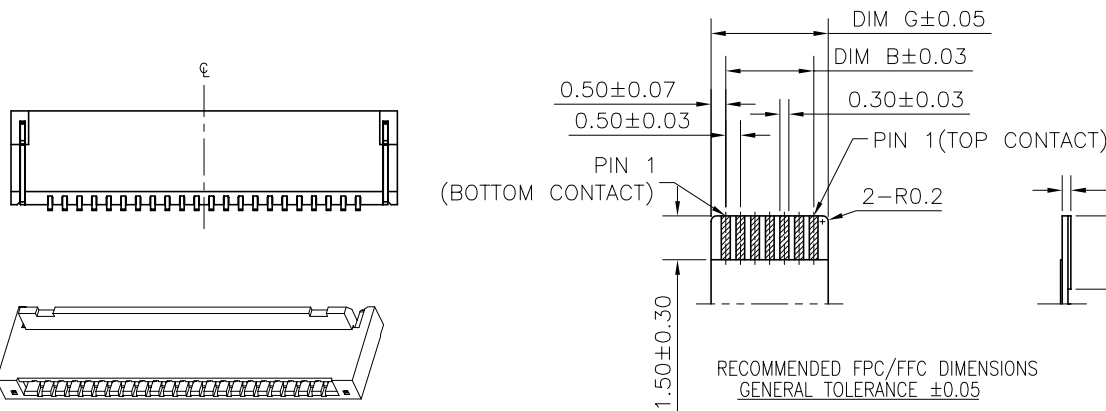
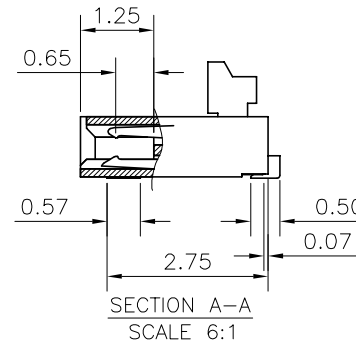
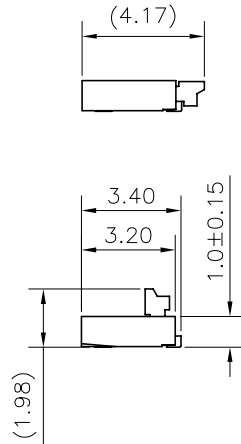
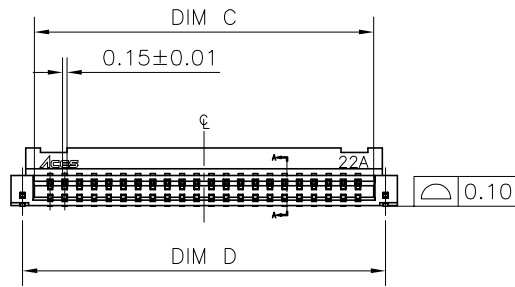
CONTACT PLATING

M: 3u" GOLD ON CONTACT AND GOLD FLASH ON SOLDER

B: 5u" GOLD ON CONTACT AND GOLD FLASH ON SOLDER

T: 10u" GOLD ON CONTACT AND GOLD FLASH ON SOLDER

D: 30u" GOLD ON CONTACT AND GOLD FLASH ON SOLDER



| CKT | DIM A | DIM B | DIM C | DIM D | DIM E | DIM F | DIM G |
|-----|-------|-------|-------|-------|-------|-------|-------|
| 4 | 4.18 | 1.50 | 2.57 | 3.38 | 3.10 | 3.90 | 2.50 |
| 5 | 4.68 | 2.00 | 3.07 | 3.88 | 3.60 | 4.40 | 3.00 |
| 6 | 5.18 | 2.50 | 3.57 | 4.38 | 4.10 | 4.90 | 3.50 |
| 7 | 5.68 | 3.00 | 4.07 | 4.88 | 4.60 | 5.40 | 4.00 |
| 8 | 6.18 | 3.50 | 4.57 | 5.38 | 5.10 | 5.90 | 4.50 |
| 9 | 6.68 | 4.00 | 5.07 | 5.88 | 5.60 | 6.40 | 5.00 |
| 10 | 7.18 | 4.50 | 5.57 | 6.38 | 6.10 | 6.90 | 5.50 |
| 11 | 7.68 | 5.00 | 6.07 | 6.88 | 6.60 | 7.40 | 6.00 |
| 12 | 8.18 | 5.50 | 6.57 | 7.38 | 7.10 | 7.90 | 6.50 |
| 13 | 8.68 | 6.00 | 7.07 | 7.88 | 7.60 | 8.40 | 7.00 |
| 14 | 9.18 | 6.50 | 7.57 | 8.38 | 8.10 | 8.90 | 7.50 |
| 15 | 9.68 | 7.00 | 8.07 | 8.88 | 8.60 | 9.40 | 8.00 |
| 16 | 10.18 | 7.50 | 8.57 | 9.38 | 9.10 | 9.90 | 8.50 |
| 17 | 10.68 | 8.00 | 9.07 | 9.88 | 9.60 | 10.40 | 9.00 |
| 18 | 11.18 | 8.50 | 9.57 | 10.38 | 10.10 | 10.90 | 9.50 |
| 19 | 11.68 | 9.00 | 10.07 | 10.88 | 10.60 | 11.40 | 10.00 |
| 20 | 12.18 | 9.50 | 10.57 | 11.38 | 11.10 | 11.90 | 10.50 |
| 21 | 12.68 | 10.00 | 11.07 | 11.88 | 11.60 | 12.40 | 11.00 |
| 22 | 13.18 | 10.50 | 11.57 | 12.38 | 12.10 | 12.90 | 11.50 |
| 23 | 13.68 | 11.00 | 12.07 | 12.88 | 12.60 | 13.40 | 12.00 |
| 24 | 14.18 | 11.50 | 12.57 | 13.38 | 13.10 | 13.90 | 12.50 |
| 25 | 14.68 | 12.00 | 13.07 | 13.88 | 13.60 | 14.40 | 13.00 |
| 26 | 15.18 | 12.50 | 13.57 | 14.38 | 14.10 | 14.90 | 13.50 |
| 27 | 15.68 | 13.00 | 14.07 | 14.88 | 14.60 | 15.40 | 14.00 |
| 28 | 16.18 | 13.50 | 14.57 | 15.38 | 15.10 | 15.90 | 14.50 |
| 29 | 16.68 | 14.00 | 15.07 | 15.88 | 15.60 | 16.40 | 15.00 |
| 30 | 17.18 | 14.50 | 15.57 | 16.38 | 16.10 | 16.90 | 15.50 |

| | | |
|---------------------------------------|------------------|-----------------|
| QUALITY SYMBOLS | DRAWN BY | DATE |
| MAJOR | Wei, Chia Che | 19/01/29 |
| CRITICAL | CHECKED BY | DATE |
| GENERAL TOLERANCES (UNLESS SPECIFIED) | Liu, Yuan Huang | 19/01/29 |
| X. ±0.5 | APPROVED BY | DATE |
| .X ±0.25 | Wang, Chun Sheng | 19/01/29 |
| .XX ±0.15 | UNITS | |
| .XXX ±0.1 | mm | SIZE |
| ANGLES ±2° | SCALE | A4 |
| | 4:1 | DWG NO. |
| | SHEET NO. | 1 OF 1 |
| | REV | E |
| | PART NO. | 50696-XXXXX-002 |
| | | SEE NOTES |

ACES ELECTRONICS

TITLE
0.5MM PITCH ZIF BACK-FLIP FPC CONN SMT R/A D/C