



Enclosure for 4 position knob, coordinate, ID key-operated switches and sensor switches, 22 mm, round, Enclosure material metal, enclosure top part gray, 1 control point metal, without equipment, only for front plate mounting

product brand name	SIRIUS ACT
product designation	Enclosures
product type designation	3SU1
Enclosure	
design of the housing	Command point in center
shape of the enclosure front	Square
material of the enclosure	metal
number of command points	1
product component protective collar	No
color of the enclosure top part	grey
fastening method of the enclosure	Vertical / horizontal
General technical data	
protection class IP	IP66, IP67, IP69(IP69K)
degree of protection NEMA rating	1, 2, 3, 3R, 4, 4X, 12, 13
shock resistance for railway applications acc. to DIN EN 61373	Category 1, Class B
vibration resistance for railway applications acc. to DIN EN 61373	Category 1, Class B
cable entry type	Without
Connections/ Terminals	
type of electrical connection on enclosure	Cable routing above and below, both 1 x M20
tightening torque of fixing screws in the enclosure cover	1.5 ... 1.7 N·m
Ambient conditions	
<ul style="list-style-type: none"> ambient temperature during operation ambient temperature during storage 	-25 ... +70 °C -40 ... +80 °C
environmental category during operation acc. to IEC 60721	3M6, 3S2, 3B2, 3C3, 3K6 (with relative air humidity of 10 ... 95 %, no condensation in operation permitted for all devices behind front panel)
Installation/ mounting/ dimensions	
fastening method of modules and accessories	Front plate mounting
height	89.4 mm
width	85 mm
depth	68 mm
mounting diameter	22.3 mm
positive tolerance of installation diameter	0.4 mm
Certificates/ approvals	
General Product Approval	



Declaration of Conformity

[Miscellaneous](#)



EG-Konf.

[Miscellaneous](#)



EG-Konf.



EG-Konf.

[Miscellaneous](#)

Test Certificates

Marine / Shipping

[Special Test Certificate](#)

[Type Test Certificates/Test Report](#)



ABS



LRS



PRS



RINA

Marine / Shipping

other



RMRS

[Confirmation](#)

Further information

Information- and Downloadcenter (Catalogs, Brochures,...)

<https://www.siemens.com/ic10>

Industry Mall (Online ordering system)

<https://mall.industry.siemens.com/mall/en/en/Catalog/product?mfb=3SU1851-1AA00-1AA1>

Cax online generator

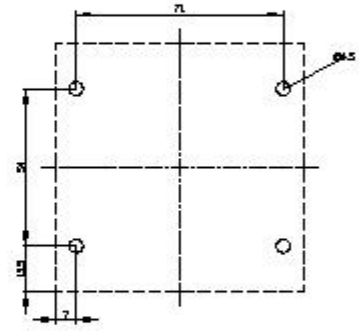
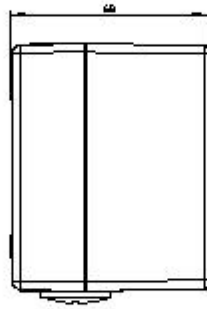
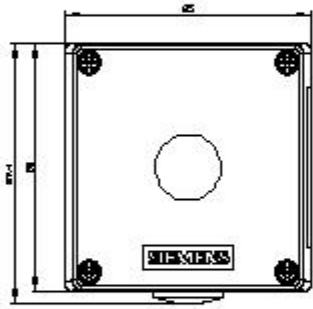
<http://support.automation.siemens.com/WW/CAXorder/default.aspx?lang=en&mfb=3SU1851-1AA00-1AA1>

Service&Support (Manuals, Certificates, Characteristics, FAQs,...)

<https://support.industry.siemens.com/cs/ww/en/ps/3SU1851-1AA00-1AA1>

Image database (product images, 2D dimension drawings, 3D models, device circuit diagrams, EPLAN macros, ...)

http://www.automation.siemens.com/bilddb/cax_de.aspx?mfb=3SU1851-1AA00-1AA1&lang=en



last modified:

8/4/2020 