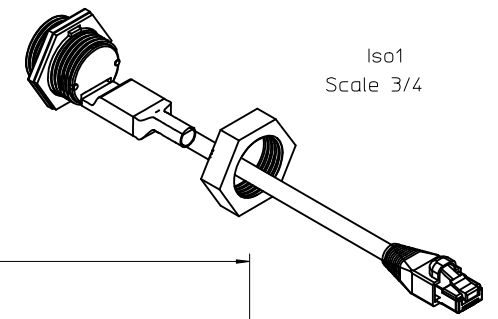
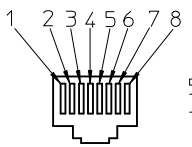
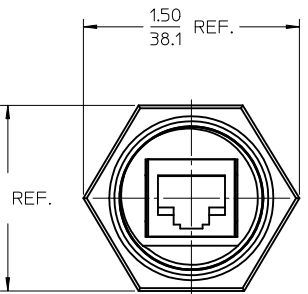
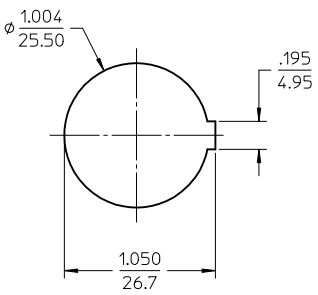


MATERIAL NO.	ENGINEERING NO.	STD MATERIAL	UV MATERIAL	LENGTH
1300555002	ENSP3F5M010	1A		39.37' +.2,19-0 (1M +55,6mm-0)
1300558004	ENSP3F5C450-V		1B	17.00' +1,75-0 (.45M + 44,5mm-0)

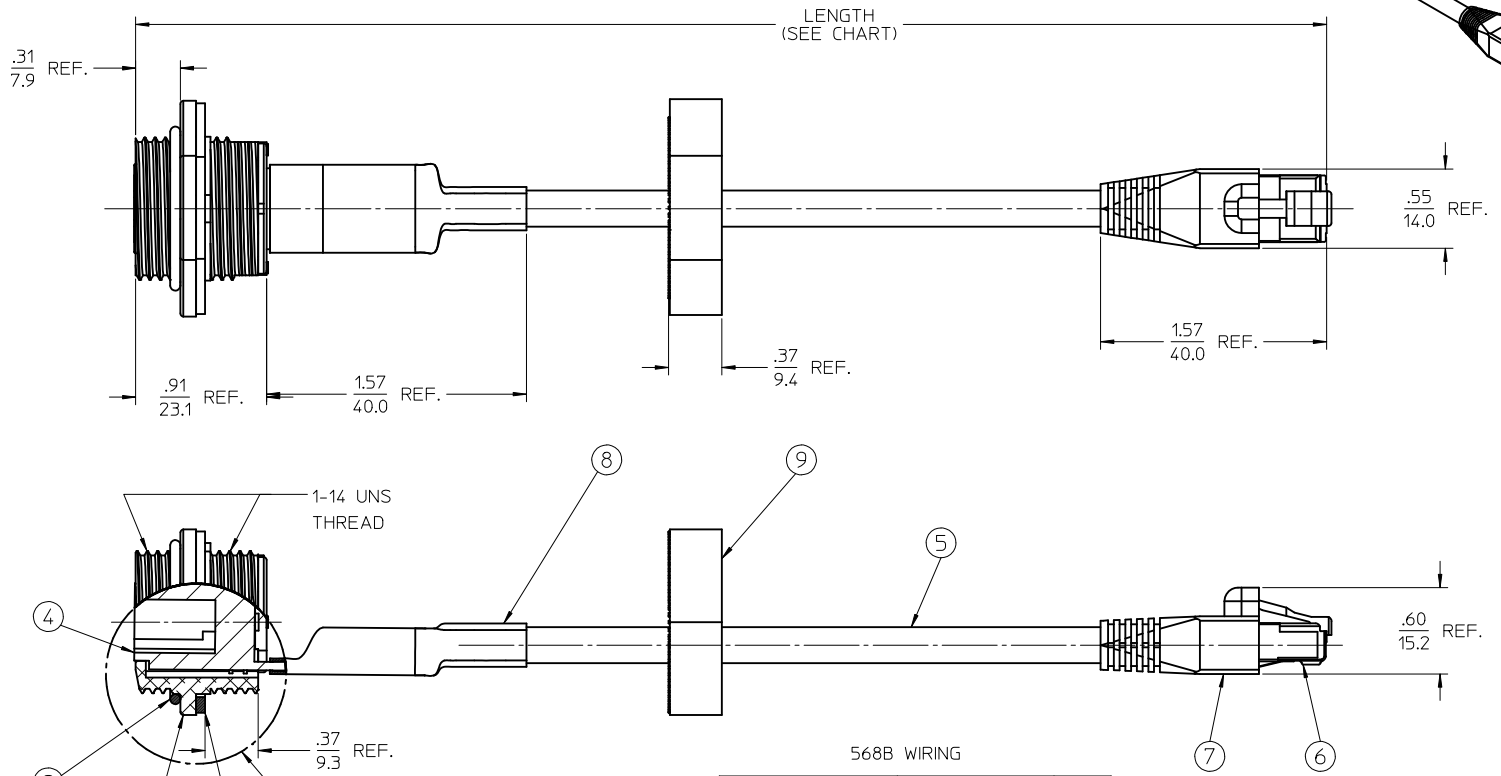
- NOTES:
 1. MATERIAL: SEE TABLE
 2. FINISHES: SEE TABLE
 3. ELECTRICAL SPEC: VOLTAGE 125 VDC, CURRENT: 15 AMPS
 4. OPERATING TEMP: -20 TO 80°C (-4 TO 176°F)
 5. ENVIRONMENTAL: IP67



RECOMMENDED
PANEL CUT OUT



568B WIRE
TERMINATION



568B WIRING

PAIR	WIRE	PIN
1. WHITE/BLUE	WHITE/BLUE	5
	BLUE/WHITE	4
2. WHITE/ORANGE	WHITE/ORANGE	1
	ORANGE/WHITE	2
3. WHITE/GREEN	WHITE/GREEN	3
	GREEN/WHITE	6
4. WHITE/BROWN	WHITE/BROWN	7
	BROWN/WHITE	8

ITEM	QTY.	DESCRIPTION	MATERIAL	FINISH
9	1	PANEL NUT	ABS	BLACK
8	1	HEAT SHRINK TUBE	POLYOLEFIN	BLACK
7	1	STRAIN RELIEF	THERMOPLASTIC	BLACK
6	1	RJ-45 PLUG		
5	1	CABLE, FTP, SOLID CAT5E	PUR JACKET	BLACK
4	1	RJ-45/PCB SUB ASSEMBLY		
3	1	BULKHEAD GASKET	NITRILE	BLACK
2	1	O-RING	VITON	BROWN
1B	1	RECEPTACLE HOUSING (UV)	ASA	BLACK
1A	1	RECEPTACLE HOUSING	ABS	BLACK

RELEASED EC NO: MNA2010-0772 DRWR:RSTONE 2010/06/16 CHKD:B.WOODMAN 2010/06/25 APPR:DTITUS 2010/06/28 A	DESCRIPTION QUALITY SYMBOLS ▽=0 ▽=0	GENERAL TOLERANCES (UNLESS SPECIFIED)		DIMENSION STYLE IN/MM		SCALE 1.5:1	DESIGN UNITS INCH	THIRD ANGLE PROJECTION	
		4 PLACES ± --- ± --- 3 PLACES ± --- ± --- 2 PLACES ± --- ± .010 1 PLACE ± 0.3 ± ---		DRAWN BY RSTONE 2010/06/16		DATE 2010/06/16		TITLE THROUGH PANEL RECEPTACLE PCB + CABLE+RJ-45 PLUG F/M, 568B WIRING	
		ANGULAR ± 2 °		APPROVED BY DTITUS 2010/06/28		DATE 2010/06/28		MOLEX INCORPORATED	
		DRAFT WHERE APPLICABLE MUST REMAIN WITHIN DIMENSIONS		MATERIAL NO. SEE CHART		DOCUMENT NO. SD-130055-005		SHEET NO. 1 OF 1	

THIS DRAWING CONTAINS INFORMATION THAT IS PROPRIETARY TO MOLEX INCORPORATED AND SHOULD NOT BE USED WITHOUT WRITTEN PERMISSION