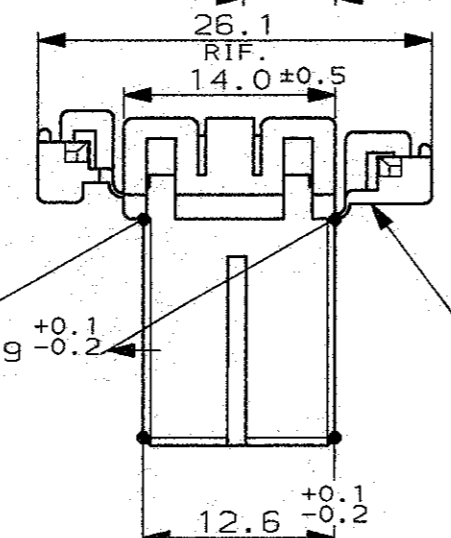
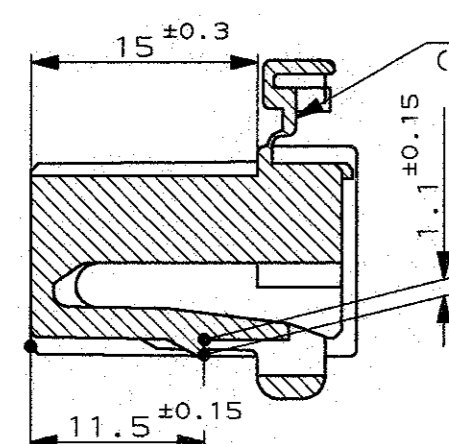
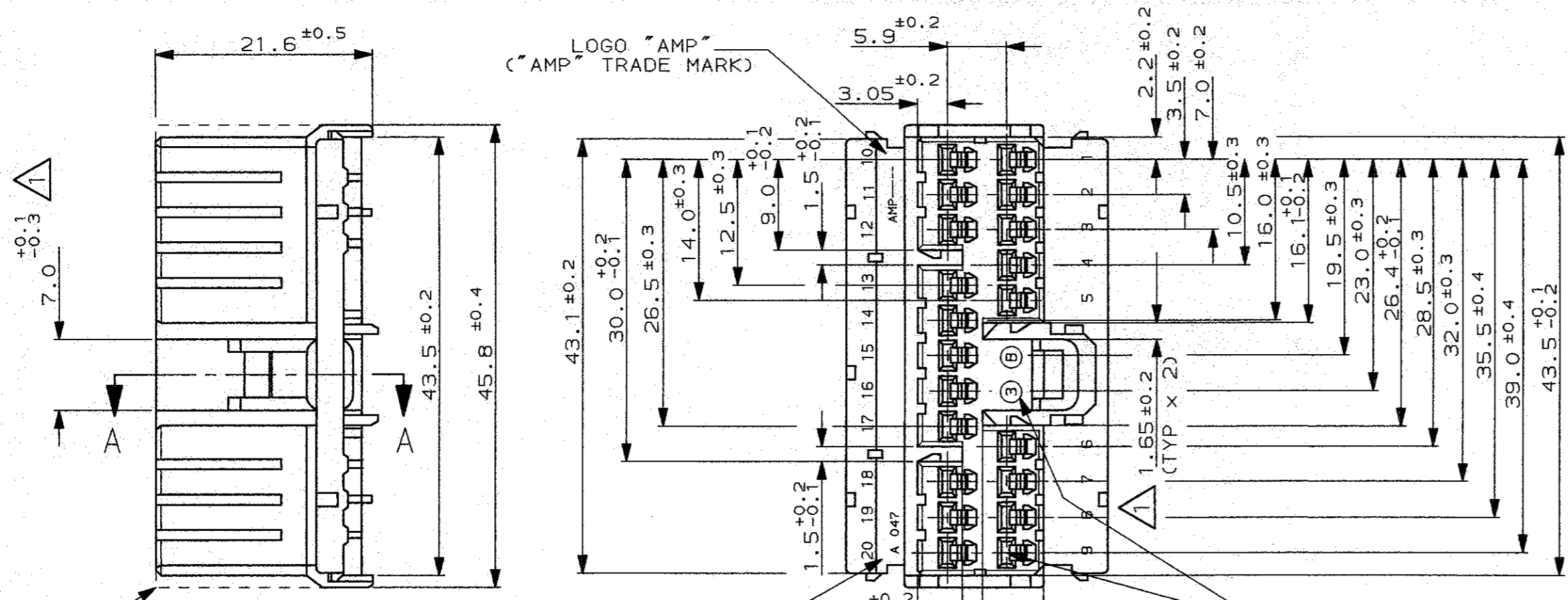
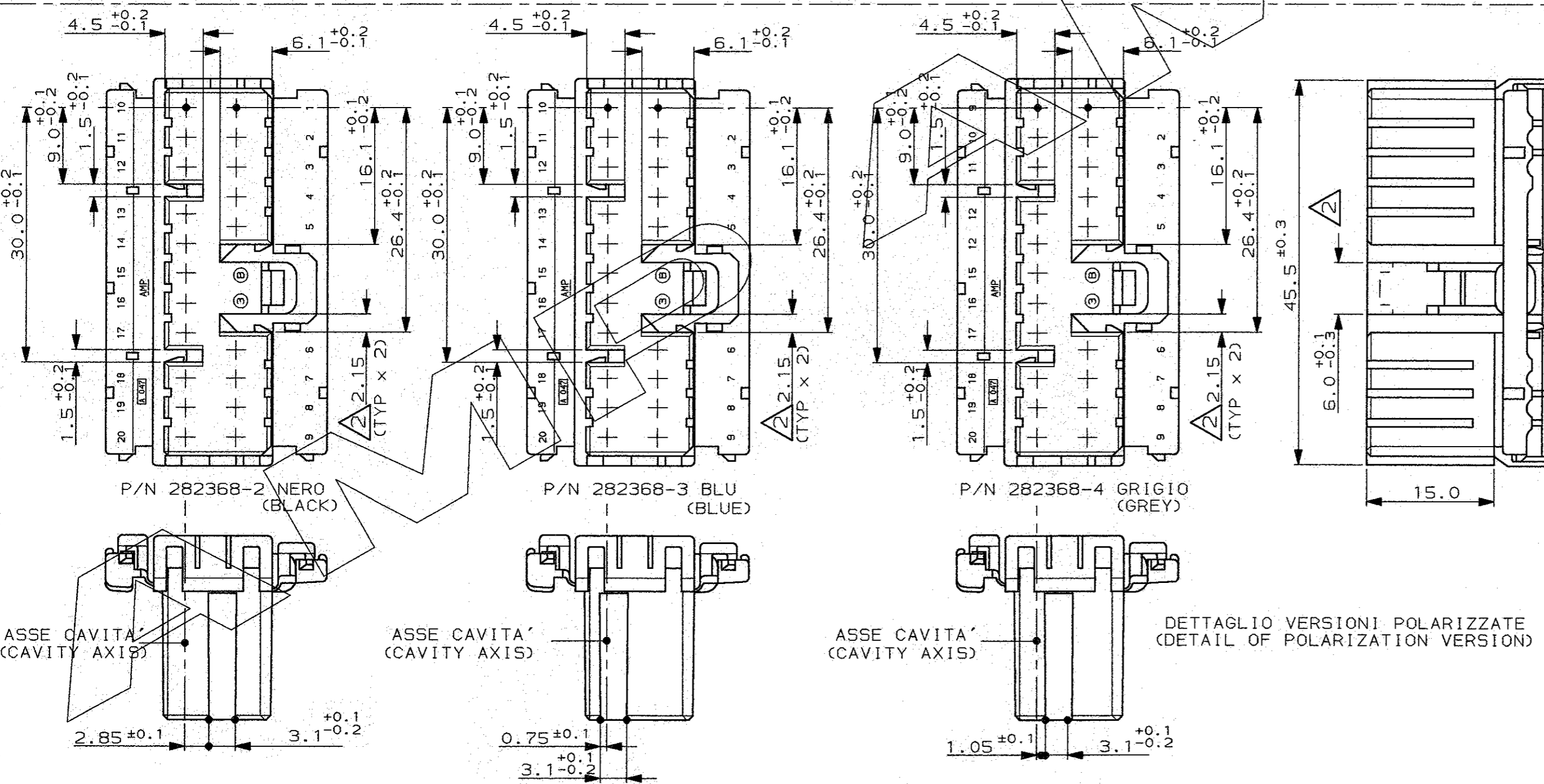
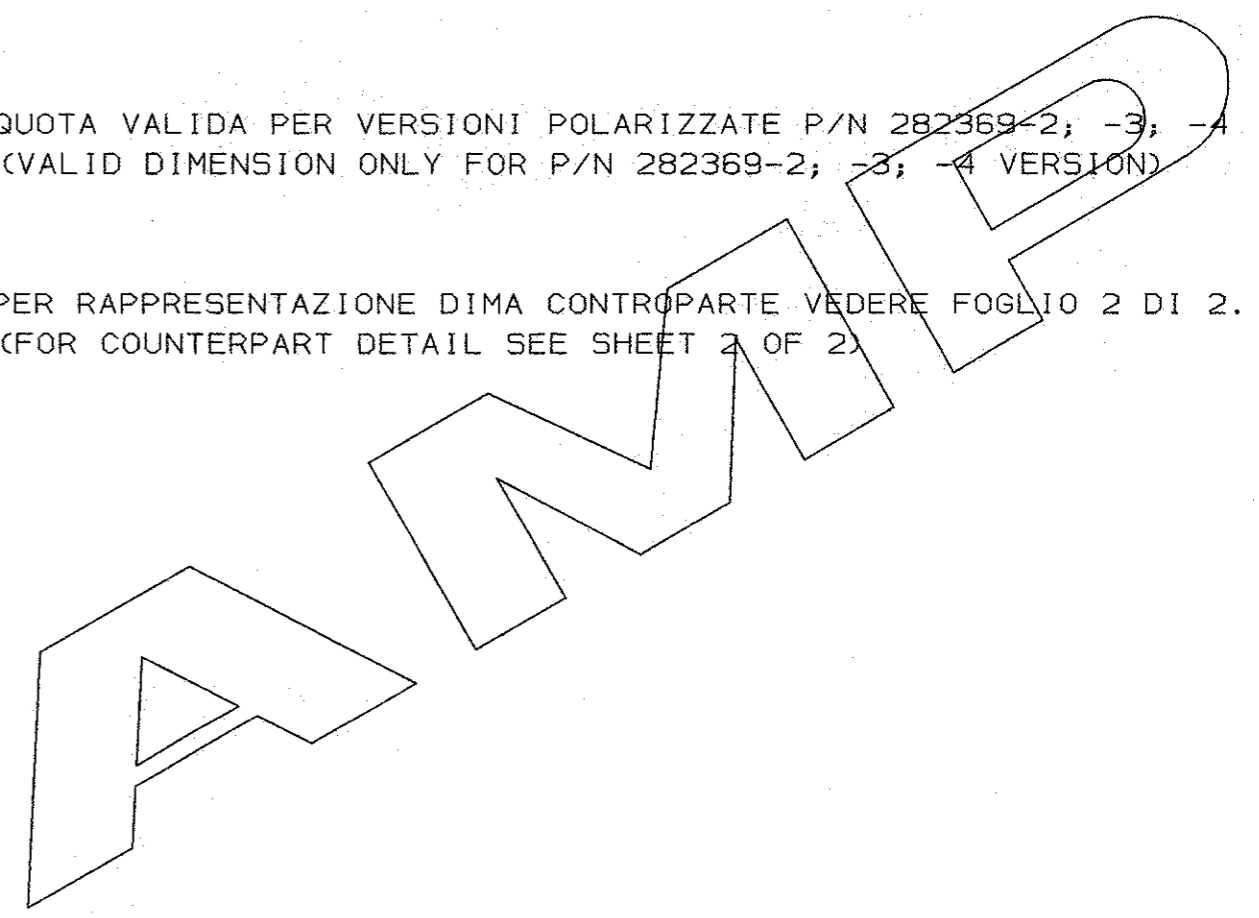


DWG. NO. C-282369

USED ON



- 1 QUOTA VALIDA SOLO PER VERSIONE 282369-1 (VALID DIMENSION ONLY FOR 282369-1 VERSION)
- 2 QUOTA VALIDA PER VERSIONI POLARIZZATE P/N 282369-2; -3; -4 (VALID DIMENSION ONLY FOR P/N 282369-2; -3; -4 VERSION)
- 3) PER RAPPRESENTAZIONE DIMA CONTROPARTE VEDERE FOGLIO 2 DI 2. (FOR COUNTERPART DETAIL SEE SHEET 2 OF 2)



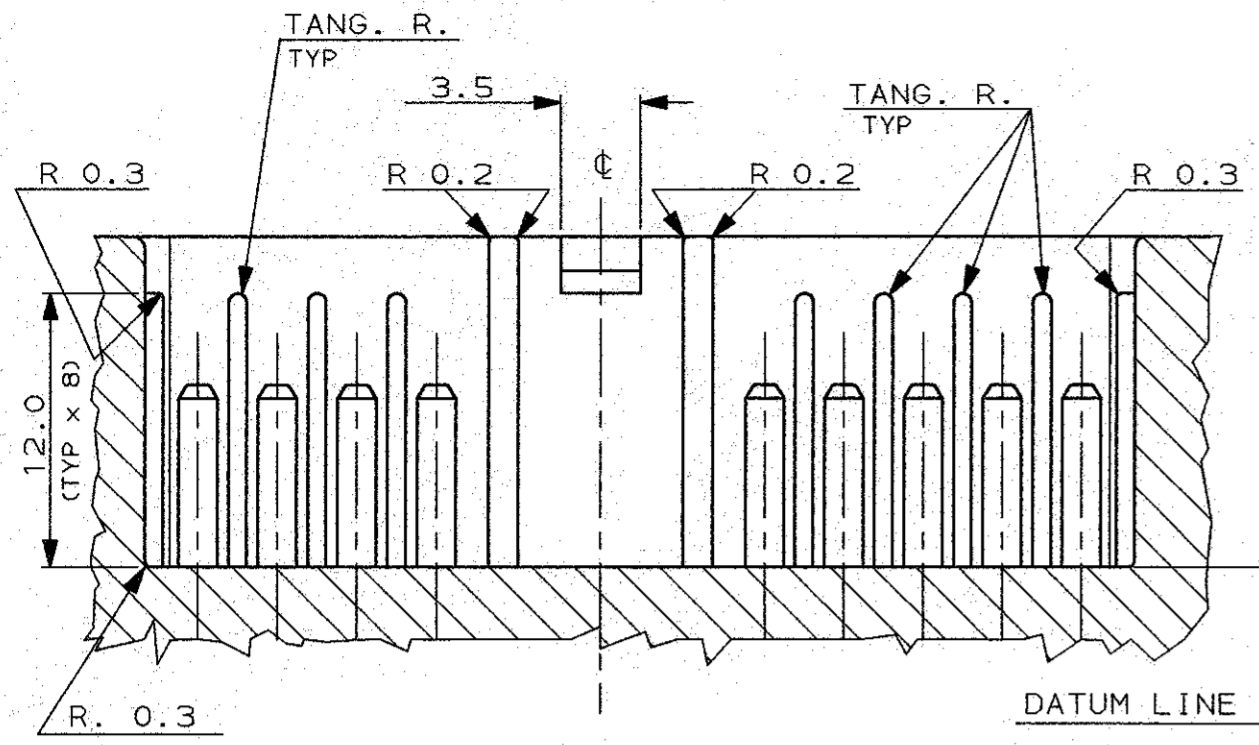
VERS. (VERSION)	STATO (STATUS)	COLORE (COLOUR)	MATERIALE (MATERIAL)	NUMERO (PART NUMBER)	
282526-4 VERS. VERTICALE (VERTICAL VERS.)	NON DISPONIBILE (NOT AVAILABLE)	GRIGIO (GREY)	PBT UNFILLED (PBT UNFILLED)	282369-4	
282526-3 VERS. VERTICALE (VERTICAL VERS.)	NON DISPONIBILE (NOT AVAILABLE)	BLU (BLUE)		282369-3	
282526-2 VERS. VERTICALE (VERTICAL VERS.)	NON DISPONIBILE (NOT AVAILABLE)	NERO (BLACK)		282369-2	
282632-1 VERS. ORIZZONTALE (HORIZONTAL VERS.) 282526-1 VERS. VERTICALE (VERTICAL VERS.)	174936-1 VERSIONE STANDARD (STANDARD VERSION) 174938-1 MONTAG. SU PANNELLO (FOR PANEL MOUNT)	BIANCO (NATURAL)		282369-1	
CONTROP. P.C.B. (P.C.B. HEADER ASSY)		PORTAMASCHI VOLANTE (CAP HOUSING)	COLORE (COLOUR)	MATERIALE (MATERIAL)	NUMERO (PART NUMBER)
CUSTOMER DWG. FOR REFERENCE ONLY / DISEGNO PER CLIENTE SOLO PER RIFERIMENTO					
THIS DRAWING IS UNPUBLISHED / RELEASE FOR PUBLICATION					
© COPYRIGHT 19 BY AMP INCORPORATED, HARRISBURG, PA. ALL INTERNATIONAL RIGHTS RESERVED. AMP PRODUCTS MAY BE COVERED BY U.S. AND FOREIGN PATENT AND/OR PATENT PENDING					
TOLLERANZE: SE NON DIVERSAMENTE SPECIFICATO (TOLERANCES: UNLESS OTHERWISE SPECIFIED)			DIAM. ISOLANTE (INS. DIA. RANGE)	RANGO FILO (WIRE RANGE)	SCALA (SCALE)
± 0.3					2:1
± 2°			STE TE Connectivity		
C1	REVISED PER ECR-13-004824	M.G.	28 MAR 2015		
C	REVISED FOR ET00-0298-97	M.P.	29-7-97		
A	IN PRODUZIONE	M.P.	24-4-93		
2	AGG. CODICE FIAT	R.M.	25-10-93 (OR.)		
1	RIDISEGN. E AGGIORNATO	R.M.	1-3-93		
0	PRIMA EMISSIONE	L.G.	25-4-92		
REV.	REVISIONI (REVISION RECORD)	DIS. DATA (DR DATE)	APP.	LOC. SIZE NUMERO (DWG NO)	REV. FOGLIO (SHEET)
				IA2 C-282369	C1 11 DI 2 (OF 2)

THIS INFORMATION IS CONFIDENTIAL AND IS DISCLOSED TO YOU ON CONDITION THAT NO FURTHER DISCLOSURE IS MADE BY YOU TO OTHER THAN AMP PERSONNEL WITHOUT WRITTEN AUTHORIZATION FROM AMP ITALIA S.p.A.

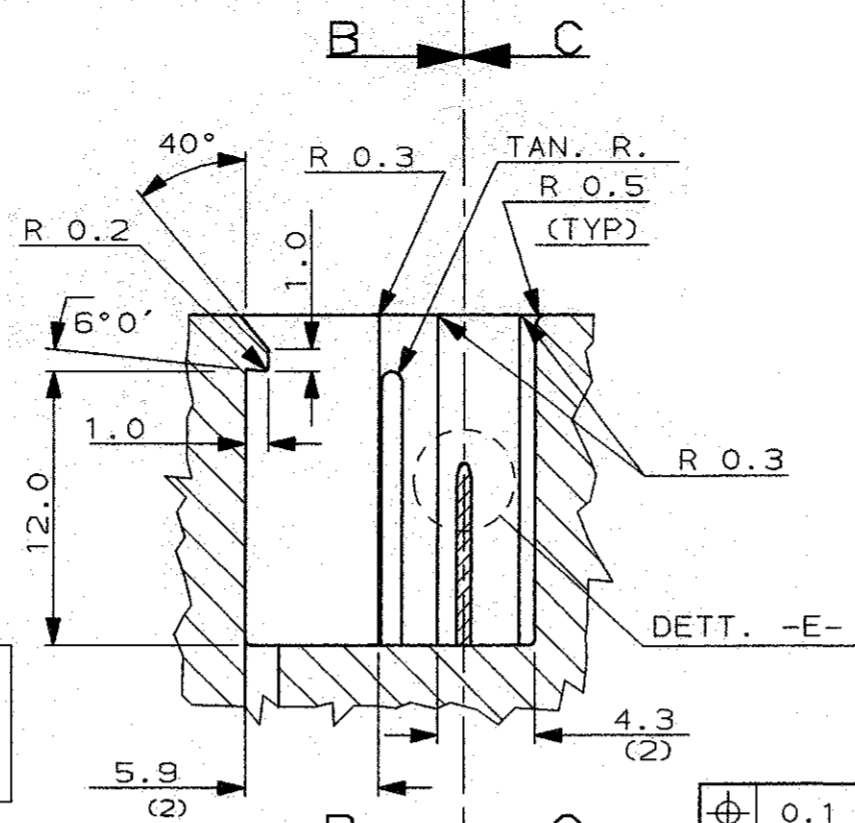
DMG NO C-282369

USED ON

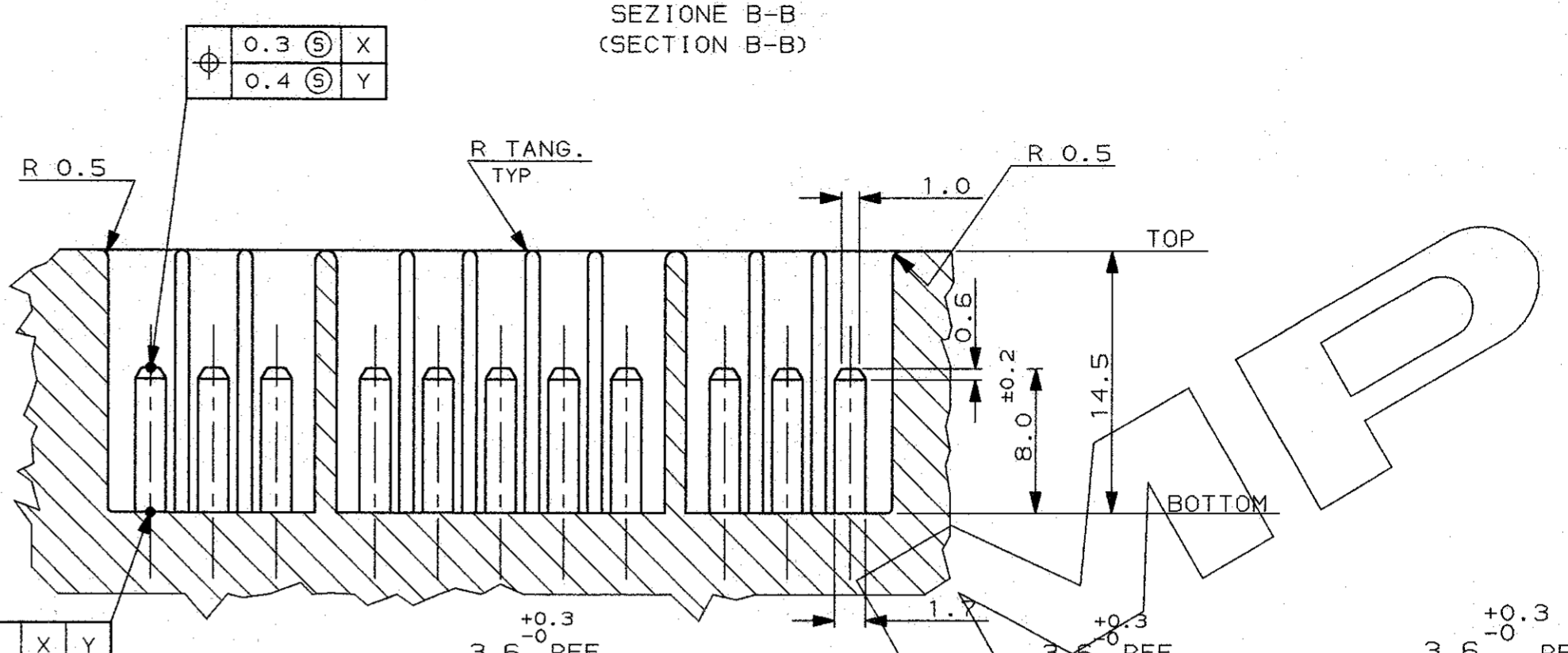
SEZIONE C-C (SECTION C-C)



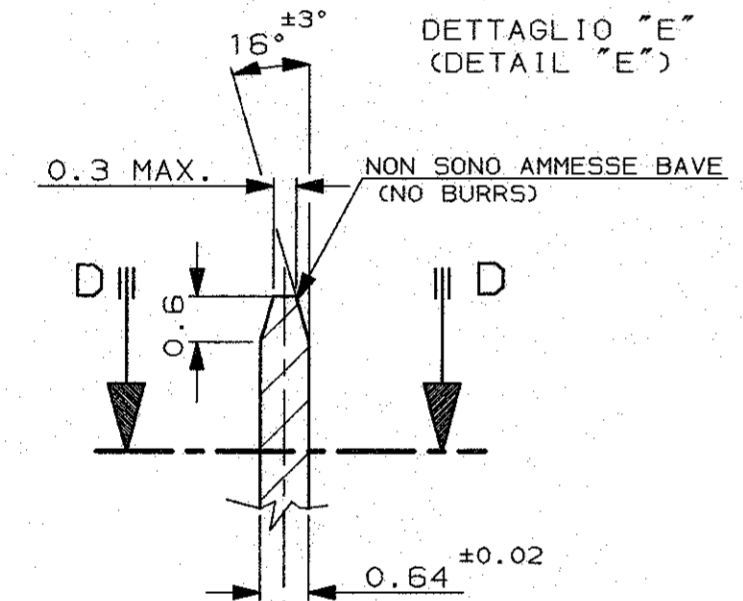
SEZIONE A-A (SECTION A-A)



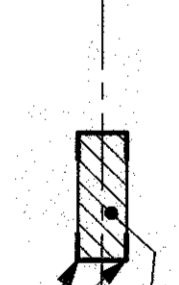
SEZIONE B-B (SECTION B-B)



DETTAGLIO "E" (DETAIL "E")

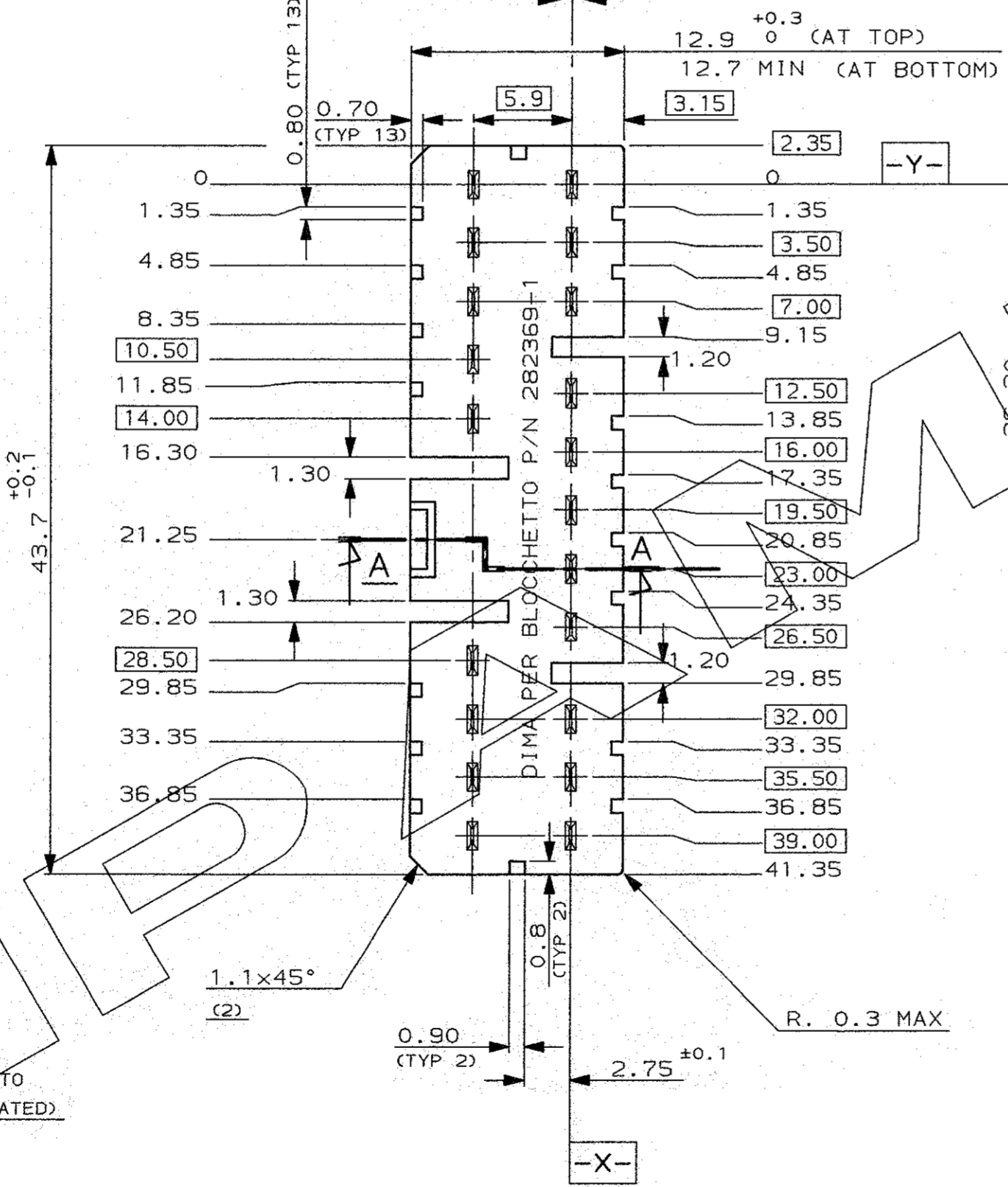


SEZIONE D-D (SECTION D-D)

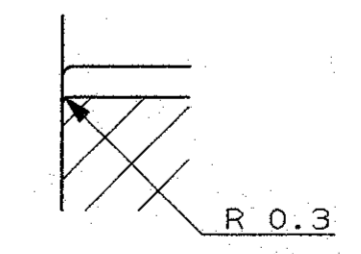


MAT. OTTONE TEMPRA 4, STAGNATO (MATERIAL: BRASS TEMPER 4, TIN PLATED)

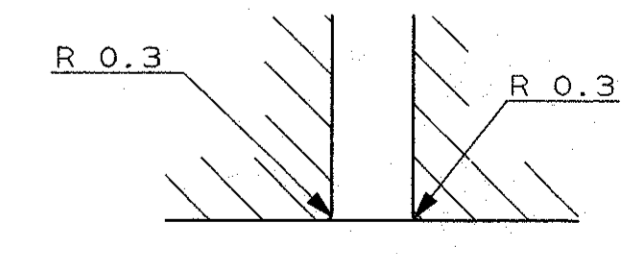
CONIARE LE BAVE DI TRACIATURA (NO TRIMMING BURRS ADMITABLE)



SEZIONE G-G (SECTION G-G)



SEZIONE F-F (SECTION F-F)



THIS INFORMATION IS CONFIDENTIAL AND IS DISCLOSED TO YOU ON THE CONDITION THAT YOU WILL NOT DISCLOSE THIS INFORMATION TO OTHERS WITHOUT THE WRITTEN AUTHORIZATION FROM AMP ITALIA S.P.A.

10/16/03 20 MAY 08

AMP-17A 7502-5/02

DO NOT SCALE	UNLESS OTHERWISE SPECIFIED
REMOVE BURRS BREAK EDGES	METRIC (mm) INCHES (")
SURFACE TEXTURE	
G.T.Y. REQ. 'D' PER UNIT	EUROPEAN PROJECTION THIRD ANGLE PROJECTION
MAT.	0 DEC. PLACE ±0.3 1 DEC. PLACE ±0.1 2 DEC. PLACE ±0.05
HT. TR.	2 DEC. PLACE ±0.02 3 DEC. PLACE ±0.03 4 DEC. PLACE ±0.04
FINISH	ANGLES ±0°30'
DR.	SCALE 3:1
CHK.	TE Connectivity
APP.	NAME
REV. LTR.	070 SERIES MULTILOCK* CONN 20 POS. DOUBLE ROW (DIME DI MONTAGGIO)
REVISION RECORD	LOC. SIZE SHEET DWG. NO.
DR. DATE E.C.N.	1 A2 2 of 2 C-282369

SEE SHEET 1 OF 2

SEE SHEET 1 OF 2

A
B
C
D
E
F
G
H