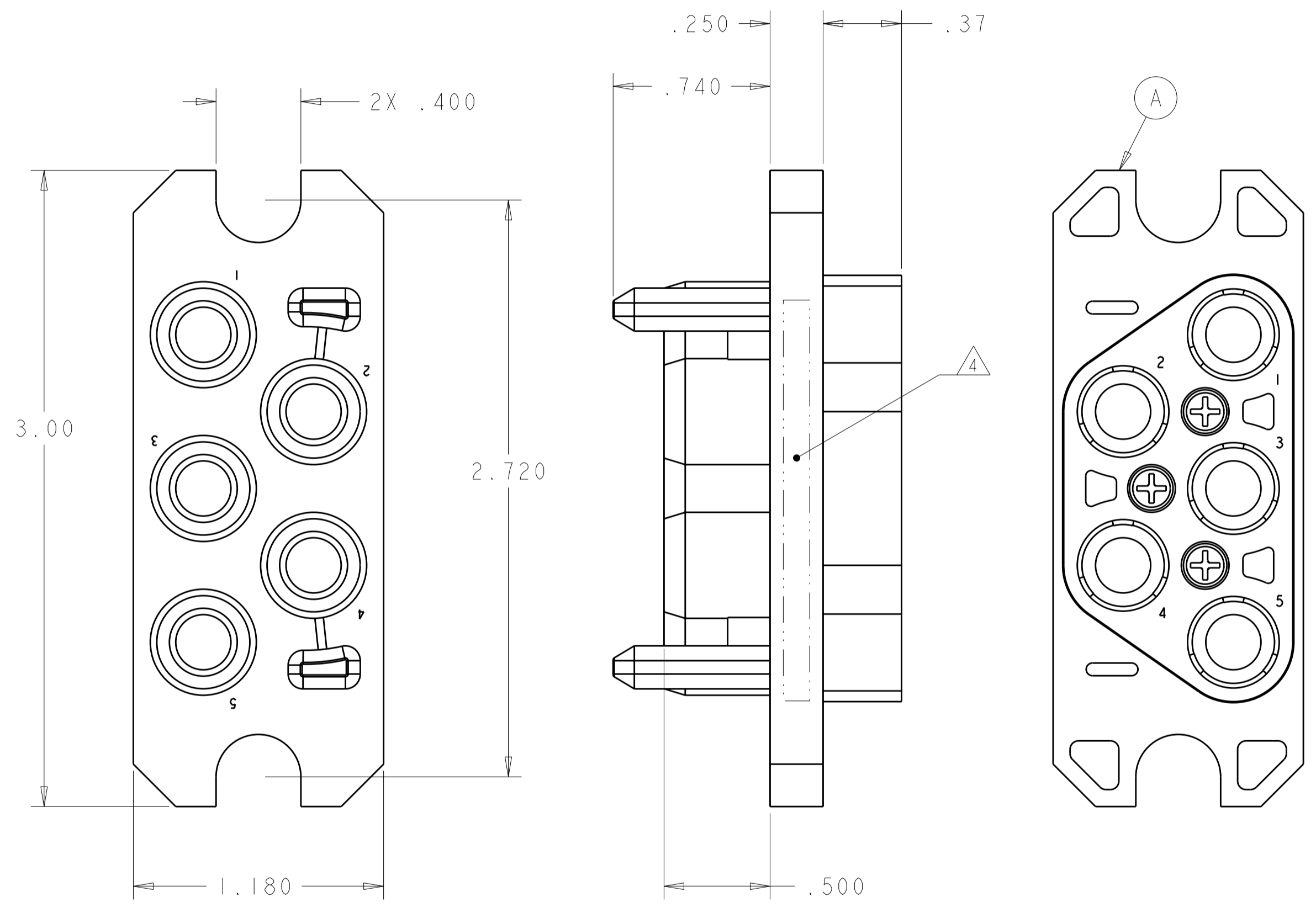


THIS DRAWING IS UNPUBLISHED. RELEASED FOR PUBLICATION 20
 © COPYRIGHT 20 BY TYCO ELECTRONICS CORPORATION. ALL RIGHTS RESERVED.

LOC		DIST		REVISIONS			
P	LTR	DESCRIPTION	DATE	DWN	APVD		
GP	00	A	NEW RELEASE	12FEB2008	RG	SF	



- PART NUMBER CHANGES AND OR DESIGN CHANGES AFFECTING THE INTERCHANGEABILITY REQUIRE PRIOR TYCO ELECTRONICS APPROVAL AND AUTHORIZATION BY REVISION TO THIS DRAWING.
- MATERIAL:
 INSULATOR: THERMOPLASTIC, GLASS REINFORCED, FLAMMABILITY RATED, COLOR: BLACK
 PIN CONTACT: COPPER ALLOY
 RETENTION CLIP: BERYLLIUM COPPER OR STAINLESS STEEL
- FINISH:
 SOCKET CONTACT: SILVER PLATE .000200 MIN THK. OVER NICKEL .000040 MIN THK.
 CROWN BAND: GOLD PLATE .000030 MIN THK. OVER NICKEL .000050 MIN THK.

△ 4 ITEMS PROVIDED TO THIS SPECIFICATION TO BE PERMANENTLY IDENTIFIED PER THE FOLLOWING IDENTIFIER:

YEAR 11 WEEK 1

TYCO ELECTRONICS P/N DATE CODE (e.g. 0216)

XXXXXXX-X XXXX

- CRIMP SOCKET CONTACTS (ITEM B) SHALL BE PACKAGED SEPARATELY AND PLACED IN THE BOX WITH THE CONN. ASSEMBLY.
- MOUNTING HARDWARE: SHOULDER SCREW REF. P/N 1650596-1 TO BE OREDED SEPERATELY, SHOWN FOR REFERENCE ONLY.

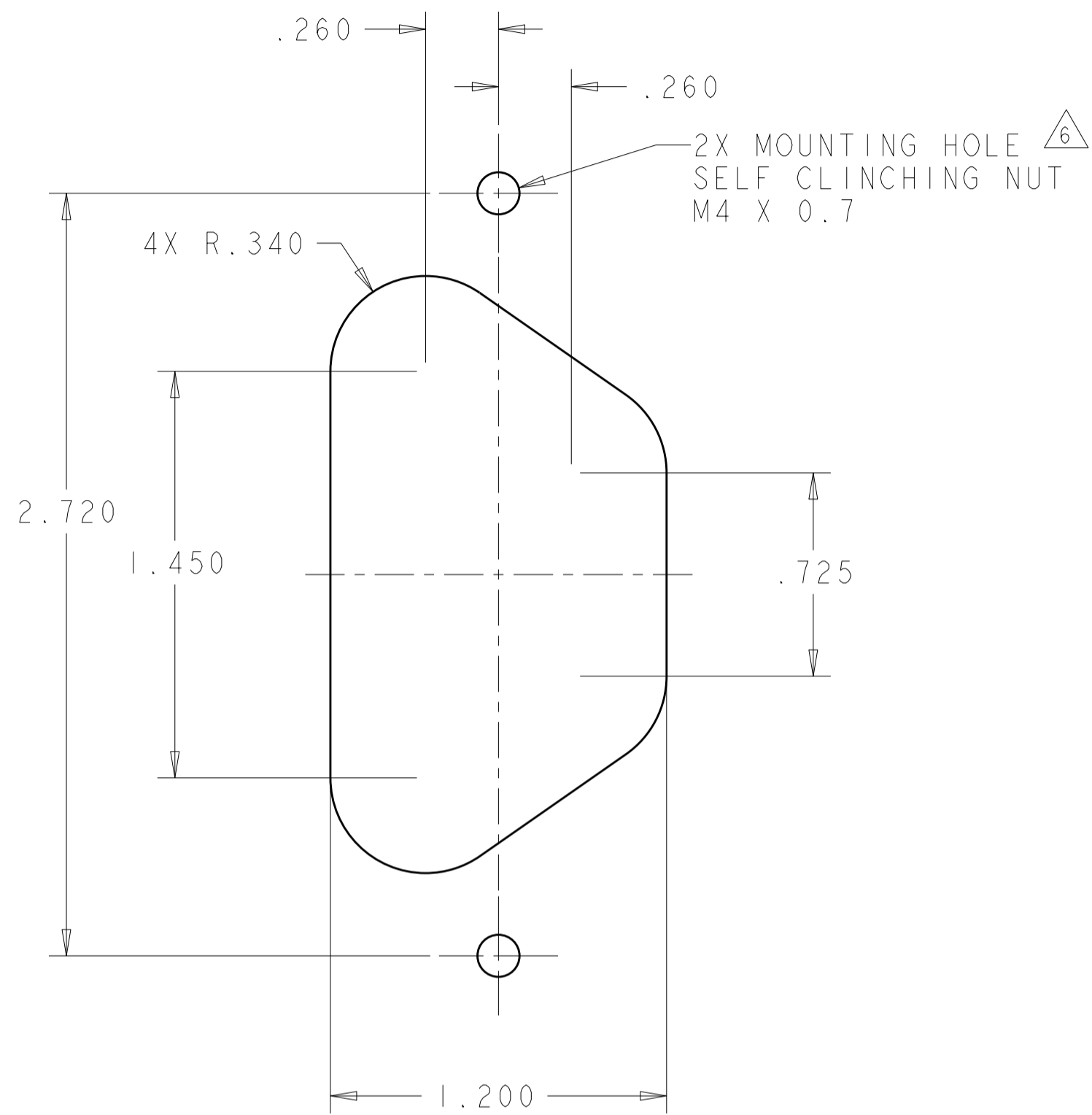
△ 5	5	1648434-1	CONTACT, SOCKET, No. 4, CRIMP	B
	1	1651458-2	HOUSING W/ RETENTION CLIPS	A
	-1	PART NUMBER	DESCRIPTION	ITEM

<small>THIS DRAWING IS A CONTROLLED DOCUMENT FOR TYCO ELECTRONICS CORPORATION. IT IS SUBJECT TO CHANGE AND THE CONTROLLING ENGINEERING ORGANIZATION SHOULD BE CONTACTED FOR THE LATEST REVISION.</small>		DWN R. GRZYBOWSKI 12FEB2008 CHK S. FLICKINGER 12FEB2008 APVD S. FLICKINGER 12FEB2008	Tyco Electronics Harrisburg, PA 17105-3608
DIMENSIONS: INCHES	TOLERANCES UNLESS OTHERWISE SPECIFIED: 0 PLC ± 1 PLC ±.02 2 PLC ±.02 3 PLC ±.010 4 PLC ± ANGLES ± FINISH	PRODUCT SPEC APPLICATION SPEC	NAME SOCKET CONNECTOR CRIMP CONTACTS P550 DRAWER
MATERIAL		WEIGHT	SIZE A2 CAGE CODE 00779 DRAWING NO. C-1643745 RESTRICTED TO
CUSTOMER DRAWING		SCALE 2:1	SHEET 1 OF 2 REV A

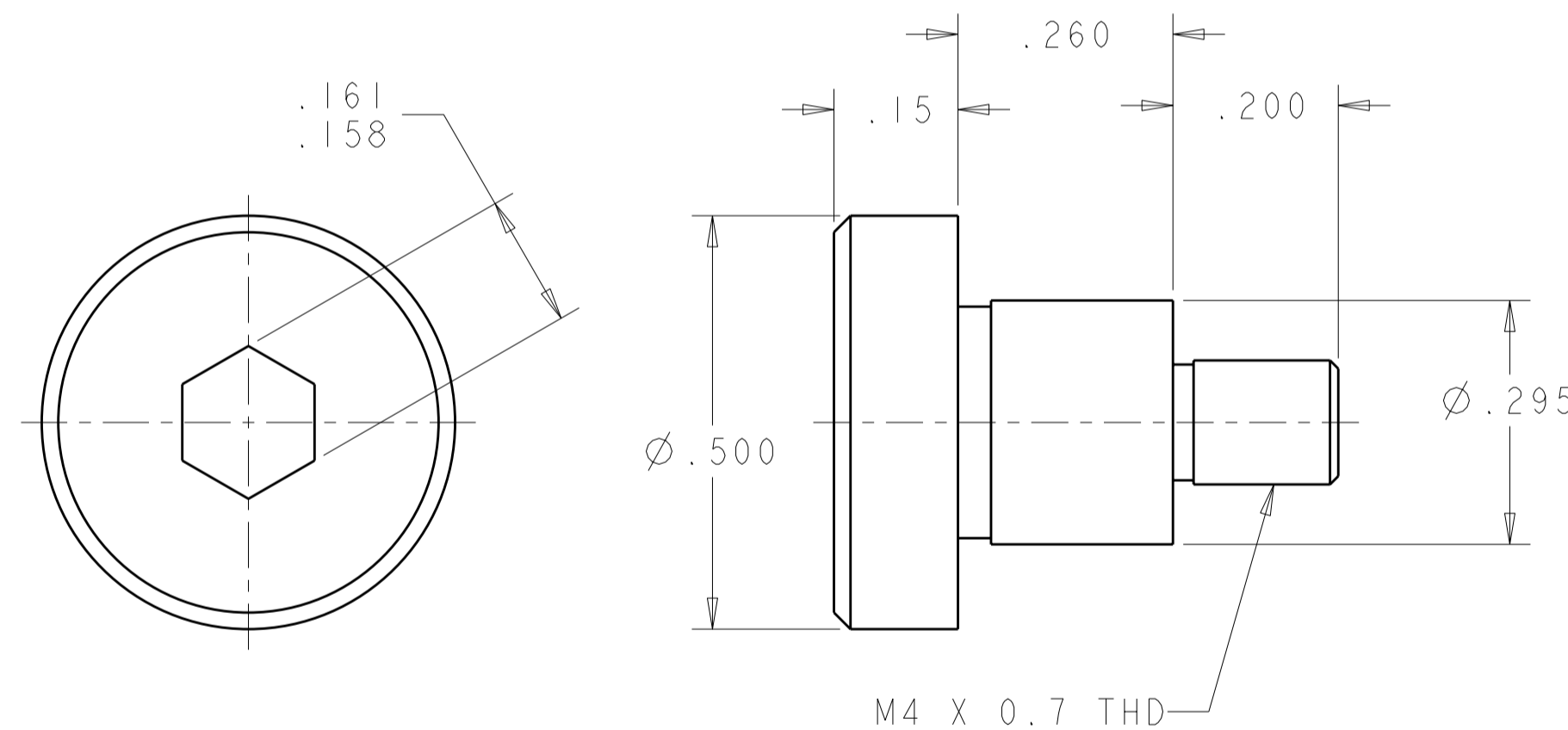
ELCON P550 DRAWER

THIS DRAWING IS UNPUBLISHED. RELEASED FOR PUBLICATION 20
 © COPYRIGHT 20 BY TYCO ELECTRONICS CORPORATION. ALL RIGHTS RESERVED.

LOC	DIST	REVISIONS			
P	LTR	DESCRIPTION	DATE	DWN	APVD
GP	00	-	SEE SHEET 1	-	-



SUGGESTED PANEL CUTOUT
 VIEWED FROM CONNECTOR MOUNTING SIDE



SHOULDER SCREW
 SCALE 5:1

ELCON P550 DRAWER

THIS DRAWING IS A CONTROLLED DOCUMENT FOR TYCO ELECTRONICS CORPORATION. IT IS SUBJECT TO CHANGE AND THE CONTROLLING ENGINEERING ORGANIZATION SHOULD BE CONTACTED FOR THE LATEST REVISION.		DWN R. GRZYBOWSKI 12FEB2008	Tyco Electronics Harrisburg, PA 17105-3608	
DIMENSIONS: INCHES		CHK S. FLICKINGER 12FEB2008	NAME SOCKET CONNECTOR CRIMP CONTACTS P550 DRAWER	
TOLERANCES UNLESS OTHERWISE SPECIFIED: 0 PLC ± 1 PLC ± 2 PLC ±.02 3 PLC ±.010 4 PLC ± ANGLES ± FINISH		APVD S. FLICKINGER 12FEB2008	SIZE A200779	DRAWING NO C-1643745
MATERIAL		PRODUCT SPEC -	RESTRICTED TO -	
		APPLICATION SPEC -	SCALE 2:1	SHEET 2 OF 2
		WEIGHT -	REV A	
		CUSTOMER DRAWING		