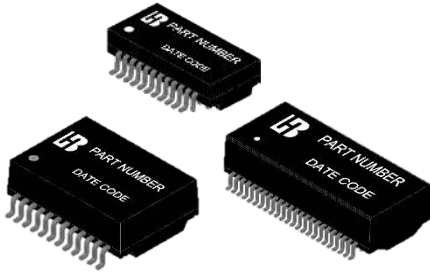






2.5G Magnetic Modules

AGST5009xx , AVP2014xx , AGS2014xx



-  Complying with IEEE 802.3bz standard
-  Compatible with all Major PHYs
-  RoHS compliant and Halogen Free
-  Ideal for Commercial or Industrial switches and high-volume consumer applications



Electrical Specification @ 25°

PART NUMBER	Media side Inductance (@100KHz/0.1Ve) uH min	Insertion Loss dB max		Return Loss dB min		PoE (Current Per Pair mA)	Operating Temperature (°C)	Isolation (Pri:Sec)	Note
		1-100 MHz	125 MHz	1-40MHz	40 < f ≤ 125 MHz				
		AVP2014R	180	-1.0	-1.5				
AVP2014RS1	180	-1.0	-1.5	-16	- (16-10 log ₁₀ (f /40))	-	0 to +70	3000Vrms	Surge CM 4KV
AGS2014R	180	-1.0	-1.5	-16	- (16-10 log ₁₀ (f /40))	-	0 to +70	1500Vrms	-
AGST5009B	180	-0.5	-1	-20	- (20-10 log ₁₀ (f /40))	-	0 to +70	1500Vrms	-
QVPR2014R	180	-0.5	-1	-20	- (20-10 log ₁₀ (f /40))	-	0 to +70	1500Vrms	-

Note: Refer to the specification for detail

Process and Materials

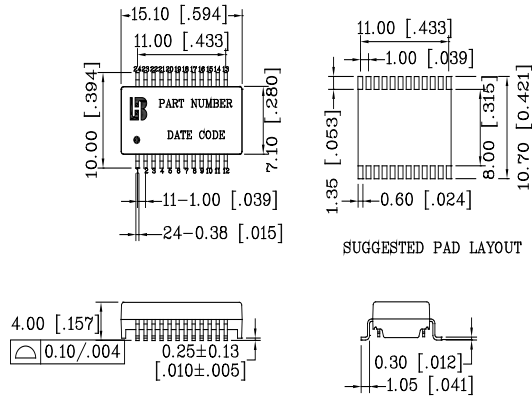
1. Storage Temperature: Refer to the specification for details
2. Compliance to J-STD:
 - A. J-STD-002: Solderability at 245°C Reflow Profile
 - B. J-STD-020: Moisture Sensitive Level 1
 - C. J-STD-075: R7, 245°C Maximum Through Reflow Solder
3. All parts come in 13" (330mm) Diameter Tape and reel | - see page3-4 for details
4. Header: DAP (Diallyl Phthalate) with flammability Rating UL 94V-0 or better
5. Lead Frame: Cooper Alloy
 - Underplated: Half Hard Ductile Nickel 40-118" (1.0 -3.0um)
 - Over plated: 100% Tin electro-deposited per 240~400u"Min(6~10um)
 - Finish: Matte finish 100% Tin solder

2.5G Magnetic Modules

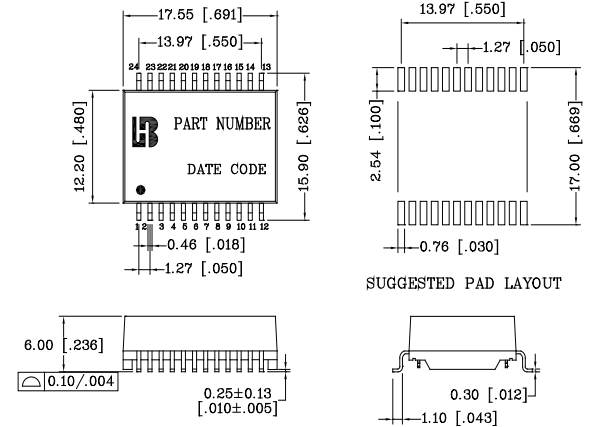
,AGST5009xx , AVP2014xx , AGS2014xx

Mechanical

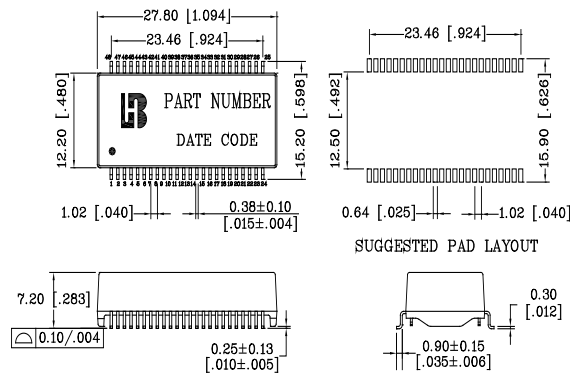
AGST5009B



A/QVP2014xx



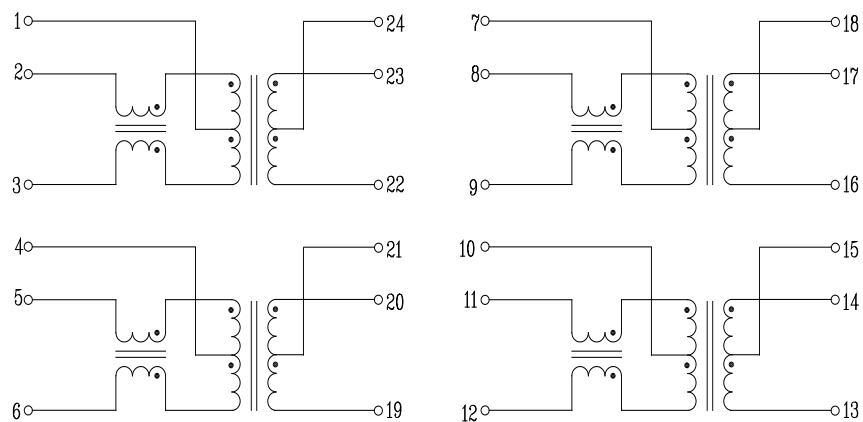
AGS2014R



Dimensions: mm / [Inches]
 Unless otherwise specified, all tolerances are:
 xx.xx ± 0.25 [.010]
 0.xx ± 0.05 [.004]

Schematic

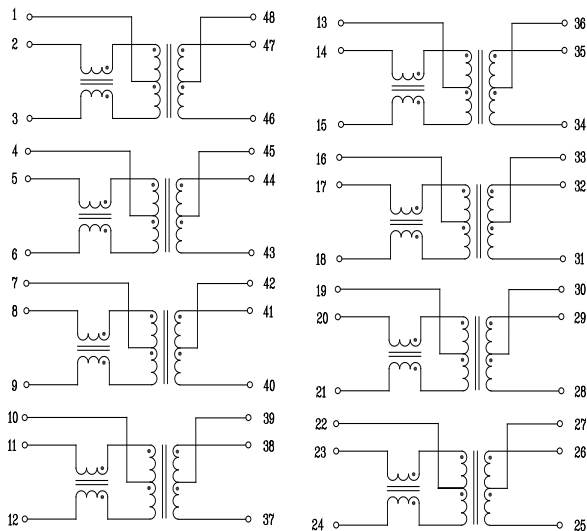
AGST5009B, AGS2014R, AVP2014R, QVP2014R, AVP2014RS1



2.5G Magnetic Modules

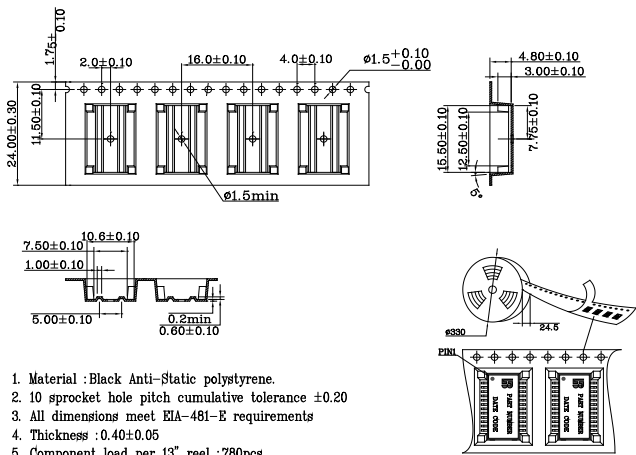
AGST5009xx , AVP2014xx , AGS2014xx

AGS2014R

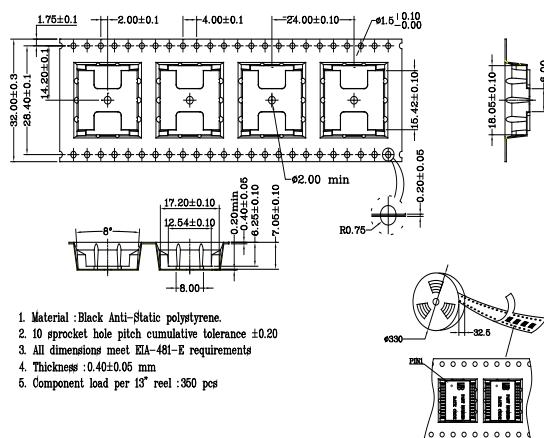


Tape & Reel

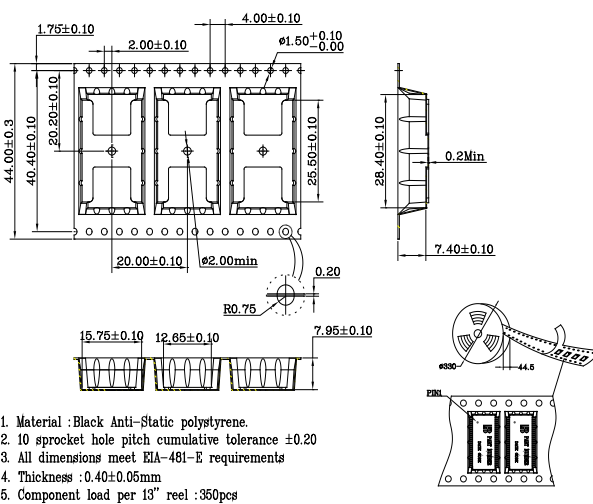
AGST5009B



AGS2014R



AVP2014R, QVPR2014R, AVP2014RS1

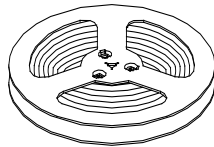


2.5G Magnetic Modules

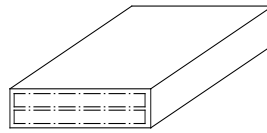
AGST5009xx , AVP2014xx , AGS2014xx

Carton Package

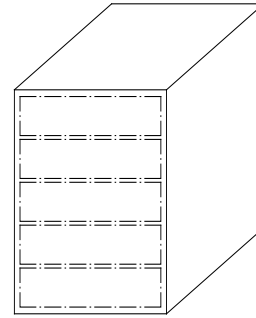
AGST5009xx



REEL



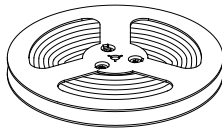
INNER BOX: 347x347x82



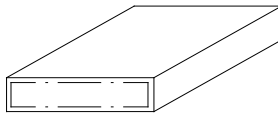
OUTER CARTON: 375x375x470

1. 1 REEL=780PCS
2. 1 INNER BOX=2 REELS=1560PCS
3. 1 OUTER CARTON=5 INNER BOXES=7800PCS

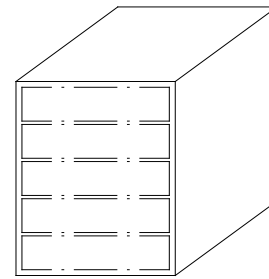
AGS2014R, AVP2014R , AVP2014RS1 , QVPR2014R



REEL



INNER BOX: 347x347x82



OUTER CARTON: 375x375x470

1. 1 REEL=350PCS
2. 1 INNER BOX=1 REEL=350PCS
3. 1 OUTER CARTON=5 INNER BOXES=1750PCS

For More Information:

Americas-prodinfonetworkamericas@pulseelectronics.com | Europe-comms-Apps-Europe@pulseelectronics.com | Asia-prodinfonetworkapac@pulseelectronics.com

Performance warranty of products offered on this datasheet is limited to the parameters specified. Data is subject to change without notice. Other brand and product names mentioned herein maybe trademarks or registered trademarks of their respective owners.

©Copyright,2021.PulseElectronics,Inc.Allrightsreserved.