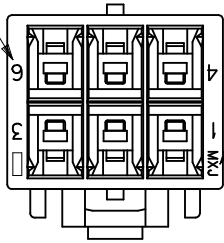
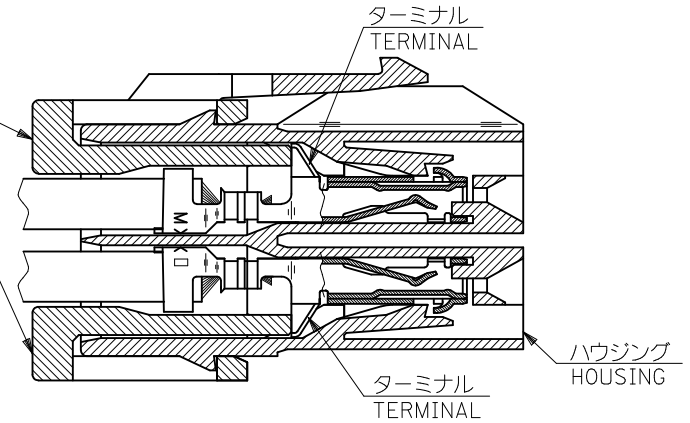


回路番号
CKT.NO.

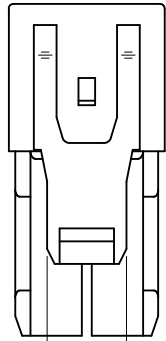


トレードマーク
TRADE MARK

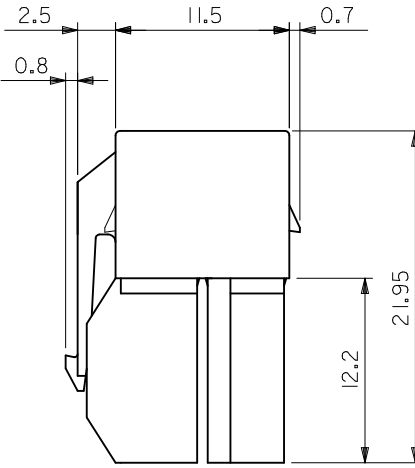
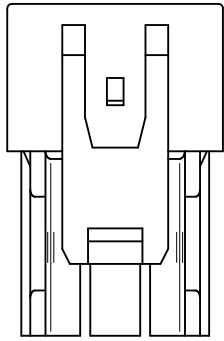
リテーナー
RETAINER



ターミナル及びリテーナー装着状態図
TERMINAL & RETAINER ASSEMBLY DRAWING.



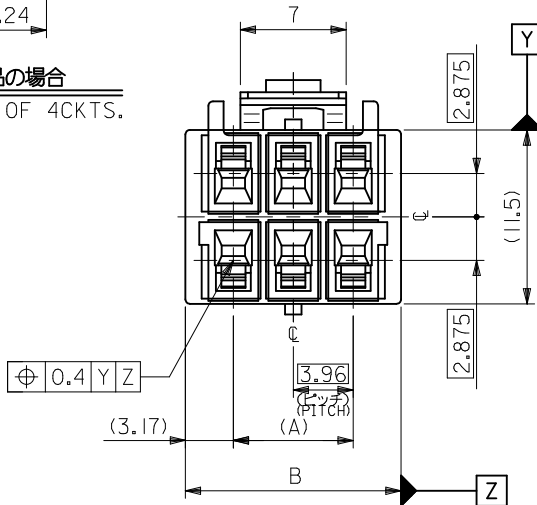
5.24



注記 NOTE

- 適合ターミナル : 50597,50598 シリーズ
APPLICABLE TERMINAL : 50597,50598 SERIES.
- 適合リテーナー : 51140 シリーズ
APPLICABLE RETAINER : 51140 SERIES.
- 嵌合相手 : 53720,53727,51139(6極)シリーズ
MATE WITH : 53720,53727,51139(6p) SERIES.

4極品の場合
IN CASE OF 4CKTS.

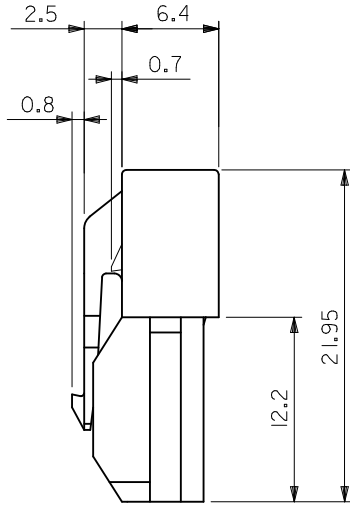
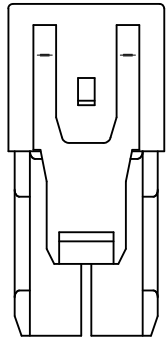
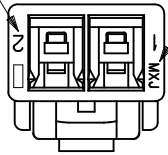


14.26	7.92	51138-0600	6
B	A	ENG. NO.	極数 NO. OF CKT.

REVISED EC NO: J2011-1755 DRWN:KAWABATA 2011/06/27 CHKD:THARUYAMA 2011/06/27 APPR:HIRATA 2011/06/28	GENERAL TOLERANCES (UNLESS SPECIFIED)		DIMENSION STYLE MM ONLY	SCALE ---	DESIGN UNITS METRIC	THIRD ANGLE PROJECTION
	10 UNDER	±0.2	DRAWN BY H.HASEGAWA	DATE '95/12/15	TITLE 3.96 W/W & W/B REC HSG	
	10 OVER 30 UNDER	±0.25	CHECKED BY S.KUNISHI	DATE '98/04/14	MOLEX INCORPORATED	
	30 OVER	±0.3	APPROVED BY M.FUKUSHIMA	DATE '98/04/14	DOCUMENT NO. SD-51138-001	SHEET NO. 1 OF 2
	ANGULAR ±3 °	DRAFT WHERE APPLICABLE MUST REMAIN WITHIN DIMENSIONS	MATERIAL NO. SEE TABLE	THIS DRAWING CONTAINS INFORMATION THAT IS PROPRIETARY TO MOLEX INCORPORATED AND SHOULD NOT BE USED WITHOUT WRITTEN PERMISSION		

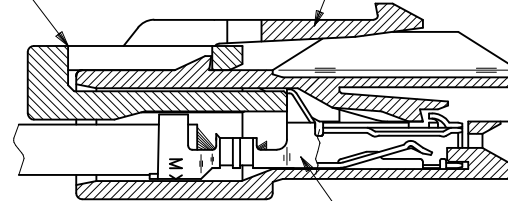
回路番号
CKT.NO.

トレードマーク
TRADE MARK



リテーナー
RETAINER

ハウジング
HOUSING



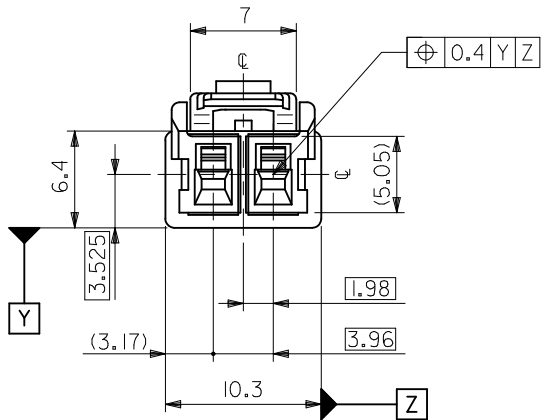
ターミナル
TERMINAL

ターミナル及びリテーナー装着状態図
TERMINAL & RETAINER ASSEMBLY DRAWING.

注記 NOTE

1. 適合ターミナル : 50597,50598 シリーズ
APPLICABLE TERMINAL : 50597,50598 SERIES.
2. 適合リテーナー : 51140 シリーズ
APPLICABLE RETAINER : 51140 SERIES.
3. 嵌合相手 : 51139 シリーズ
MATE WITH : 51139 SERIES.

2極に適用
FOR 2 CKTS.



51138-0200	2
ENG. NO.	極数 NO. OF CKT.

REVISED EC NO: J2011-1755 DRWN: KAWABATA 2011/06/27 CHKD: THARUYAMA 2011/06/27 APPR: HIRATA 2011/06/28	GENERAL TOLERANCES (UNLESS SPECIFIED)		DIMENSION STYLE MM ONLY	SCALE ---	DESIGN UNITS METRIC	THIRD ANGLE PROJECTION
	10 UNDER	±0.2	DRAWN BY T. ASAKAWA	DATE '97/03/27	TITLE 3.96 W/W & W/B REC HSG SHEET 2 OF 2	
	10 OVER 30 UNDER	±0.25	CHECKED BY S. KUNISHI	DATE '97/03/27	MOLEX INCORPORATED	
	30 OVER	±0.3	APPROVED BY M. FUKUSHIMA	DATE '97/03/27	MATERIAL NO. SEE TABLE	DOCUMENT NO. SD-51138-001
	ANGULAR ±3 °	DRAFT WHERE APPLICABLE MUST REMAIN WITHIN DIMENSIONS	SIZE A3	THIS DRAWING CONTAINS INFORMATION THAT IS PROPRIETARY TO MOLEX INCORPORATED AND SHOULD NOT BE USED WITHOUT WRITTEN PERMISSION		