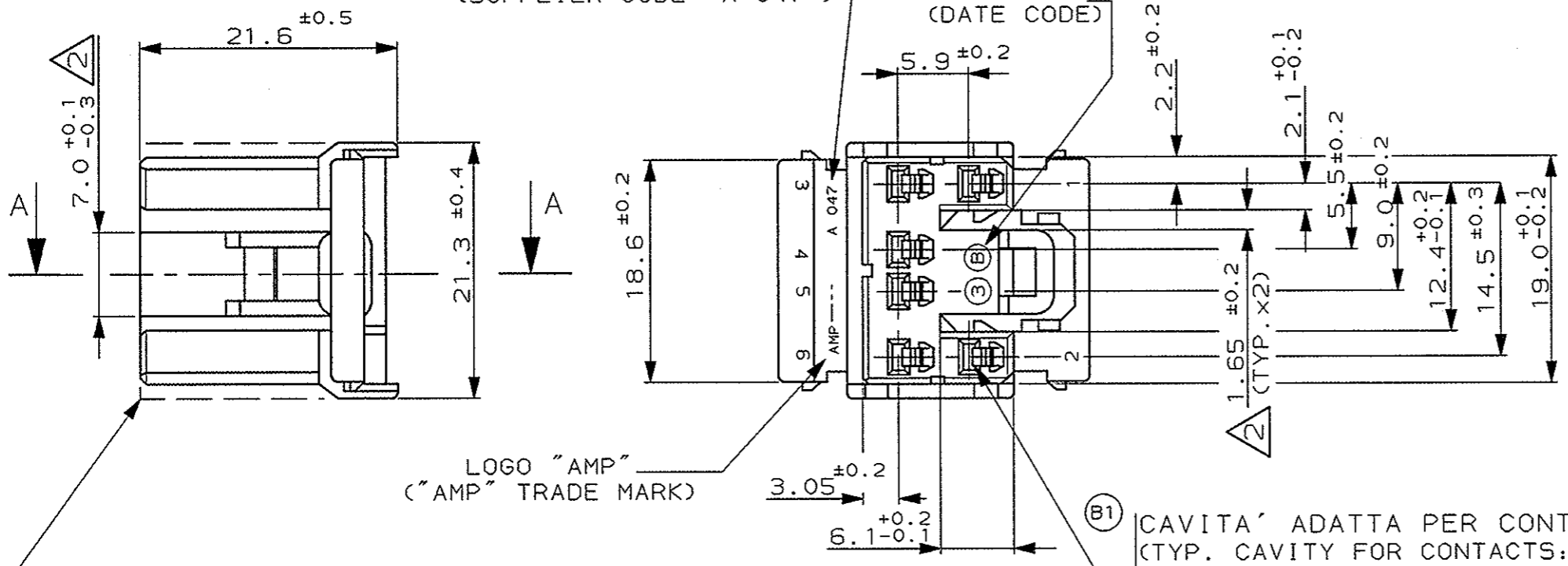


CODICE FORNITORE "A 047"  
 (SUPPLIER CODE "A 047")

DATARIO (DATE CODE)

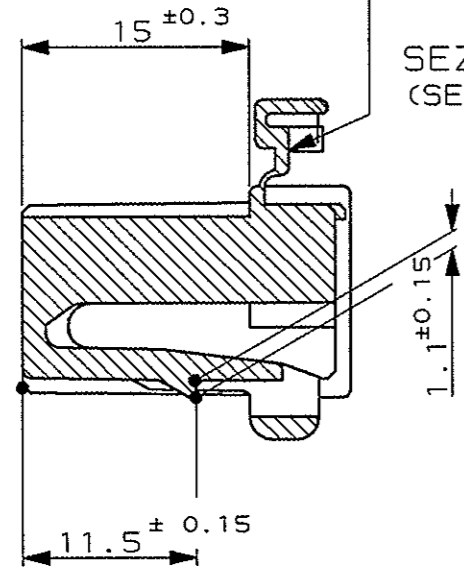


LOGO "AMP"  
 ("AMP" TRADE MARK)

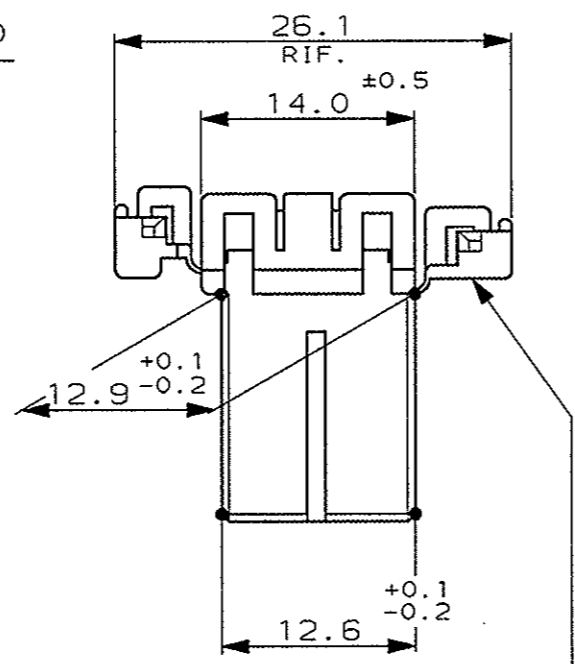
PER DETTAGLIO POLARIZZAZIONI VEDERE FOGLIO 2 DI 3  
 PER P/NS CONTROPARTI PORTAMASCHI, VEDERE TABELLA.  
 (FOR POLARIZATION DETAIL SEE SHEET 2 OF 3, FOR  
 COUNTERPART CAP HSG. P/NS SEE THE TABLE).

CAVITA' ADATTA PER CONTATTI:  
 (TYP. CAVITY FOR CONTACTS:)  
 282374-1 SEZ. 0.3-0.5 mm<sup>2</sup> (FIAT No. 1-23197-44)  
 282375-1 SEZ. 0.75-1.5 mm<sup>2</sup> (FIAT No. 1-24834-44)

NO. DI IMPRONTA STAMPO  
 (MOULD CAVITY IDENTIF. NO.)



SEZIONE A-A  
 (SECTION A-A)



NUM. DI CAVITA' (CIRCUIT IDENTIF. NO.)

OBSOLETE	282442-4	GRIGIO (GREY)	PBT (PBT UNFILLED)	282441-4
	282442-3	BLU (BLUE)		282441-3
OBSOLETE	282442-2	NERO (BLACK)		282441-2
	282442-1	BIANCO (NATURAL)		282441-1
	PORTAMASCHI VOLANTE (CAP HOUSING)	COLORE (COLOUR)	MATERIALE (MATERIAL)	NUMERO (PART NUMBER)

1) PER RAPPRESENTAZIONE DIMA CONTROPARTE VEDERE FOGLIO 3 DI 3.  
 (FOR COUNTERPART DETAIL SEE SHEET 3 OF 3).

B1  $\triangle$  QUOTA VALIDA SOLO PER VERSIONE 282441-1.  
 (VALID DIMENSION ONLY FOR 282441-1 VERSION)

**CUSTOMER DWG. FOR REFERENCE ONLY**     **DISEGNO PER CLIENTE SOLO PER RIFERIMENTO**

THIS DRAWING IS UNPUBLISHED.     RELEASE FOR PUBLICATION     19

© COPYRIGHT 19 BY AMP INCORPORATED, HARRISBURG, PA. ALL INTERNATIONAL RIGHT RESERVED. AMP PRODUCTS MAY BE COVERED BY U.S. AND FOREIGN PATENT AND/OR PATENT PENDING

TOLLERANZE, SE NON DIVERSAMENTE SPECIFICATO     DIAM. ISOLANTE (INS. DIA. RANGE)     RANGO FILO (WIRE RANGE)     SCALA (SCALE)

B3 REVISED PER ECN-22-144343     AP/VN 18MAR 2022     ± 0.3

B2 REVISED PER ECO-20-003218     AP/VN 08MAY 2020     (TOLERANCES, UNLESS OTHERWISE SPECIFIED)

B1 REVISED     M.G. 31-5 05     ANGOLI (ANGLES)     ± 2°

B RELEASED AND REVISED FOR ET00-0298-97     M.P. 29-7 97     DIS. M. PALMA (DR.) 23 MAY '97

2 AGG. CODICE FIAT     R.M. 25-10 93     CONT. C. TARTARI (CHK) 23 MAY '97

1 AGGIORNATO     R.M. 1-4 93

REV. (REV. LTR.)     REVISIONI (REVISION RECORD)     DIS. (DR)     DATA (DATE)

LOC. SIZE NUMERO (DWG NO)     REV.     FOGLIO (SHEET)

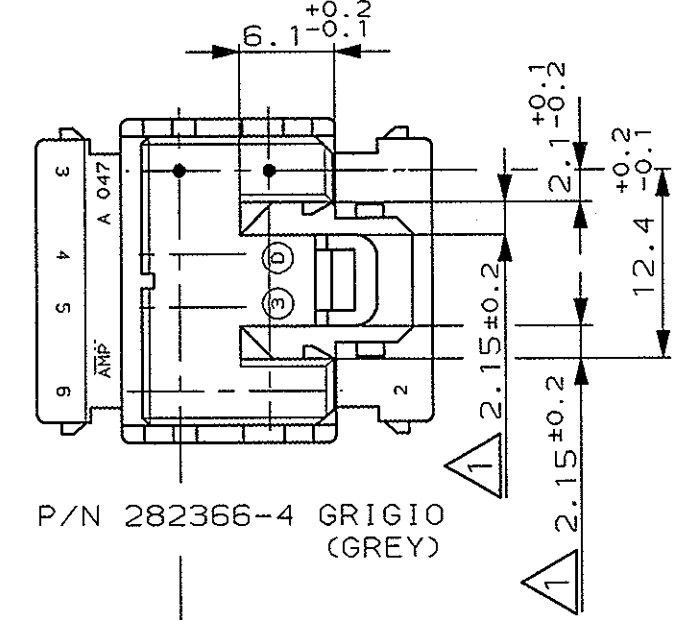
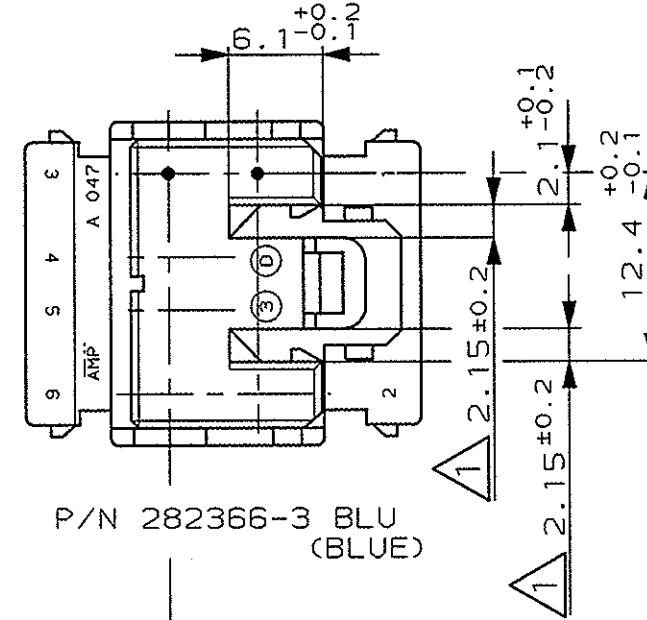
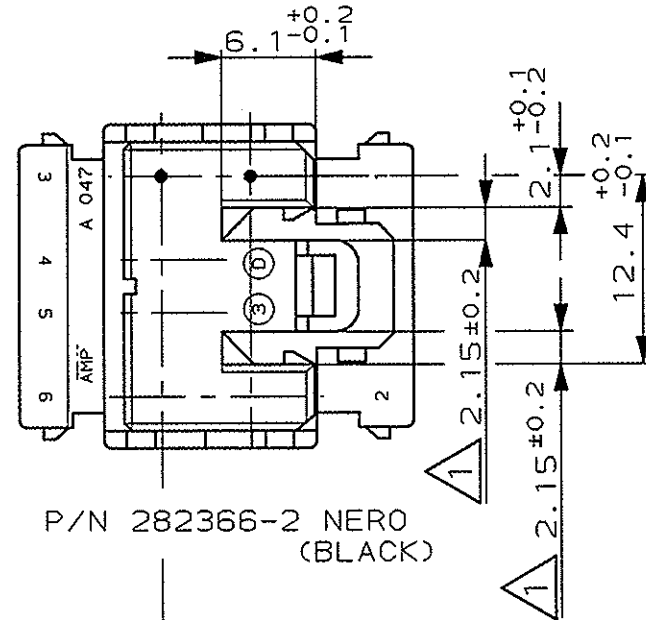
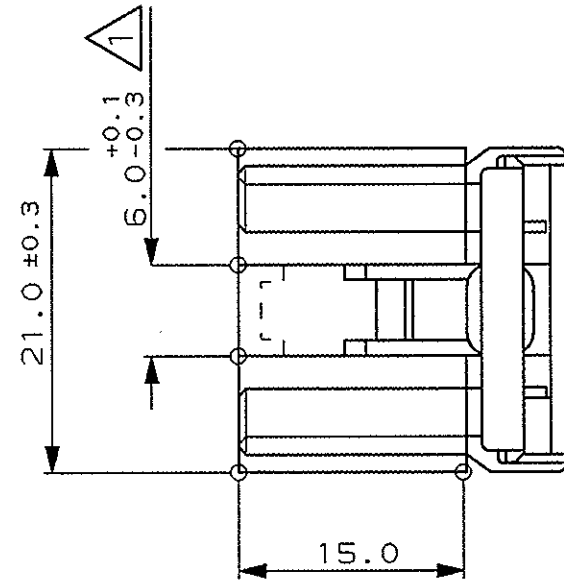
I A3 C-282441     B3     1 01 3

**TE Connectivity**

DESCRIZIONE (DESCRIPTION) 070 SERIES MULTILOCK\*  
 CONN. PLUG HOUSING 6 POSITION (PORTAFEMMINE) DOUBLE ROW

DISTRIBUZIONE (PRINT DIST.)

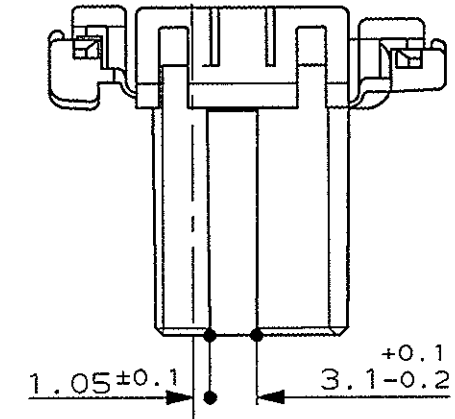
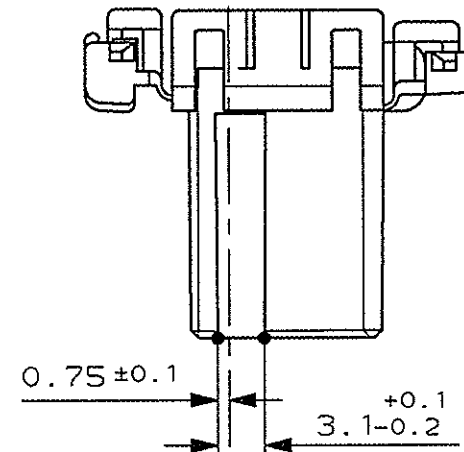
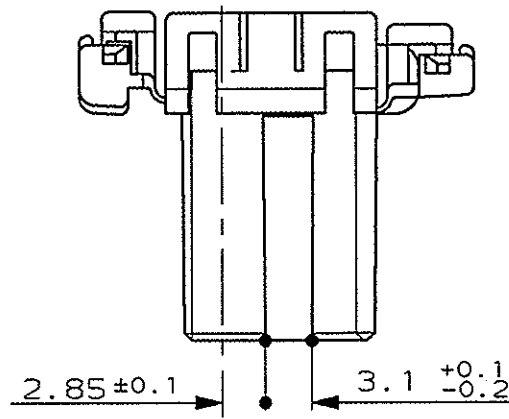
RAPPRESENTAZIONE GRAFICA VERSIONI POLARIZZATE  
(DETAIL REPRESENTATION OF POLARIZATION VERSIONS)



ASSE CAVITA' (CAVITY AXIS)

ASSE CAVITA' (CAVITY AXIS)

ASSE CAVITA' (CAVITY AXIS)



(B1)  $\triangle$  QUOTA VALIDA PER VERSIONI 282441-2; -3; -4  
(VALID DIMENSION ONLY FOR 282441-2; -3; -4 VERSIONS)

COLORE (COLOUR)	MATERIALE (MATERIAL)	NUMERO (PART NUMBER)
CUSTOMER DWG. FOR REFERENCE ONLY	DISEGNO PER CLIENTE SOLO PER RIFERIMENTO	
- THIS DRAWING IS UNPUBLISHED -		RELEASE FOR PUBLICATION 19
© COPYRIGHT 19 BY AMP INCORPORATED, HARRISBURG, PA. ALL INTERNATIONAL RIGHT RESERVED. AMP PRODUCTS MAY BE COVERED BY U.S. AND FOREIGN PATENT AND/OR PATENT PENDING		
TOLLERANZE: SE NON DIVERSAMENTE SPECIFICATO (TOLERANCES: UNLESS OTHERWISE SPECIFIED)	DIAM. ISOLANTE (INS. DIA. RANGE)	RANGO FILO (WIRE RANGE)
± 0.3		
ANGOLI (ANGLES)	SCALA (SCALE)	
± 2°	2:1	
DIS. (DR.)		
CONT. (CHK)		
REV. (REV. LVL.)	DESCRIZIONE (DESCRIPTION)	LOC. SIZE NUMERO (DWG NO)
REVISIONI (REVISION RECORD)	070 SERIES MULTILOCK* CONN. PLUG HOUSING 6 POSITION (PORTAFEMMINE) DOUBLE ROW	I A3 C-282441
DIS. DATA (DR. DATE)	APP. (APP.)	REV. FOGLIO (SHEET)
		B3 2 DI (OF) 3

(SEE SHEET 1 OF 3)

(SEE SHEET 1 OF 3)

DISTRIBUZIONE (PRINT DIST.)

