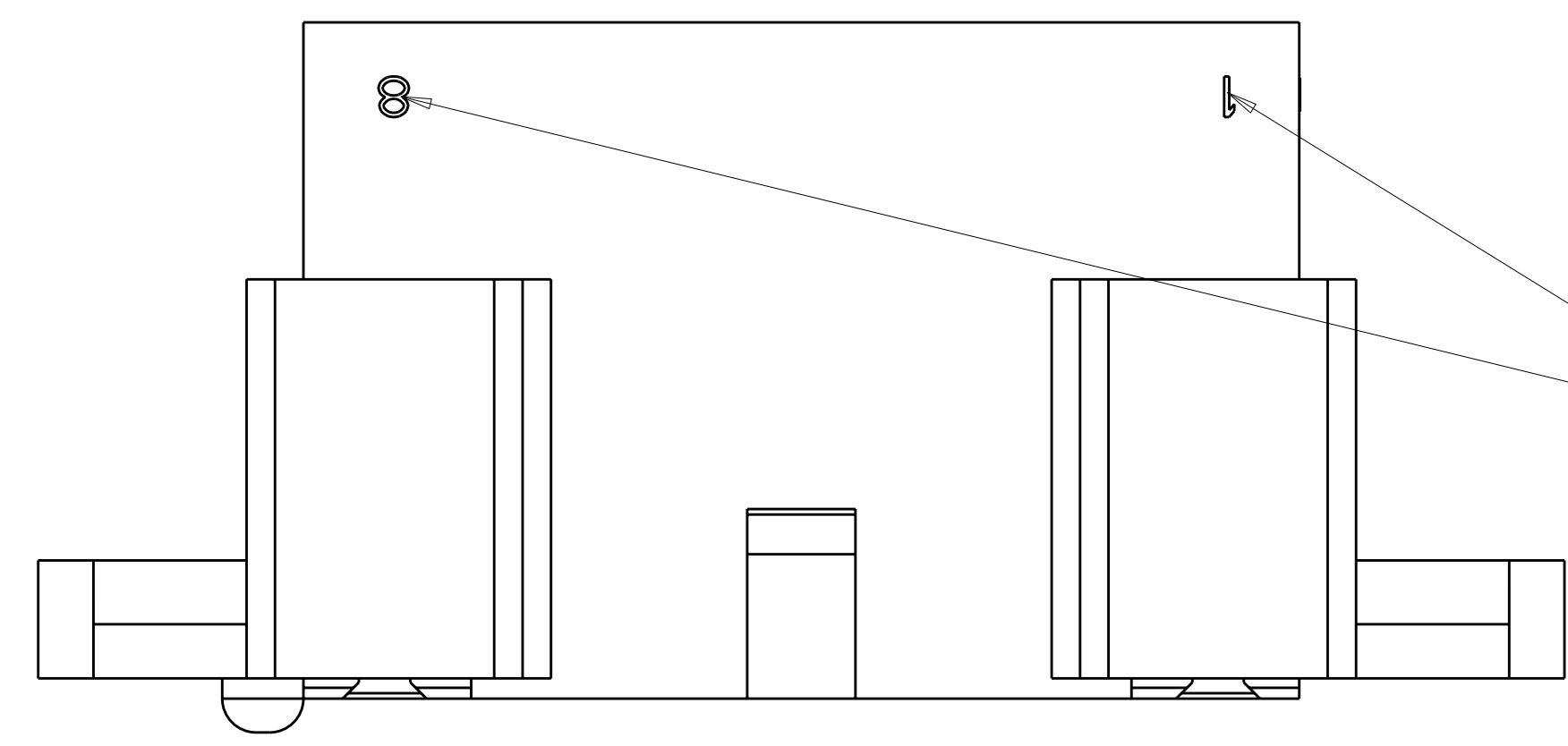
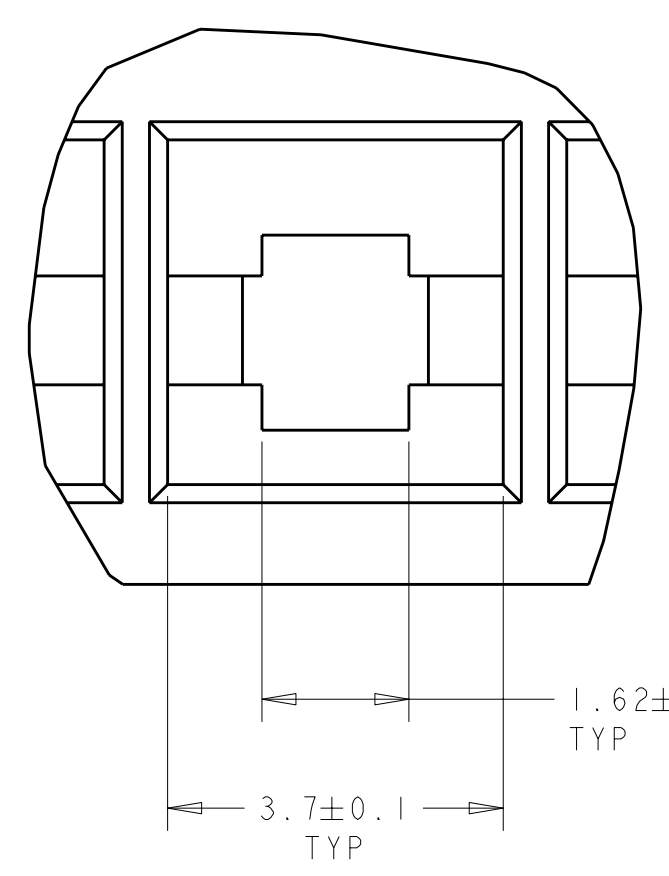


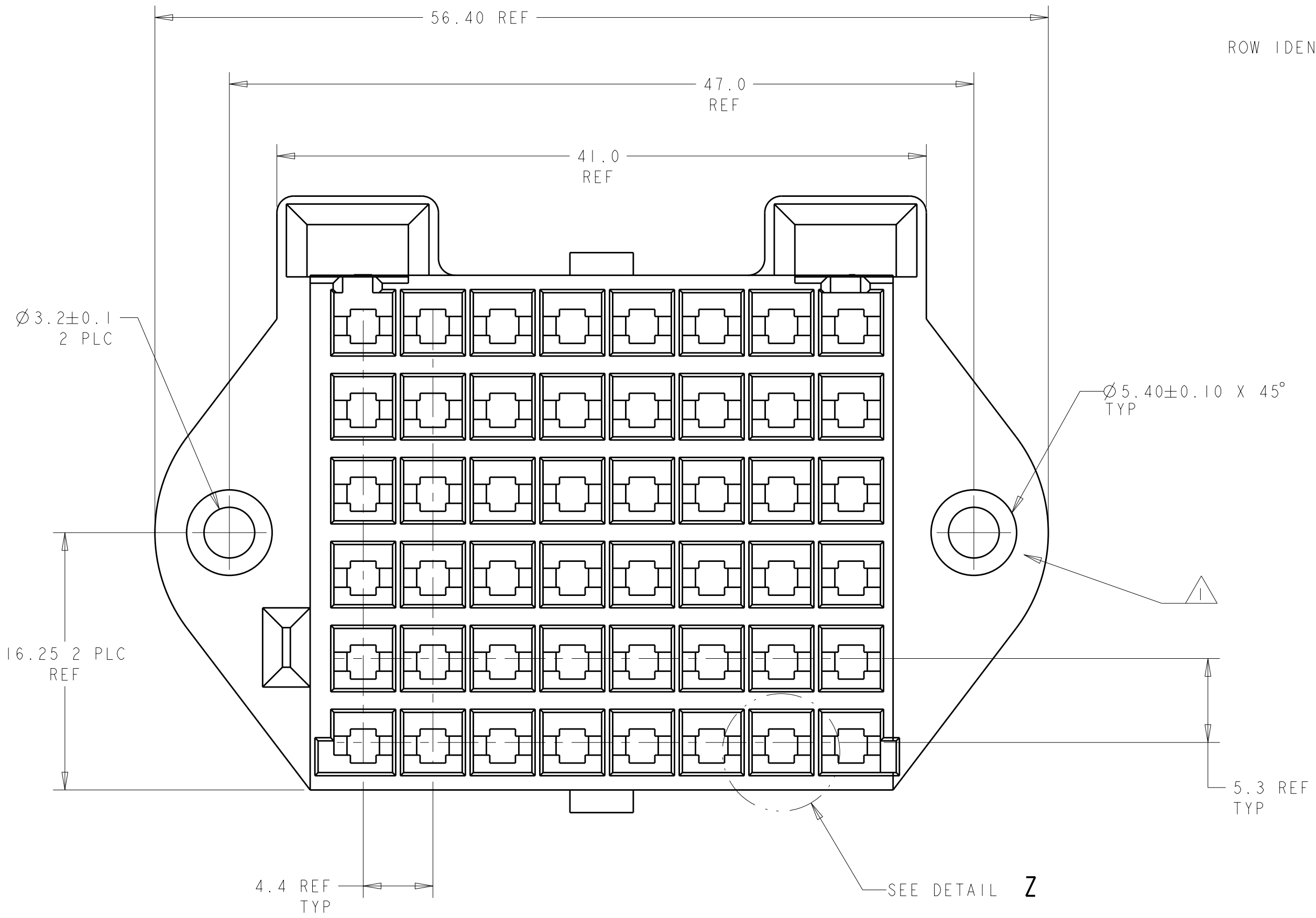
LOC	DIST	REVISIONS					
AD	00	P	LTR	DESCRIPTION	DATE	DWN	APVD
		A		RELEASED PER ECO-07-017382	01AUG2007	WS	AF
		B		REV PER ECO-07-018771	09AUG2007	WS	AF



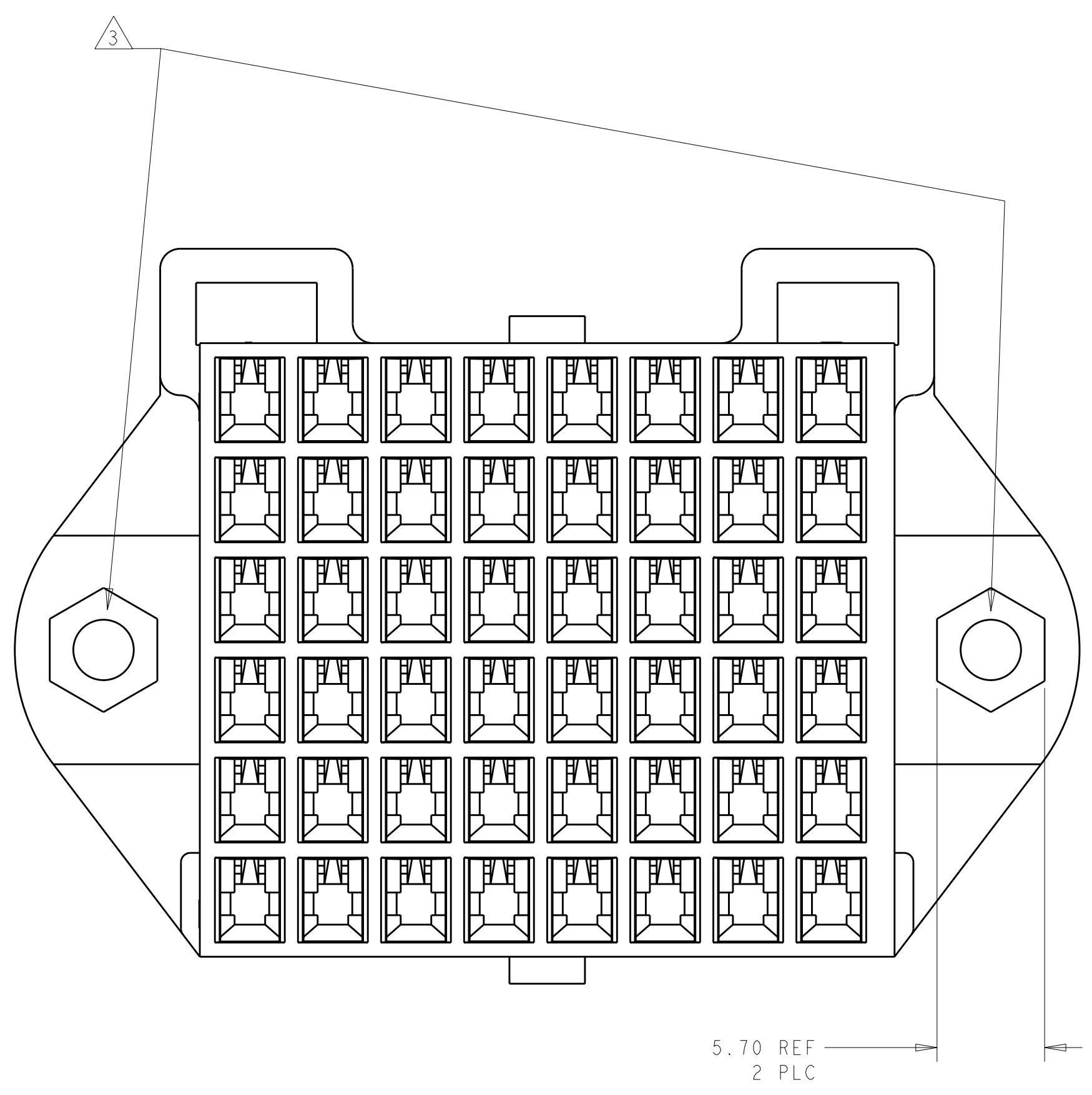
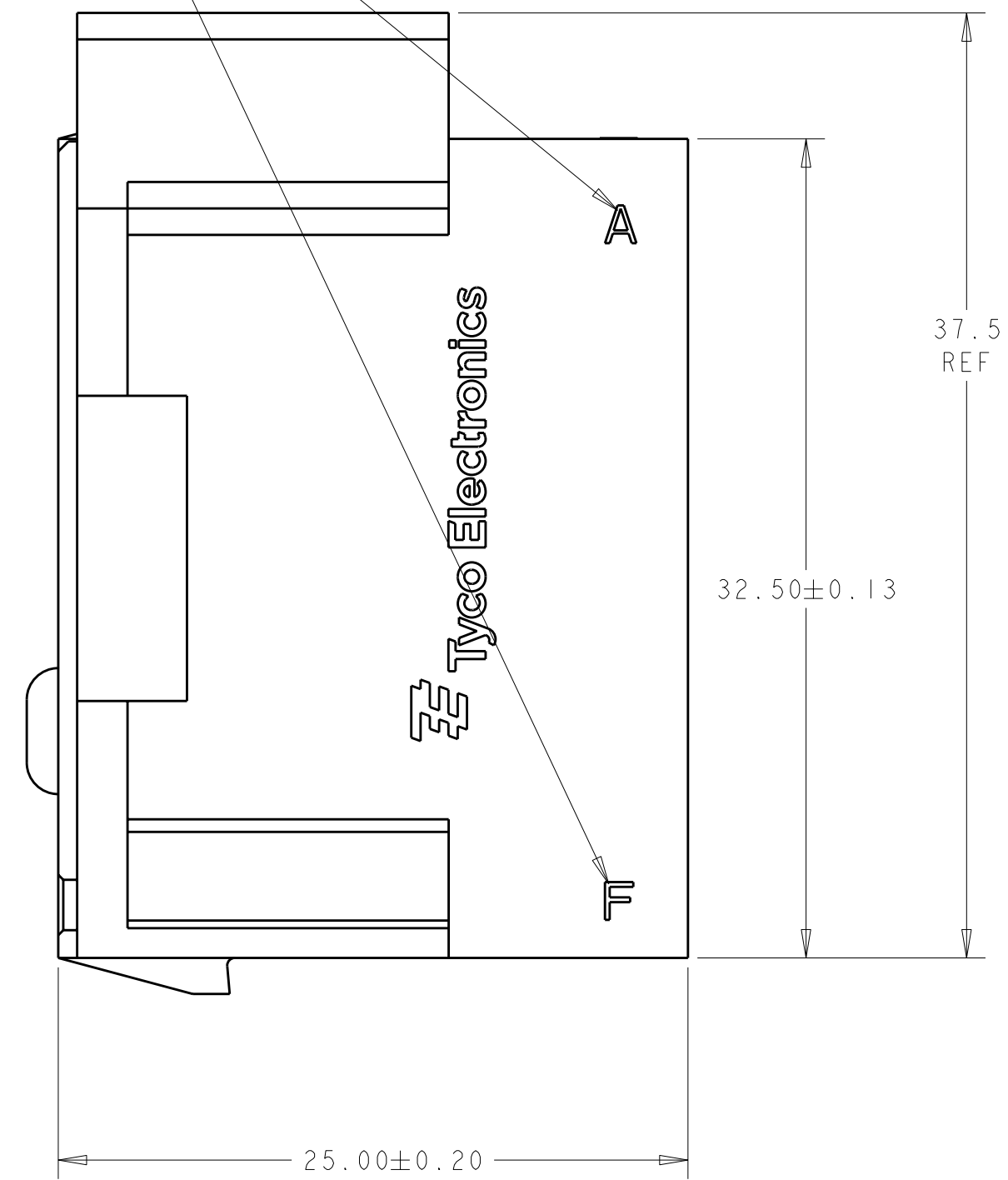
COLUMN IDENTIFICATION



DETAIL Z
SCALE 12:1



ROW IDENTIFICATION



- 1. PBT UL94V-0.
- 2. ALL SHARP CORNERS ON PANEL CUT-OUT MAY HAVE A R0.1 MAX.
- 3. ALLOWS FOR A STYLE I M3 HEX NUT.

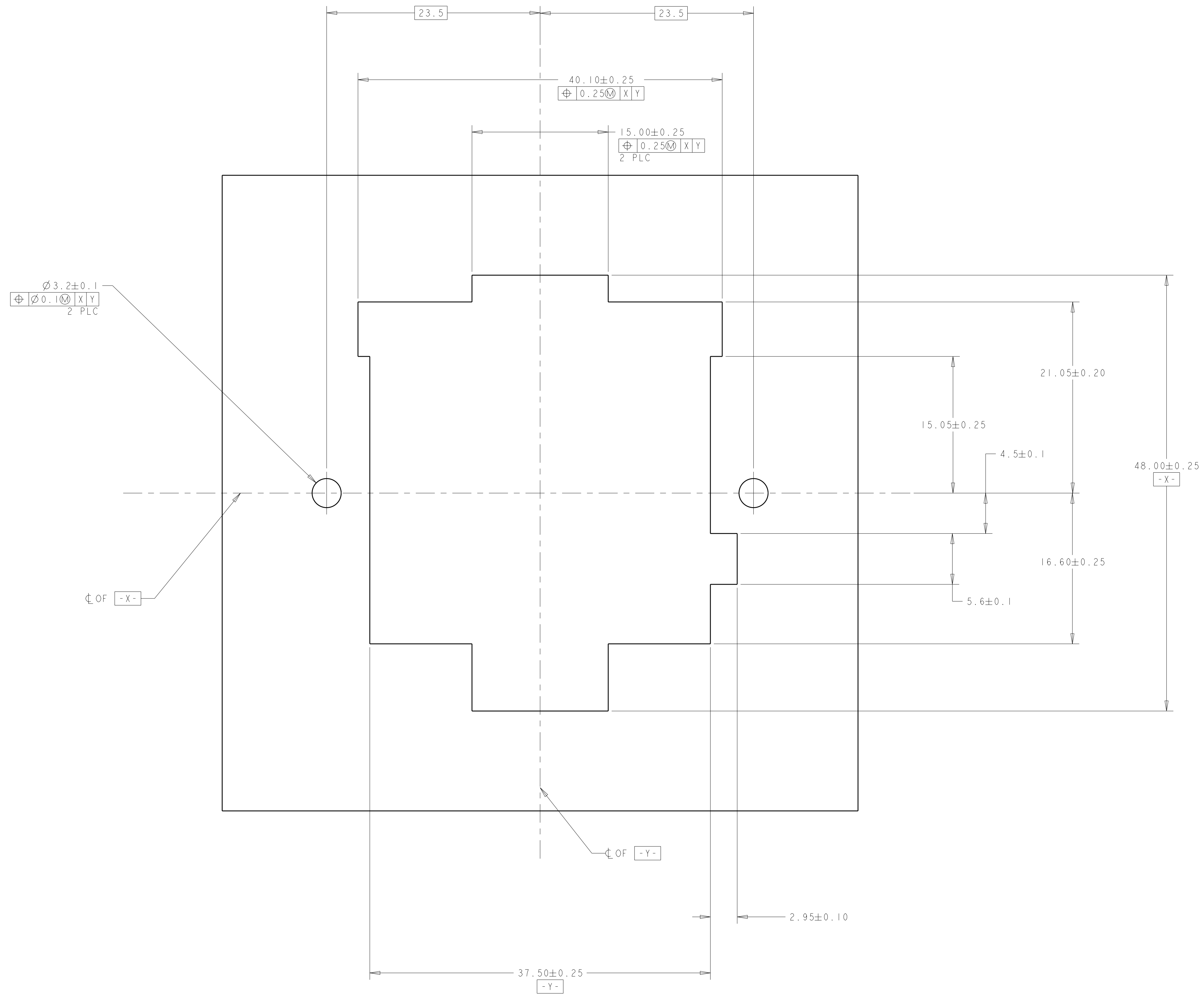
**THIS PRODUCT HAS NOT COMPLETED
VALIDATION TESTING**

1934142-1
PART NUMBER

DIMENSIONS: mm 		TOLERANCES UNLESS OTHERWISE SPECIFIED: 0 PLC ± 1 PLC ± 2 PLC ± 3 PLC ± 4 PLC ± ANGLES ± FINISH ±		DWN: C. RITIER 01FEB2006 CHK: 01FEB2006 APVD:	Tyco Electronics Harrisburg, PA 17105-3608
MATERIAL: - FINISH: -		PRODUCT SPEC: 108-2248 APPLICATION SPEC: 114-13195 WEIGHT: -		NAME: 48 POSITION PLUG HOUSING AMP-DUAC UPC SIZE: CAGE CODE DRAWING NO: A100779C=1934142 RESTRICTED TO: -	
CUSTOMER DRAWING				SCALE: 1:1	SHEET 1 OF 2 REV B

LOC	DIST	REV	DATE	BY	APPD
AD	00				

REVISIONS					
REV	DATE	DESCRIPTION	BY	APPD	REV
-	-	SEE SHEET 1	-	-	-



THIS PRODUCT HAS NOT COMPLETED
 VALIDATION TESTING

DIMENSIONS:		TOLERANCES UNLESS OTHERWISE SPECIFIED:		DWN		Tyco Electronics	
mm	0 PLC	±		C. RITTER	01FEB2006	Tyco Electronics Harrisburg, PA 17105-3608	
	1 PLC	±		CHK	01FEB2006	AMP-DUAC UP	
	2 PLC	±		APVD		108-2248	
	3 PLC	±				114-13195	
	4 PLC	±				A 100779 C=1934142	
	5 PLC	±				SCALE 4:1 SHEET 2 OF 2 REV B	
	6 PLC	±				CUSTOMER DRAWING	