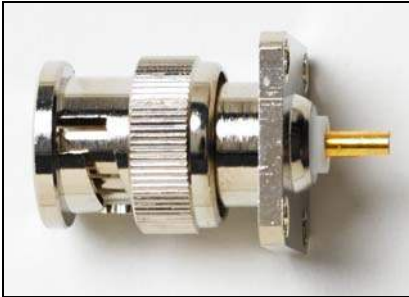
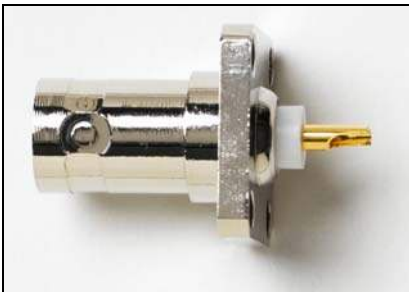


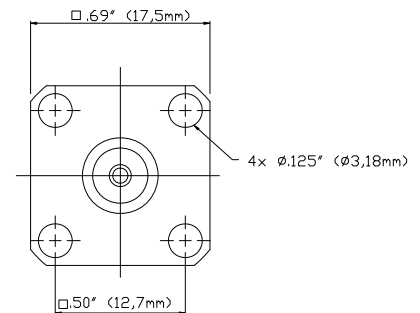
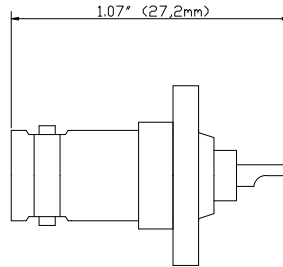
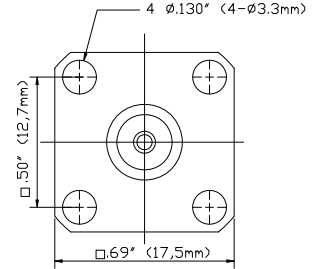
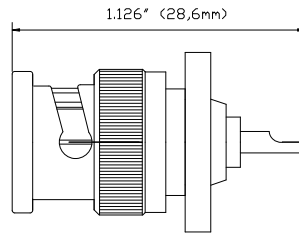
**Models 6735, 6736**  
**BNC (M), BNC (F) Panel Mount 75 Ω (0.5" spacing)**



**Model 6735**  
**BNC (M) Panel Mount, 75 Ω**



**Model 6736**  
**BNC (F) Panel Mount Receptacle, 75 Ω**



Use for your 75 Ω panel mount broadcast applications.

**Features**

- U-shaped solder cup for easy solder installation
- Precision machined with gold plated contacts
- PTFE (not delrin)

**Materials**

- Body is machined brass with tarnish resistant nickel plating (not die cast).
- Male center pin contacts are gold plated (20 micro inches) brass. Female center contacts: Gold plated heat treated beryllium copper.
- High quality machined PTFE dielectric.

**Ordering Information**

Model: 6735, BNC (M) PANEL MOUNT, 75 OHM  
Model: 6736, BNC (F) PANEL RECEPTACLE, 75 OHM

**Specifications**

Nominal Impedance	75 Ω
Voltage	500 Vrms
Frequency	0-3 GHz
VSWR	1.10 Max. 0-1 GHz 1.35 Max. 1-3 GHz
Center Contact Resistance	1.5 mΩ
Insulation Resistance	5000 MΩ
Number of Insertions	500
Operating Temperature	-85°F to +131°F (-65°C to +155°C) Max.

**USA:** Sales: 800-490-2361  
Technical Support: [technicalsupport@pomonatest.com](mailto:technicalsupport@pomonatest.com)  
Fax: 425-446-5844  
**Europe:** 31-(0) 40 2675 150 **International:** 425-446-5500  
**Where to Buy:** [www.pomonaelectronics.com](http://www.pomonaelectronics.com)

All dimensions are in inches. Tolerances (except noted): .xx = ±.02" (.51 mm), .xxx = ±.005" (.127 mm). All specifications are to the latest revisions. Specifications are subject to change without notice. Registered trademarks are the property of their respective companies.