

Style

M12 Socket
8 pin
A-coding

Ratings

Voltage: 30 V
Current: 2 A

Operating Temperature Range

-40 ~ 85 °C

Materials

- ① Insulator: TPU, black
- ② Pin: C3604 brass, gold plated
- ③ Shell: C3604 brass, nickel plated
- ④ O-ring: Nitrile rubber, green

Electrical Requirements

Dielectric strength: 1 min @ 500 Vac
Insulation resistance: 100 MΩ @ 500 Vdc
Contact resistance: 10 mΩ or less

Mechanical Requirements

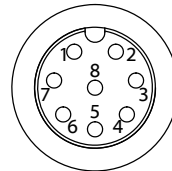
Life cycle: 500 mating cycles minimum

Environmental Requirements

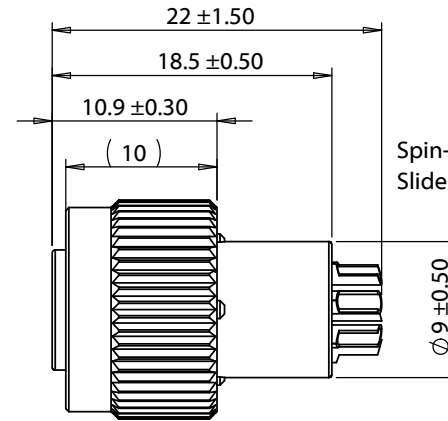
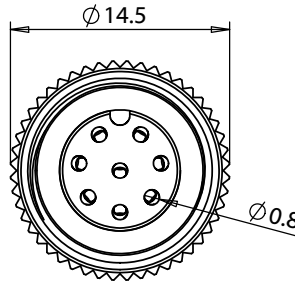
Salt spray test: 35 °C, relative humidity 90-95%, 5% NaCl mist for 48 hrs. Wash parts after test. Maintain mechanical requirements and a contact resistance of less than 10 mΩ.
Waterproof: IP67

Assembly Info

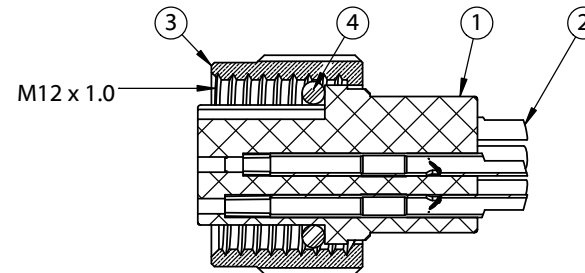
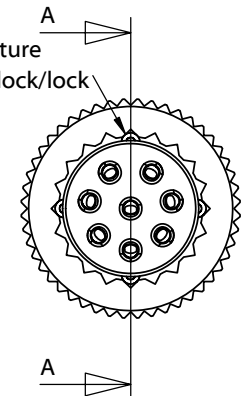
Wire gauge: 24 AWG max



Front View
Not to Scale



Spin-locking feature
Slide shell to unlock/lock



SECTION A-A

Revision:	Date:	Description:
A	8/4/2020	Initial release

Prepared:
AW
Digitally signed by AW
Date: 2020.10.12
12:53:47 -07'00'

Verified:
AG
Digitally signed by AG
Date: 2020.10.14
12:07:23 -07'00'

Dimensions are in millimeters.
Tolerances:
X: ± 0.3 mm
X.X: ± 0.1 mm
X.XX: ± 0.05 mm

Notes:
RoHS compliant

Function test: no open, no short circuit, no intermittent

Description:
Connector, 8 pin M12 A-code socket, 12xL22mm, gold plated, molding style, solder cup, IP67

TENSILITY

tel 1.541.323.3228 800 877.670.7118
fax 1.541.323.4202 web tensility.com

Size:	Part number:
A	50-00969
Scale: 2:1	Sheet 1 of 1