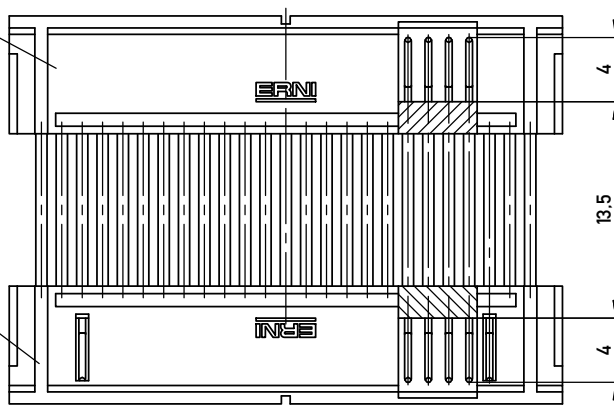
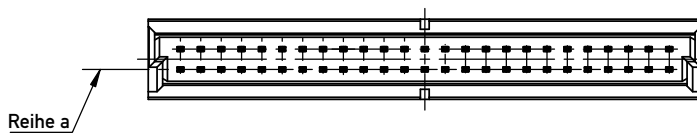
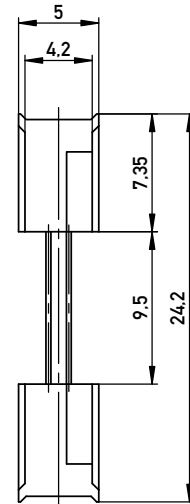
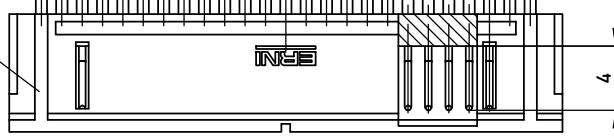


ohne Verriegelung
without interlocking

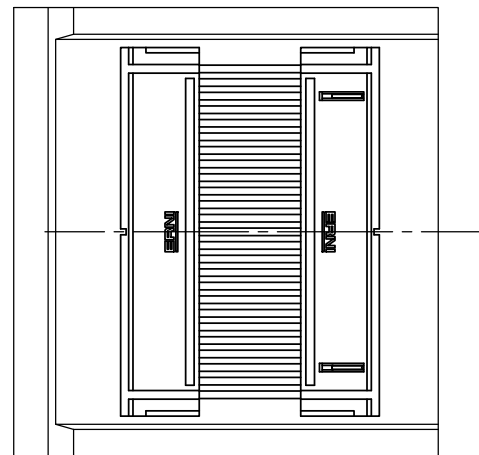
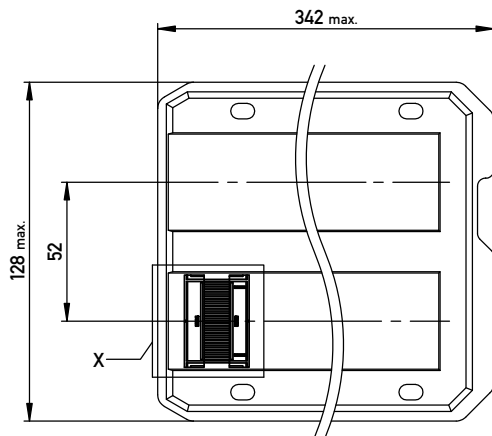


mit Verriegelung
with interlocking

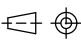



Verpackt in Tray -tray packaging
Verpackungseinheit 26 Stück -packaging unit 26

Einzelheit X (M 2:1)
detail X



Adapterstück für board-to-board Abstand von 26mm (beidseitig verbaut mit Federleiste: 154807, Low Profile)
Adapter for board-to-board height 26mm (in combination with two female connectors: 154807, low profile)

Information: All rights reserved. Only for Information. To ensure that this is the latest version of this drawing, please contact one of the ERNI companies before using.	Tolerances  All Dimensions in mm	Scale 3:1	
		Designation 1,27 DRC Adapterstück BTB 26mm <i>50-polig</i>	
a Index	28.07.2015 Date	 www.ERNI.com	354310 Class DRCBTB
			I A3

Copyright by ERNI GmbH
Proprietary notice pursuant to ISO 16016 to be observed.