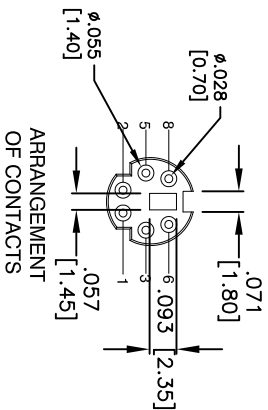
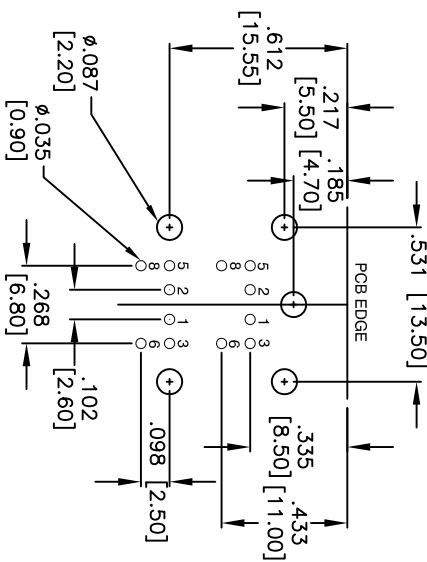
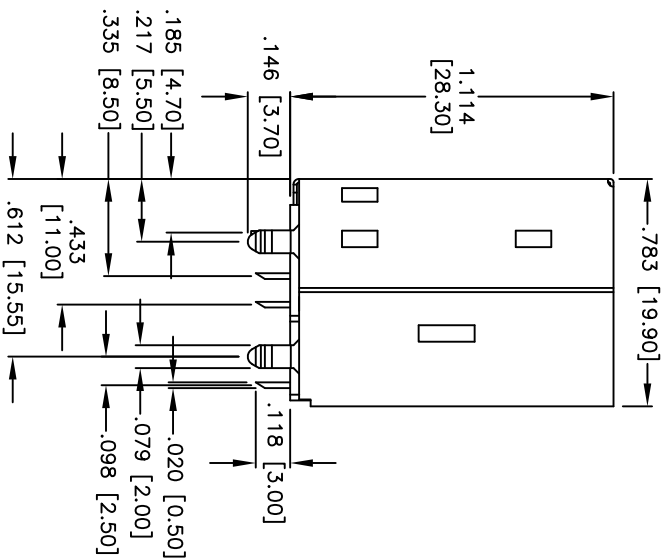
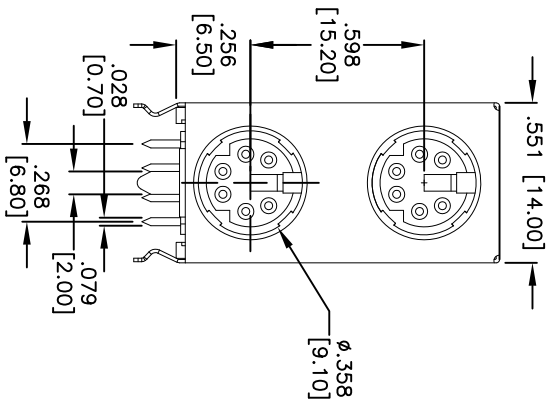


APPROVED: \_\_\_\_\_  
 DATE: \_\_\_\_\_ TITLE: \_\_\_\_\_

Rev	AWO #	Description	Date	Appr
-		RELEASED	9/14/04	
A		REDRAWN	6/30/15	AY/MW



**SPECIFICATIONS:**

**Material:**  
 Insulator: PBT, glass filled, rated UL 94V-0  
 Insulator color: Black  
 Contacts: Phosphor Bronze  
 Shield: Copper Alloy, Tin plated  
**Plating:**  
 Gold over Nickel underplate on contact area,  
 Tin over Copper underplate on tails  
**Electrical:**  
 Operating voltage: 100 VAC/12 VDC max.  
 Current rating: 1 Amp max./2 Amps max.  
 Contact resistance: 30 mohms max. initial  
 Insulation resistance: 100 Mohms min @500 VDC.  
 Dielectric withstanding voltage: 250 VAC for 1 minute  
 Environmental:  
 Lead free, RoHS compliant.



UNLESS OTHERWISE SPECIFIED  
 ALL DIMENSIONS ARE IN INCHES [MM]  
 TOLERANCES: EXCEPT AS NOTED  
 INCHES  
 .X ± .10  
 .XX ± .020  
 .XXX ± .015  
 .XXX ± .010

**ADAM TECH**  
 909 Rahway Avenue, Union, NJ 07083  
 Phone: 908-687-5000 Fax: 908-687-5710

DRAWN	SS	9/14/04	SIZE	PART NO.	REV.
CHECKED			X	MDJD-006-FS-RT	A
APPROVED			REF:	S00095T	SHEET 1 OF 1