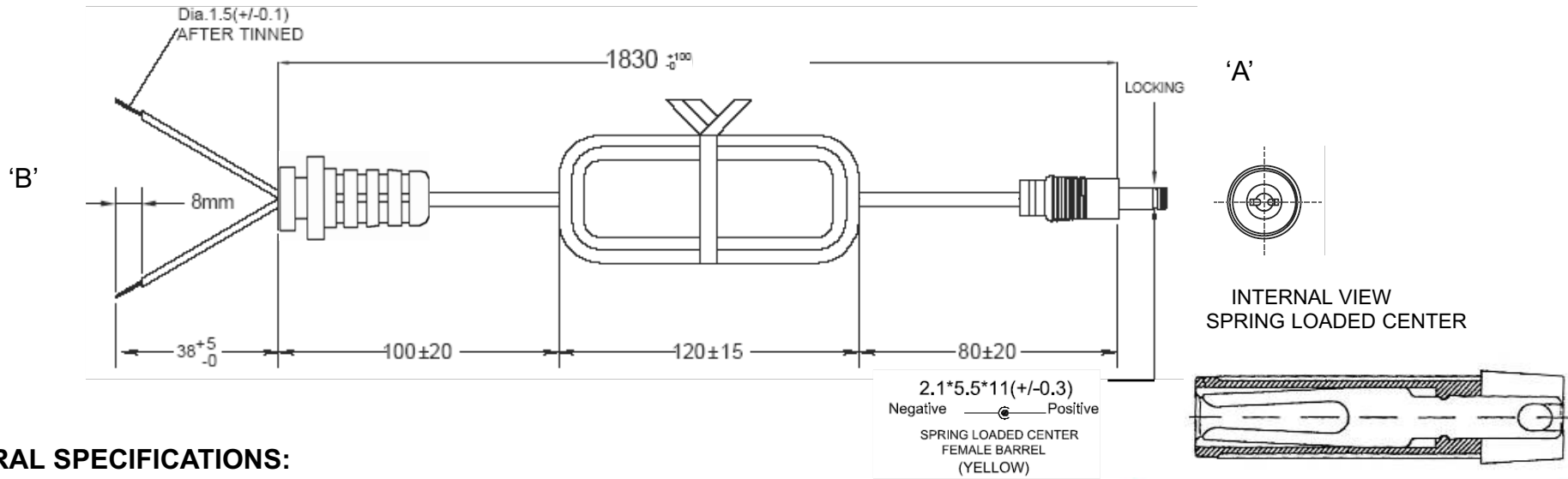


PROPRIETARY INFORMATION:
 PROPRIETARY OF GLOBTEK, INC. ANY REPRODUCTION, DISCLOSURE OR USE OF THIS DRAWING, IN WHOLE OR IN PART, IS HEREBY PROHIBITED EXCEPT AS SPECIFIED IN WRITING BY GLOBTEK, INC.

REVISION			
REV	DESCRIPTION	DATE	APPROVED
A	INITIAL RELEASE, RFS. 17955, CH	01/20/10	HM
B	UPDATE SR TO GTM21097 TYPE, RFS. 18625, BS	05/03/10	HM
C	REMOVE APPROVALS SYMBOLS FROM CABLE AND END 'A' and 'B', RFS.18625	12/09/19	MK



GENERAL SPECIFICATIONS:

VOLTAGE: 300 V
 TEMPERATURE: 80°C
 CABLE TYPE / SIZE: SILICONE INSULATION SILICONE JACKET CABLE, 24/0.20 STRANDING, 18 AWG(0.75 mm²) x 2C
 CABLE JACKET COLOR: BLACK
 CONDUCTORS COLOR: BLUE, BROWN
 OVERALL LENGTH (L): 1830 + 100,-0 mm
 END 'A' TERMINATION: STRAIGHT FEMALE BARREL 5.5 x 2.1 x 11 mm (SPRING LOADED WITH LOCKING NOTCH)
 END 'B' TERMINATION: STRIP & TIN
 STRAIN RELIEF: SR FOR GTM21097 TYPE
 APPROVALS CABLE: DESIGN TO MEET UL, CSA or cUL
 APPROVALS CONNECTOR: N/A

RELEASED
 By pudxc at 1:34 pm, Dec 10, 2019

Customer Approval of Specification:
 Please approve, sign and send back to GlobTek so we can complete order processing. A delay in receipt of this form will delay delivery schedule.

Company Name:
 Customer P/N:
 Quote Number:
 Date:
 Auth. Rep. Name:
 Auth. Rep. Signature:

PACKING:

BULK PACKED, BUNDLES OF 25.
 MAXIMUM SHIPPING CARTON WEIGHT IS 30 KG.

DASH NO.	PART NO	REV.	DESCRIPTION	NOTES
TABULATION BLOCK				
		TOLERANCES: DECIMALS ANGULAR .xx +/- 0.01 +/- 1° .xxx +/- .005		GlobTek, Inc. www.globtek.com 186 Veterans Dr. Northvale, NJ 07647 Tel. 201-784-1000 Fax 201.784.0111
		MILLIMETERS ANGULAR .x +/- 1.0 +/- 1° .xx +/- .5		
INIT.BY: CH	DATE: 01/20/10	DWG TITLE: SILICONE JACKET OUTPUT CABLE ASSEMBLY WITH STRAIN RELIEF		REV. C SHEET 1/1
DRAWN: NF	DATE: 01/20/10	FSCN No.: G, CC	SIZE: A	
APRVD: HM	DATE: 01/20/10	SCALE: NONE	PART NO: CCP6186FSILI-SR(R)	

Foot Note:
 Globtek Inc. will not be liable for the safety and performance of these power product if unauthorized access and repair occurs. End user should consult the applicable UL, CSA or EN Standards for proper installation instruction.

Limitation of Use:
 Globtek product are not authorized for use as mission critical components in life support, hazardous environment, nuclear or aircraft applications without prior written approval from the CEO of Globtek Inc.

Contents of this document are subject to change without prior notice