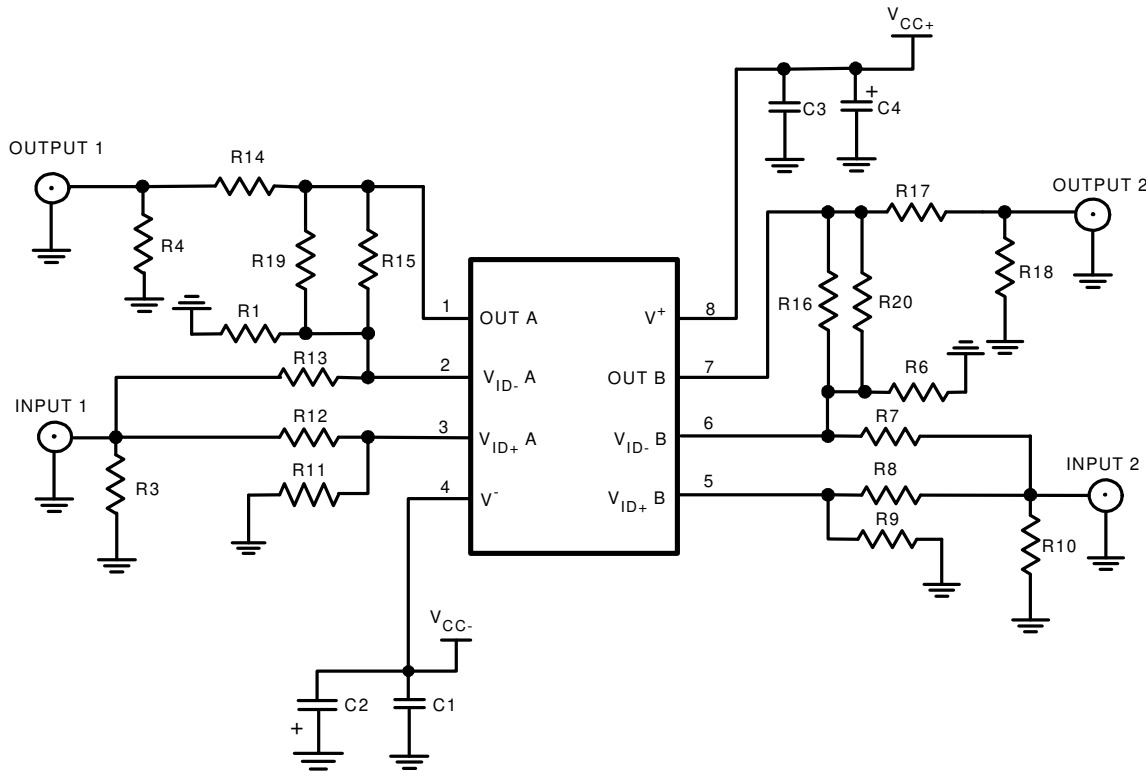


The CLC730123 evaluation board is designed to aid in the characterization of National's 8-pin Dual Op Amps in MSOP package. This board uses all surface-mount components for maximum speed and performance.

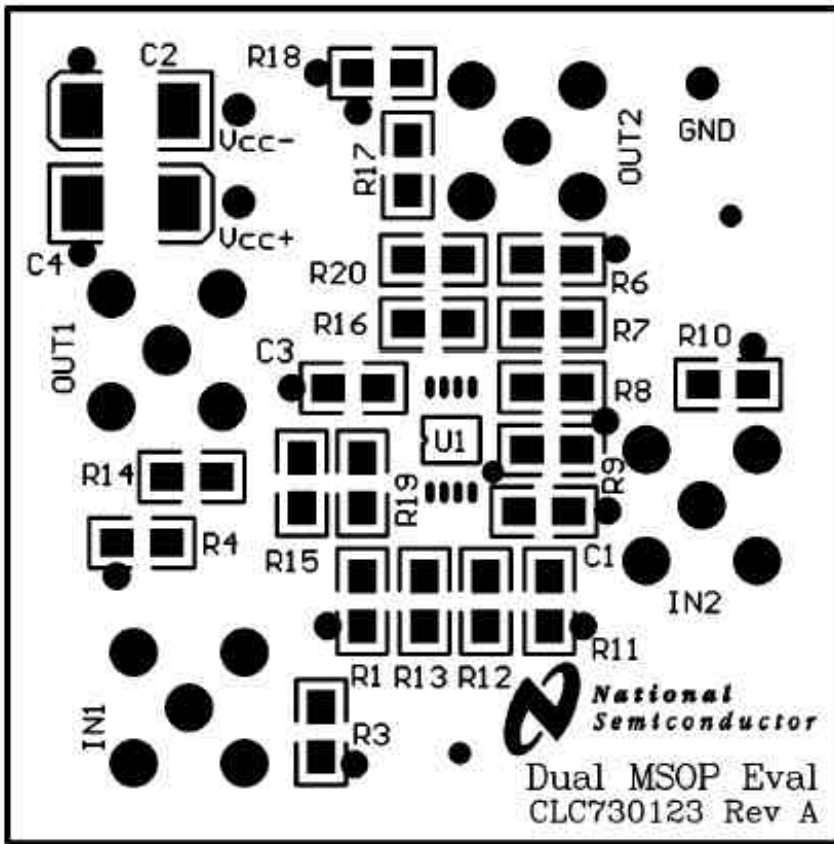
Figure 1 shows the schematic:



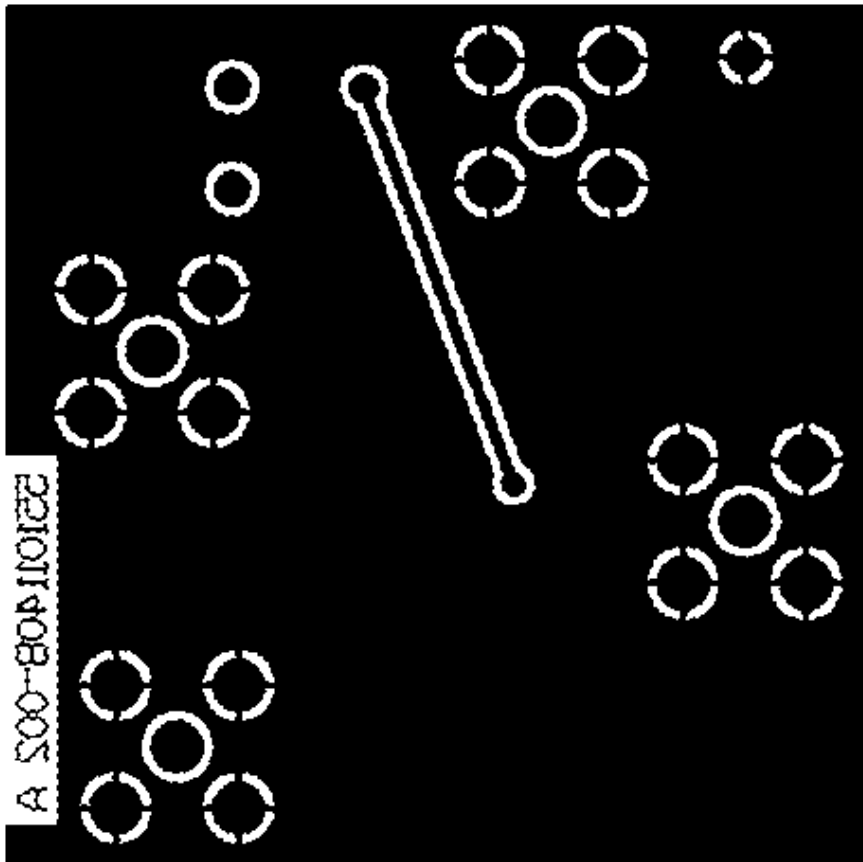
**Figure 1: Complete Evaluation Board Schematic**

This board is designed with versatility in mind; that is, by selective insertion of components, the device can be put into an inverting, or non-inverting configuration.

De-coupling caps are essential to be installed for good high frequency behavior, 0.1 $\mu$ F and 6.8 $\mu$ F are good values in most cases. Note that C2, and C4 are polar caps. Use Tantalum capacitors for lowest ESR.



Top Side



Bottom Side

## LIFE SUPPORT POLICY

NATIONAL'S PRODUCTS ARE NOT AUTHORIZED FOR USE AS CRITICAL COMPONENTS IN LIFE SUPPORT DEVICES OR SYSTEMS WITHOUT THE EXPRESS WRITTEN APPROVAL OF THE PRESIDENT AND GENERAL COUNSEL OF NATIONAL SEMICONDUCTOR CORPORATION. As used herein:

1. Life support devices or systems are devices or systems which, (a) are intended for surgical implant into the body, or (b) support or sustain life, and whose failure to perform when properly used in accordance with instructions for use provided in the labeling, can be reasonably expected to result in a significant injury to the user.
2. A critical component is any component of a life support device or system whose failure to perform can be reasonably expected to cause the failure of the life support device or system, or to affect its safety or effectiveness.

---

**National Semiconductor Corporation Americas**

Tel: 1-800-272-9959  
Fax: 1-800-737-7018  
Email: support@nsc.com

**National Semiconductor Europe**

Fax: +49 (0) 180-530-85 86  
Email: europe.support@nsc.com  
Deutsch Tel: +49 (0) 69 9508 6208  
English Tel: +44 (0) 870 24 0 2171  
Francais Tel: +33 (0) 1 41 91 8790

**National Semiconductor Asia Pacific Customer Response Group**

Tel: 65-2544466  
Fax: 65-2504466  
Email: ap.support@nsc.com

**National Semiconductor Japan Ltd.**

Tel: 81-3-5639-7660  
Fax: 81-3-5639-7507

National does not assume responsibility for use of any circuitry described, no circuit patent licenses are implied and National reserves the right at any time without notice to change said circuitry and specifications.