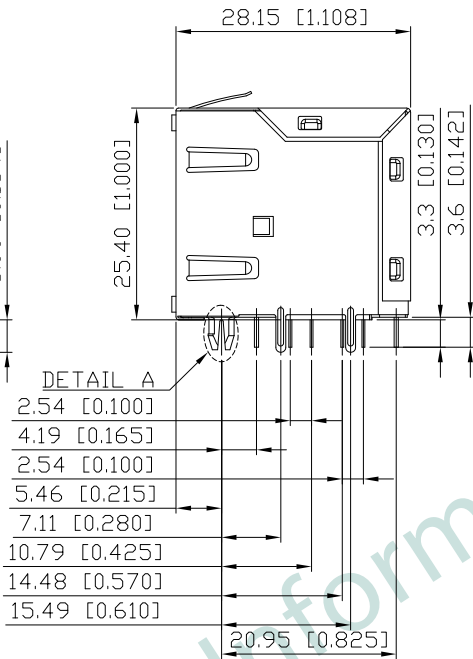
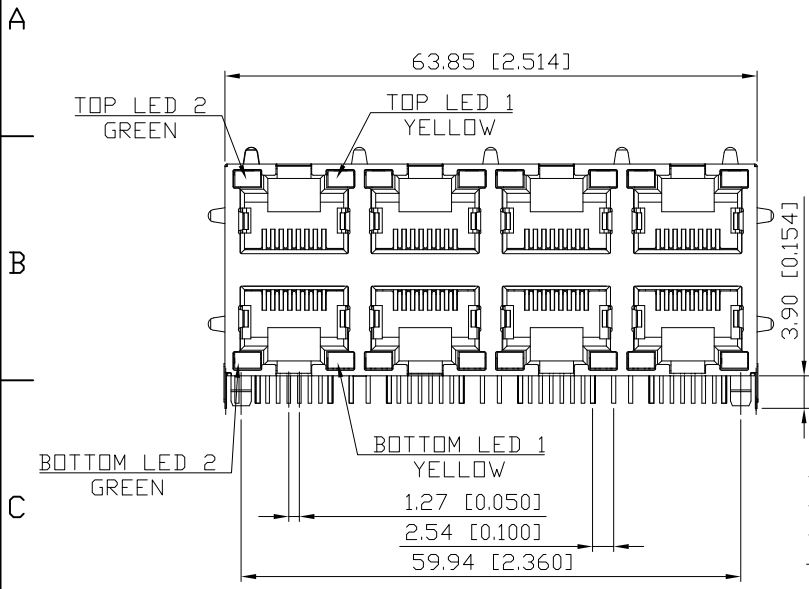
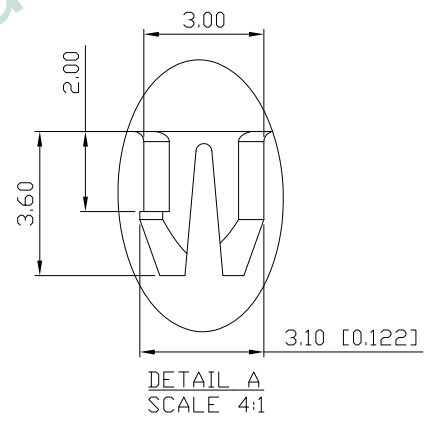
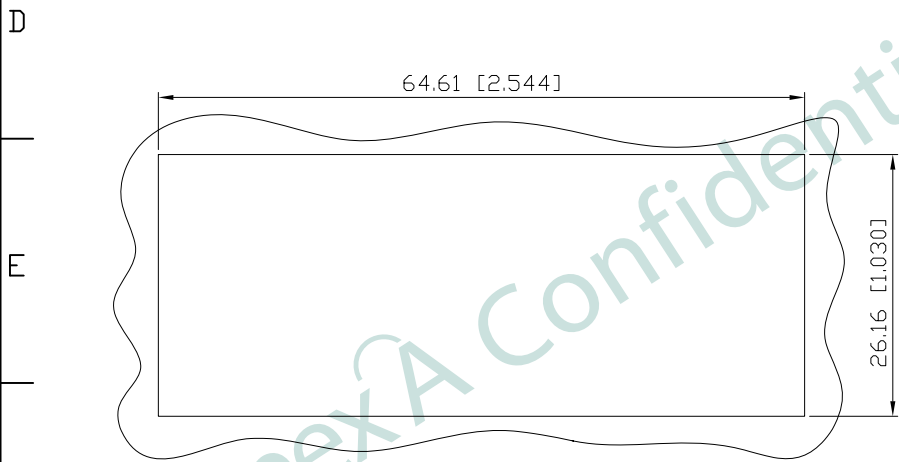


1. MECHANICAL DIMENSIONS :

REV.	DATE	DESCRIPTION
A	Jul. 13, '18	1st RELEASE



- NOTES:
- MATERIAL:
HOUSING: HIGH THERMOPLASTIC, UL94V-0, BLACK
CONTACTS: T=0.35*0.43mm PHOS-BRONZE, 6u" GOLD PLATING ON CONTACT AREA, NICKEL UNDERPLATING OVERALL
SHIELD: COPPER ALLOY, NICKEL PLATING
 - OPERATING TEMPERATURE: -40°C~+85°C
 - INSERTION FORCE: 4 POUNDS MAX.
EXTRACTION FORCE: 4 POUNDS MAX.
 - DURABILITY: 750 MATING CYCLED MIN.
 - CAVITY CONFORMS TO FCC RULES AND REGULATIONS PART 68, SUBPART F.
 - UNSPECIFIED TOLERANCE: .XX ±0.25[0.010]
.X ±0.30[0.012]



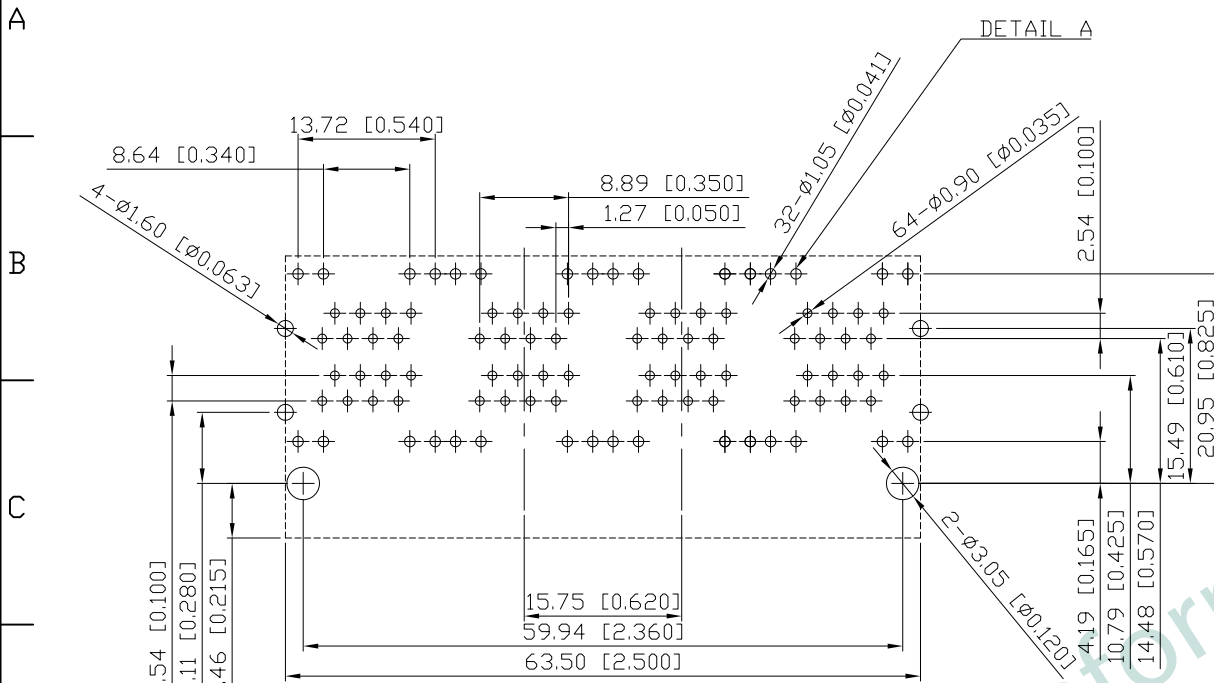
RECOMMENDED
PANEL CUTOUT DIMENSION

DETAIL A
SCALE 4:1

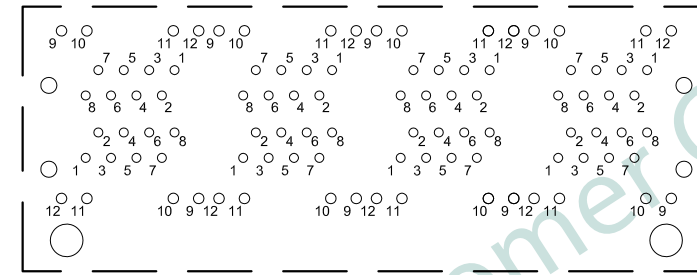
PART NO		KRD-S-24-8-8-4-GAD		
TITLE	RJ45 2X4 8P8C, W/LED, SHIELDED, STACKED TYPE			
REV : A				
UNIT	DRAWN	CHKD	DATE	SHEET
mm[inch]	CINDY	VINCENT	Jul. 13, '18	1 of 4

ROHS Compliant

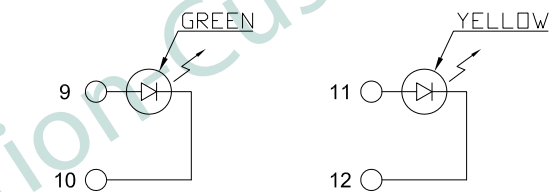
2. PCB LAYOUT :



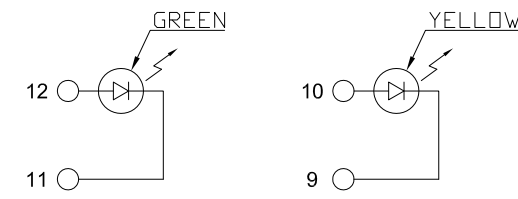
SUGGESTED PCB LAYOUT
(TOP VIEW)
DIMENSIONAL TOLERANCE: .XX ±0.08[0.003]



DETAIL A

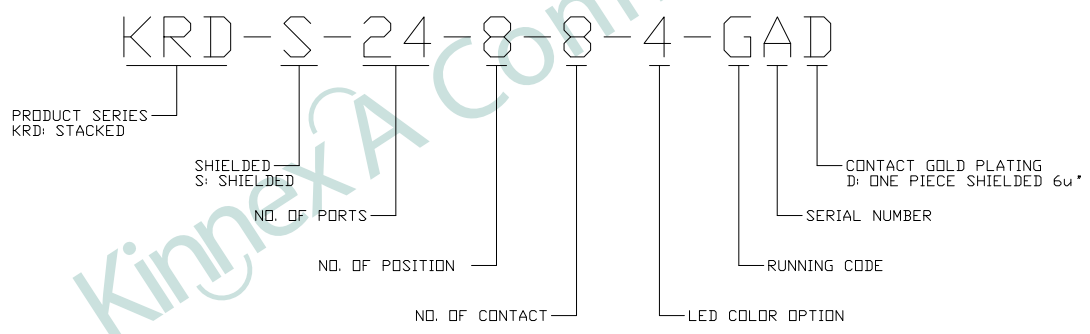


TOP LED



BOTTOM LED

COLOR	VF(V) @20mA		IV(mcd) @20mA	IF(mA)	PEAK WAVE LENGTH λP(nm) @20mA
	TYP	MAX	TYP	TYP	TYP
GREEN	2.2	2.6	10	20	570
YELLOW	2.2	2.6	15	20	588

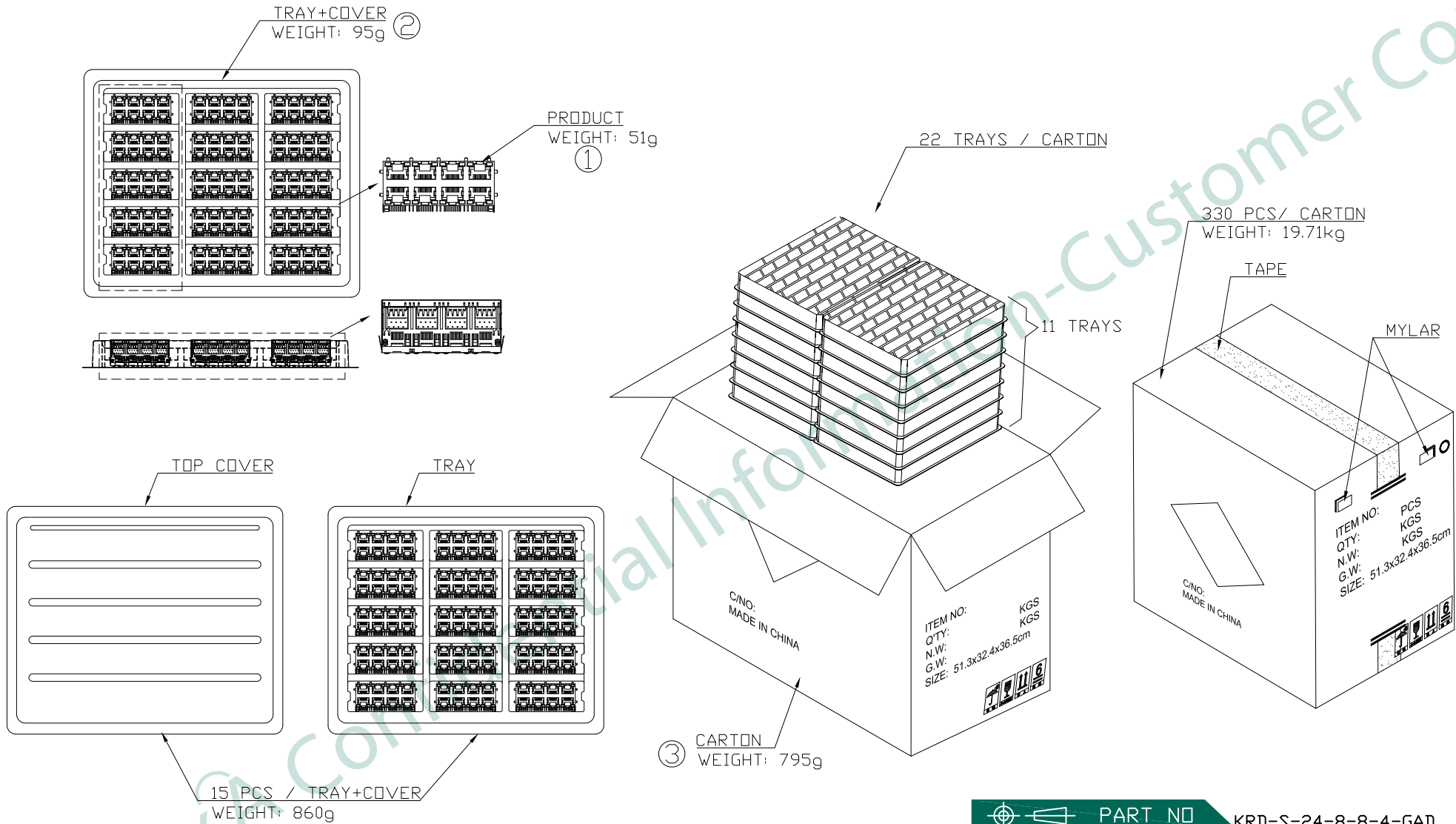


PART NO: KRD-S-24-8-8-4-GAD				
TITLE	RJ45 2X4 8P8C, W/LED, SHIELDED, STACKED TYPE			
REV : A				
UNIT	DRAWN	CHKD	DATE	SHEET
mm[inch]	CINDY	VINCENT	Jul. 13, '18	2 of 4

3. PROFILE OF WAVE SOLDER :

RoHS Compliant

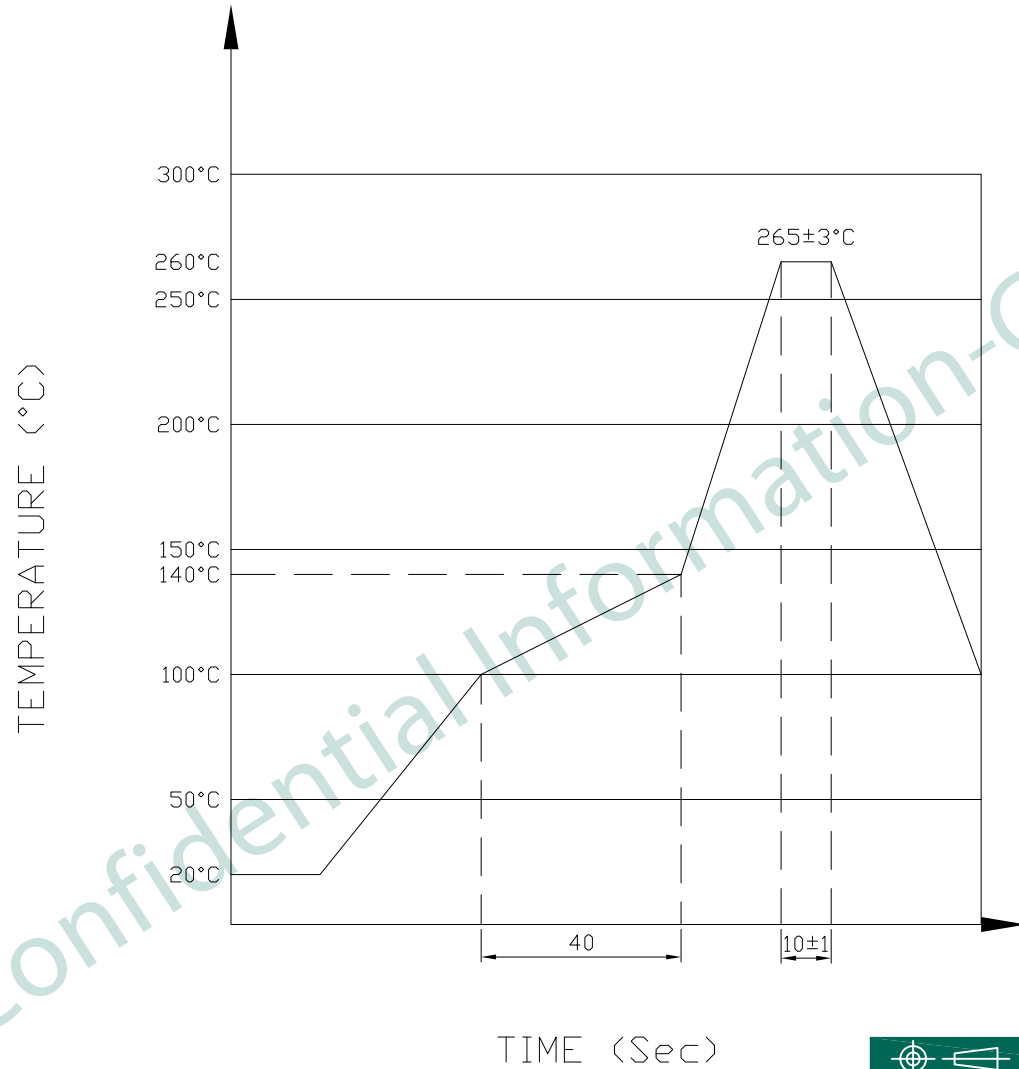
A
B
C
D
E
F



NO.	DEFINITION	PIECE WEIGHT
1	PRODUCT	51g
2	TRAY&COVER	95g
3	CARTON	795g

PART NO		KRD-S-24-8-8-4-GAD		
TITLE	RJ45 2X4 8P8C, W/LED, SHIELDED, STACKED TYPE			
REV : A				
UNIT	DRAWN	CHKD	DATE	SHEET
mm[inch]	CINDY	VINCENT	Jul. 13, '18	3 of 4

4. PROFILE OF WAVE SOLDER :



The measuring point for the specified temperature shall be on the soldered part of the lead

PART NO KRD-S-24-8-8-4-GAD				
TITLE	RJ45 2X4 8P8C, W/LED, SHIELDED, STACKED TYPE			
REV : A				
UNIT	DRAWN	CHKD	DATE	SHEET
mm[inch]	CINDY	VINCENT	Jul. 13, '18	4 of 4