

TITLE:

SEALING PLUG, SIZE 12

DWG NO:

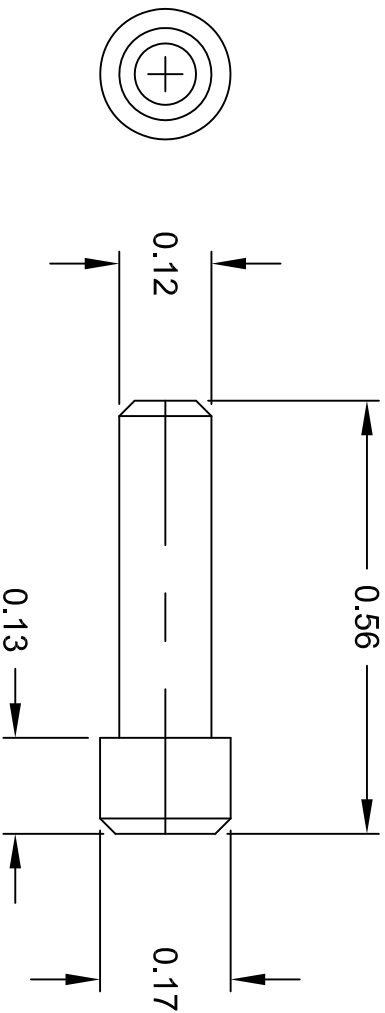
CA4012-59

REV: A1

SH: 1

OF: 1

REVISIONS					
REV	ECO	DESCRIPTION	DATE	BY	APPR
A1	-	RELEASE NEW DWG FORMAT	-	-	-



NOTES: UNLESS OTHERWISE SPECIFIED

1. MATERIAL: THERMOPLASTIC; ROHS COMPLIANT
2. COLOR: YELLOW
3. CONTACT SIZE: 12
4. DIMENSIONS ARE IN INCHES
5. ALL DIMENSIONS ARE FOR REFERENCE USE ONLY.

QUANTITY	PART NUMBER	DESCRIPTION	ITEM
MATERIALS LIST			
UNLESS OTHERWISE SPECIFIED			
1) All dimensions are in metric(mm), 2) Tolerances are as follows: 1 PL DEC #0.30 Fractions ±1/64 2 PL DEC #0.15 Angles ±1° 3 PL DEC #0.08			
3) Note reference = X			
MATERIAL SPECIFICATIONS:		CUSTOMER:	
PROCESS SPECIFICATIONS:		THIS DRAWING IS SUPPLIED FOR INFORMATION ONLY. DESIGN FEATURES, SPECIFICATIONS AND PERFORMANCE DATA SHOWN HEREON ARE THE PROPERTY OF THE AMPHENOL CORPORATION. NO RIGHTS OF REPRODUCTION ARE IMPLIED. ALL DIMENSIONS ARE SUBJECT TO NORMAL MANUFACTURING VARIATIONS.	
NEXT ASSY:		SCALE: NONE	
SIGNATURES		DATE	
DRAWN: MRF		24SEP15	
CHECKED:			
ENGINEER:			
APPROVAL:			
MATERIALS LIST		Sine Systems - www.amphenol-sine.com 44724 Morley Drive Clinton Township, MI 48036	
SEALING PLUG, SIZE 12		DWG NO: CA-4012-59	
SCALE: NONE		SHEET 1 OF 1	
REVISION		REVISION	
A1		A1	