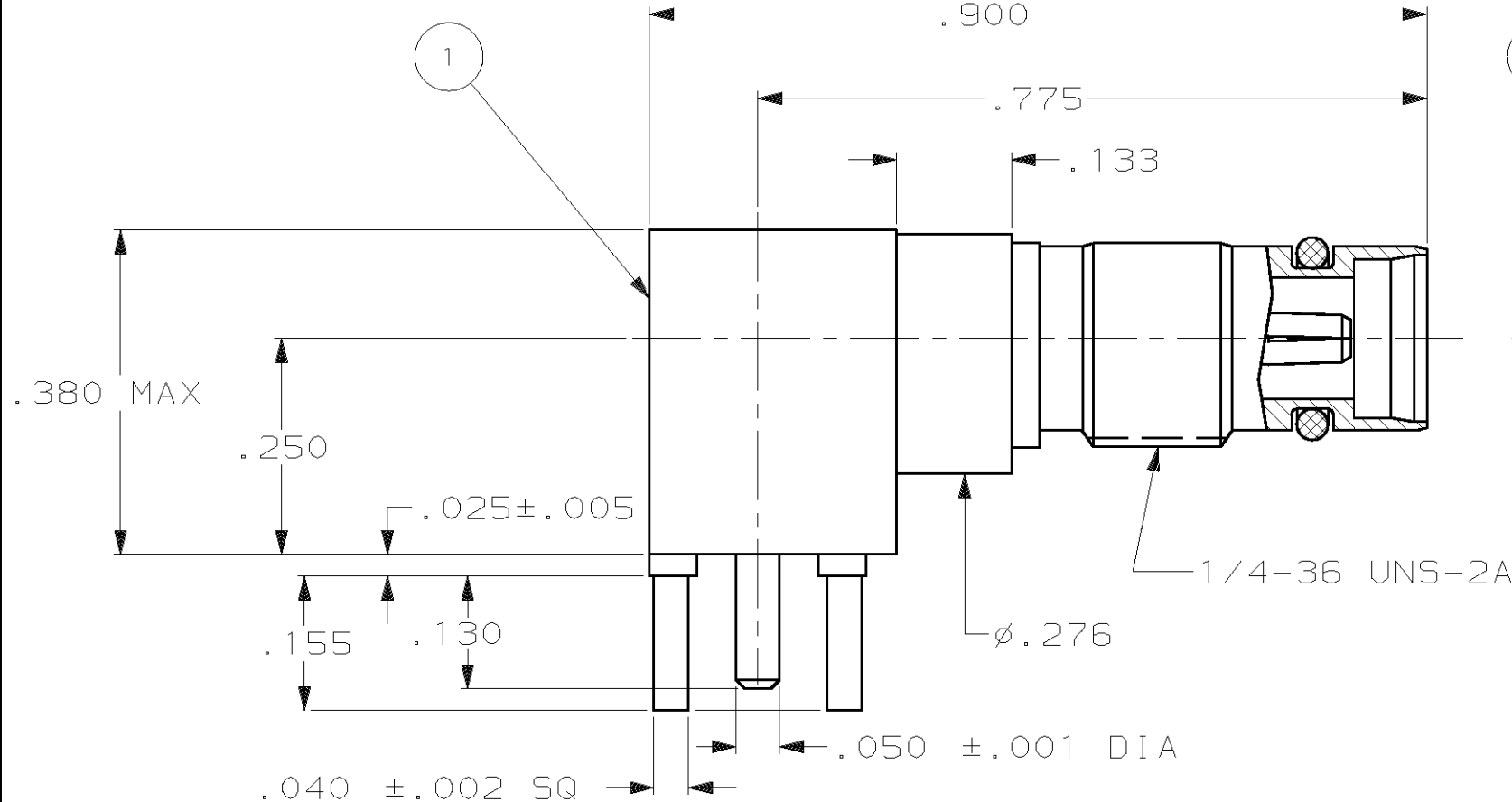
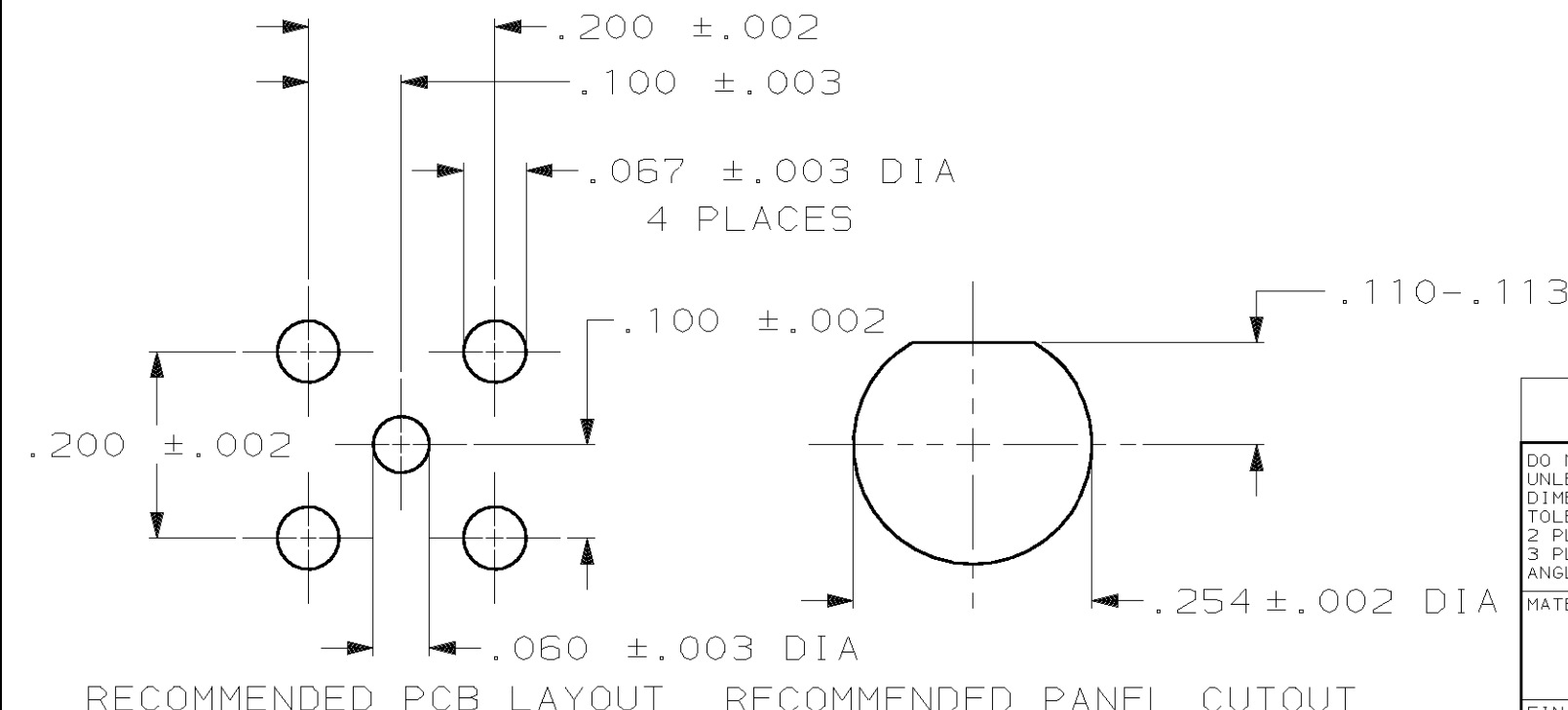


THIS DRAWING IS UNPUBLISHED. RELEASED FOR PUBLICATION, 19 .  
© COPYRIGHT 19 BY AMP INCORPORATED. ALL INTERNATIONAL RIGHTS RESERVED.

LOC	DIST	REVISIONS						
AJ	16	P	F	ZONE	LTR	DESCRIPTION	DATE	APPD
					B	REV PER 0U20-0078-99	22SEP99	M0



1. PANEL THICKNESS: .080-.125



1	2-332004-0	JAMNUT	3
1	1-22145-3	LOCKWASHER	2
1	448722-1	JACK ASSEMBLY	1
QTY	PART NO	DESCRIPTION	ITEM NO

DO NOT SCALE PRINT. UNLESS SPECIFIED DIMENSIONS IN INCHES TOLERANCES ON: 2 PLC DEC ± - 3 PLC DEC ± .010 ANGLES ± -	DR	11-3-92	<b>AMP</b> AMP Incorporated Harrisburg, PA 17105-3608
	CHK	11-5-92	
	APPD	11-5-92	
	APPD	11-5-92	
MATERIAL	-	NAME	JACK, PCB, RIGHT ANGLE, BULKHEAD MOUNTED, 3.5MM BLIND MATE
FINISH	-	PRODUCT SPEC	-
APPLY SPEC	-	SIZE	B
WEIGHT	-	SCALE	5:1
		CAGE CODE	00779
		DRAWING NO	448089-1
		SHEET	1 OF 1