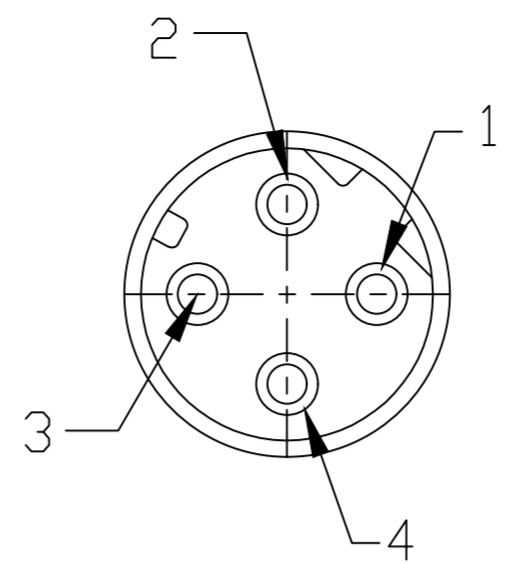


MOLEX PN	ENGINEERING PN	L(mm) + TOL
1300488040	130048-8040	4318 +165
1300488058	130048-8058	1943 +89
1300488061	130048-8061	2770 +89
1300488063	130048-8063	5288 +165
1300488066	130048-8066	9131 +182
1300488067	130048-8067	10396 +207
1300488068	130048-8068	19595 +391
1300488217	130048-8217	2100 +89

(C)



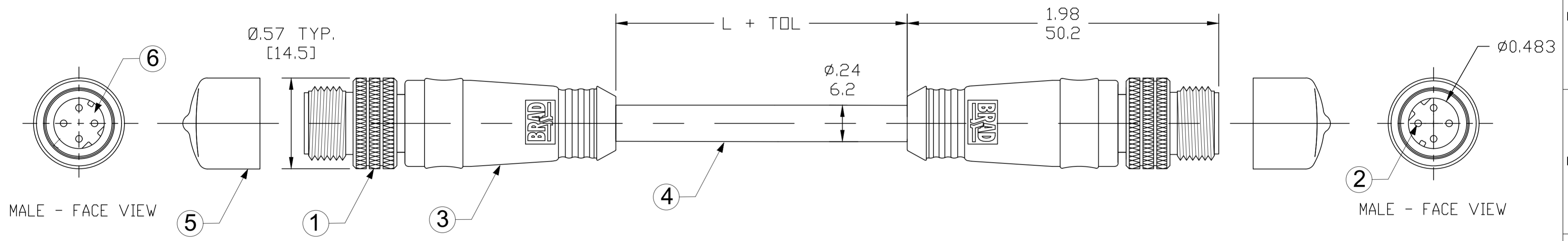
MALE - FACE VIEW
TYPICAL BOTH ENDS

PIN	WIRE COLOR	PIN
1	BLUE	1
2	BLACK	2
3	WHITE	3
4	RED	4
	SHIELD	

COUPLING NUT

COUPLING NUT

WIRE DIAGRAM



- NOTES:
1. MATERIAL: SEE TABLE
 2. FINISHES: SEE TABLE
 3. ELECTRICAL DATA:
VOLTAGE: 30V
CURRENT: 1.5A
 4. TEMP RATING: -20°C TO 105°C
 5. IP67 WHEN FULLY MATED
 6. COUPLING THREADS: M12X1
 7. ALL DIMS ARE FOR REFERENCE UNLESS TOLERANCED OR OTHERWISE NOTED.

ITEM	DESCRIPTION	MATERIAL	FINISH
6	INSERT	PUR	BLACK
5	DUST COVER	VINYL	BLACK
4	CABLE 28 AWG , 2PR, SHIELDED	BLACK	PVC
3	OVERMOLD	TPU	BLACK
2	CONTACTS	COPPER ALLOY	GOLD PLATED
1	M12 MALE COUPLING NUT	BRASS	NICKEL PLATED

FUNCTIONAL SYMBOLS										THIS DRAWING CONTAINS INFORMATION THAT IS PROPRIETARY TO MOLEX ELECTRONIC TECHNOLOGIES, LLC AND SHOULD NOT BE USED WITHOUT WRITTEN PERMISSION									
DIMENSION UNITS					SCALE					CURRENT REV DESC: ADD NEW LENGTH									
INCH/MM					NTS					<p>molex</p> <p>MICRO-CHANGE SHIELDED CORDSET</p> <p>D-CODE, M12, MALE/MALE</p> <p>PRODUCT CUSTOMER DRAWING</p> <p>DOCUMENT NUMBER: 1300488040 DOC TYPE/DOC PART: PSD 000 REVISION: D</p>									
GENERAL TOLERANCES (UNLESS SPECIFIED)																			
4 PLACES ±----					±----														
3 PLACES ±----					±----														
DIVISIONAL SYMBOLS										<p>EC NO: 701772</p> <p>DRWN: MZIELINSKI 2022/03/31</p> <p>CHK'D: MZIELINSKI 2022/03/31</p> <p>APPR: BWOODMAN 2022/04/05</p> <p>INITIAL REVISION:</p> <p>DRWN: CCHRASTKA 2020/10/13</p> <p>APPR: BWOODMAN 2020/10/21</p>									
2 PLACES ±----					±----					THIRD ANGLE PROJECTION					DRAWING				
1 PLACE ±----					±----					C-SIZE					SERIES				
0 PLACES ±----					±----					MATERIAL NUMBER					CUSTOMER				
ANGULAR TOL ± ---- °					DRAFT WHERE APPLICABLE MUST REMAIN WITHIN DIMENSIONS					SEE TABLE					GENERAL MARKET				
SHEET NUMBER					1 OF 1														