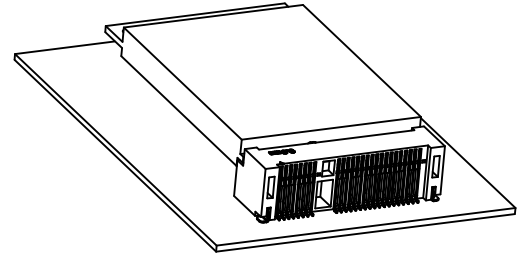
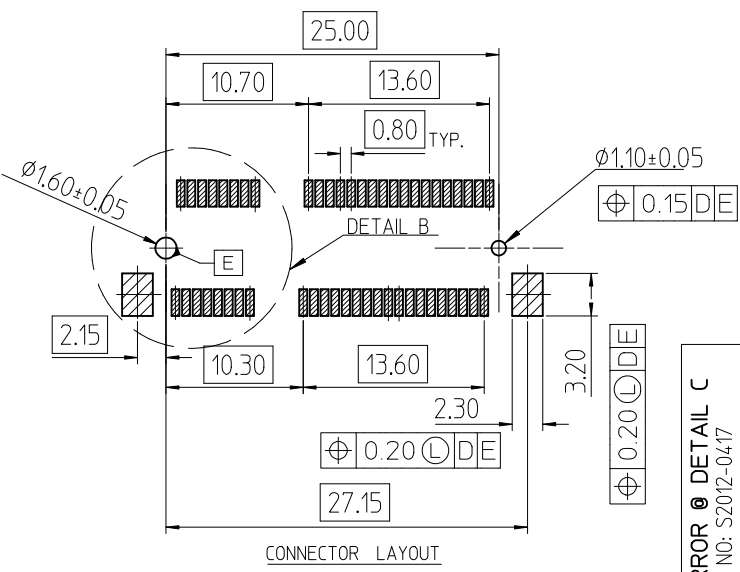
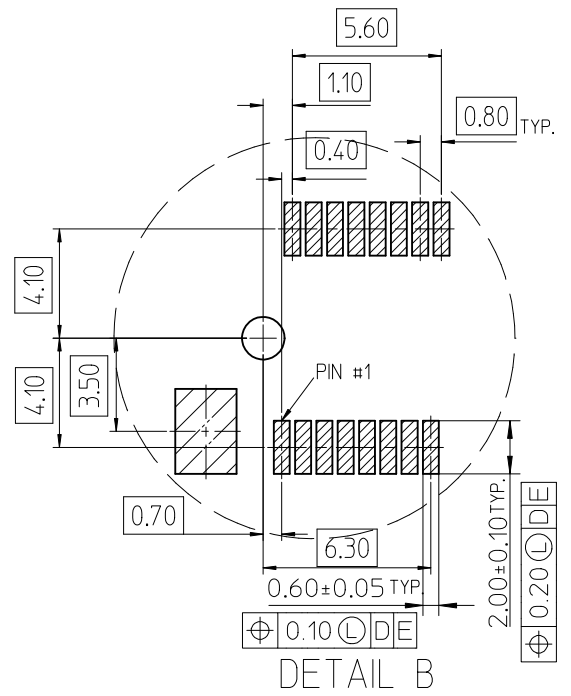
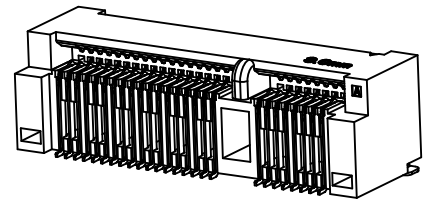
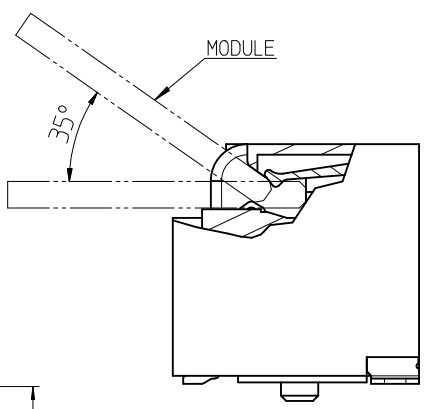
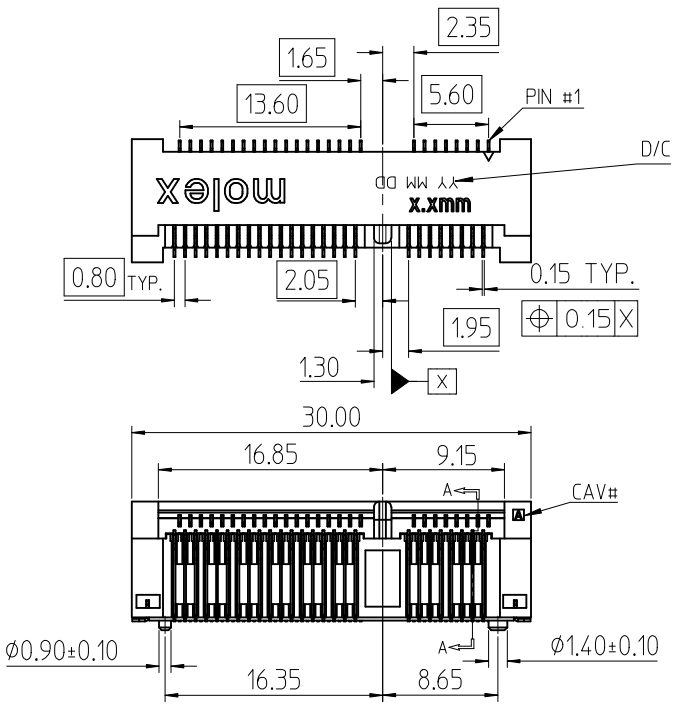


- NOTES:
 1. MATERIAL:
 1.1 HOUSING: THERMOPLASTIC, HIGH TEMP. HALOGEN FREE, UL94V-0; COLOR: BLACK.
 1.2 CONTACT: COPPER ALLOY.
 1.3 FITTING NAIL: COPPER ALLOY.
 2. FINISH:
 2.1 CONTACT:
 GOLD FLASH ON CONTACT AREA AND SOLDER TAIL.
 NICKEL UNDERPLATING OVERALL.
 2.2 FITTING NAIL:
 100µ" MIN. TIN PLATING ON SOLDER TAILS.
 NICKEL UNDERPLATING OVERALL.
 3. PRODUCT SPECIFICATION REFER TO PS-48338-002.
 4. PACKAGING DRAWING REFER TO PK-48338-002.
 5. TEST SUMMARY REFER TO TS-48338-0099.
 6. LEAD FREE AND ROHS COMPLIANT PRODUCT.
 7. DATUM D IS THE TOP SURFACE OF PCB.

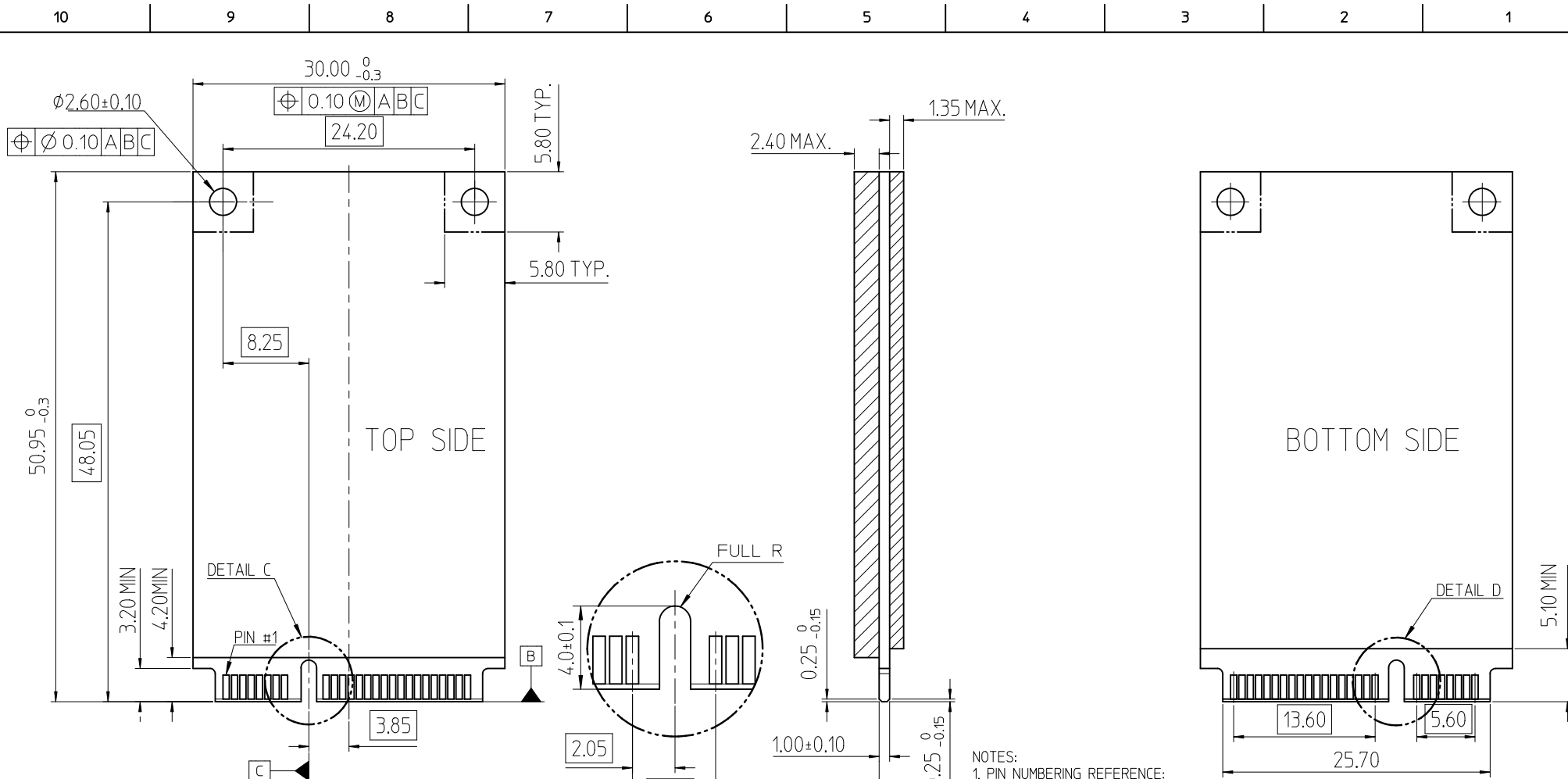
MOLEX P/N	DIM A	DIM B	DIM C	DIM D	DIM E	PACKING
48338-0052	5.20	6.20	3.20	1.45	2.70	PK-48338-002 PAGE 2
48338-1052						PK-48338-002 PAGE 3
48338-0056	5.60	6.60	3.60	1.85	3.10	PK-48338-002 PAGE 2
48338-1056						PK-48338-002 PAGE 3
48338-0057	5.75	6.75	3.75	2.00	3.25	PK-48338-002 PAGE 2
48338-1057						PK-48338-002 PAGE 3
48338-0065	6.50	7.50	4.50	2.75	4.00	PK-48338-002 PAGE 2
48338-1065						PK-48338-002 PAGE 3
48338-0068	6.80	7.80	4.80	3.05	4.30	PK-48338-002 PAGE 2
48338-1068						PK-48338-002 PAGE 3
48338-0070	7.00	8.00	5.00	3.25	4.50	PK-48338-002 PAGE 2
48338-1070						PK-48338-002 PAGE 3
48338-0075	7.50	8.50	5.50	3.75	5.00	PK-48338-002 PAGE 2
48338-1075						PK-48338-002 PAGE 3
48338-0080	8.00	9.00	6.00	4.25	5.50	PK-48338-002 PAGE 2
48338-1080						PK-48338-002 PAGE 3
48338-0085	8.50	9.50	6.50	4.75	6.00	PK-48338-002 PAGE 2
48338-1085						PK-48338-002 PAGE 3
48338-0088	8.80	9.80	6.80	5.05	6.30	PK-48338-002 PAGE 2
48338-1088						PK-48338-002 PAGE 3
48338-0090	9.00	10.00	7.00	5.25	6.50	PK-48338-002 PAGE 2
48338-1090						PK-48338-002 PAGE 3
48338-0099	9.90	10.90	7.90	6.15	7.40	PK-48338-002 PAGE 2
48338-1099						PK-48338-002 PAGE 3



ERROR @ DETAIL C EC NO: S2012-0417 DRWN: JESSIECHUA 2011/11/21 CHKD: CWANG25 2011/12/27 APPR: NAGESHKV 2011/12/27	QUALITY SYMBOLS F _A = 0 F _C = 0 F _P = 0	GENERAL TOLERANCES (UNLESS SPECIFIED)		DIMENSION STYLE MM ONLY		SCALE NTS	DESIGN UNITS METRIC	THIRD ANGLE PROJECTION			
		4 PLACES ± --- ± --- 3 PLACES ± --- ± --- 2 PLACES ± 0.25 ± --- 1 PLACE ± 0.25 ± ---	mm INCH ± --- ± --- ± 0.25 ± --- ± 0.25 ± ---	DRAWN BY E.K.	DATE 2008/10/07	TITLE MINI PCI EXP.0.8MM PITCH					
		ANGULAR ± 3 °		CHECKED BY DAVID ZHANG	DATE 2008/10/07	MOLEX INCORPORATED					
		DRAFT WHERE APPLICABLE MUST REMAIN WITHIN DIMENSIONS		APPROVED BY NAGESHKV	DATE 2010/01/04	MATERIAL NO. SEE TABLE		DOCUMENT NO. SD-48338-002	SHEET NO. 1 OF 3		



ERROR @ DETAIL C EC NO: S2012-0417 DRWN: JESSIECHUA 2011/11/21 CHKD: CWANG25 2011/12/27 APPR: NAGESHKN 2011/12/27	QUALITY SYMBOLS $\nabla_A = 0$ $\nabla_C = 0$ $\nabla_P = 0$	GENERAL TOLERANCES (UNLESS SPECIFIED) <table border="1"> <thead> <tr> <th></th> <th>mm</th> <th>INCH</th> </tr> </thead> <tbody> <tr> <td>4 PLACES</td> <td>± ---</td> <td>± ---</td> </tr> <tr> <td>3 PLACES</td> <td>± ---</td> <td>± ---</td> </tr> <tr> <td>2 PLACES</td> <td>± 0.25</td> <td>± ---</td> </tr> <tr> <td>1 PLACE</td> <td>± 0.25</td> <td>± ---</td> </tr> </tbody> </table>		mm	INCH	4 PLACES	± ---	± ---	3 PLACES	± ---	± ---	2 PLACES	± 0.25	± ---	1 PLACE	± 0.25	± ---	DIMENSION STYLE MM ONLY DRAWN BY: E.K. DATE: 2008/10/07 CHECKED BY: DAVID ZHANG DATE: 2008/10/07 APPROVED BY: NAGESHKN DATE: 2010/01/04 MATERIAL NO.	SCALE NTS TITLE MINI PCI EXP.0.8MM PITCH	DESIGN UNITS METRIC THIRD ANGLE PROJECTION
		mm	INCH																	
	4 PLACES	± ---	± ---																	
	3 PLACES	± ---	± ---																	
2 PLACES	± 0.25	± ---																		
1 PLACE	± 0.25	± ---																		
DRAFT WHERE APPLICABLE MUST REMAIN WITHIN DIMENSIONS	SEE TABLE	MOLEX INCORPORATED DOCUMENT NO. SD-48338-002	SHEET NO. 2 OF 3																	
THIS DRAWING CONTAINS INFORMATION THAT IS PROPRIETARY TO MOLEX INCORPORATED AND SHOULD NOT BE USED WITHOUT WRITTEN PERMISSION																				



NOTES:
 1. PIN NUMBERING REFERENCE:
 ODD PINS: TOP SIDE
 EVEN PINS: BOTTOM SIDE

DETAIL D

DETAIL C

REV	DESCRIPTION	QUALITY SYMBOLS
1	ERROR @ DETAIL C EC NO: S2012-0417 DRWN: JESSIECHUA 2011/11/21 CHKD: CWANG25 2011/12/27 APPR: NAGESHKN 2011/12/27	F_{A0} F_{C0} F_{P0}

GENERAL TOLERANCES (UNLESS SPECIFIED)	
mm	INCH
4 PLACES	± ---
3 PLACES	± ---
2 PLACES	± 0.25
1 PLACE	± 0.25
ANGULAR ± 3 °	

DRAFT WHERE APPLICABLE
MUST REMAIN
WITHIN DIMENSIONS

DIMENSION STYLE	
MM ONLY	
DRAWN BY	DATE
E. K.	2008/10/07
CHECKED BY	DATE
DAVID ZHANG	2008/10/07
APPROVED BY	DATE
NAGESHKN	2010/01/04
MATERIAL NO.	
SEE TABLE	
SIZE	
A3	

SCALE	DESIGN UNITS	THIRD ANGLE PROJECTION
NTS	METRIC	
TITLE		
MINI PCI EXP.0.8MM PITCH		
DOCUMENT NO.		SHEET NO.
MOLEX INCORPORATED		3 OF 3
SD-48338-002		