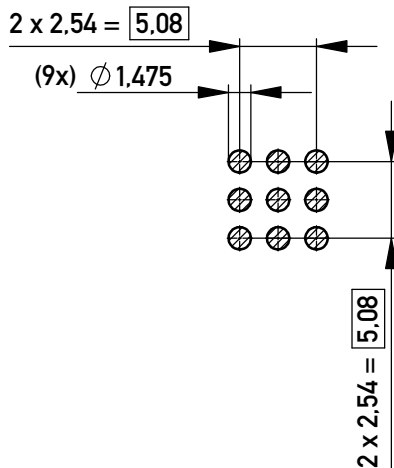
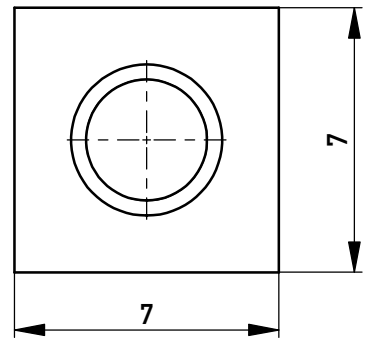
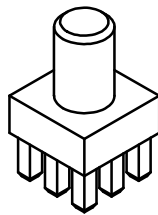


Layout - Vorschlag  
 PCB - Layout proposal  
 M / scale 2:1



M / scale 2:1



2-6µm Sn matt über 1-3µm Cu /  
 2-6µm sn matt over 1-3µm cu

(A) Oberfläche / plating

Information:	Tolerances	 All Dimensions in mm	Scale	5:1
	All rights reserved. Only for Information. To ensure that this is the latest version of this drawing, please contact one of the ERNI companies before using.		Subject to modification without prior notice. Drawing will not be updated.	Material:
 www.ERNI.com		Designation		<b>PowerElement male thread</b> <b>M4 full population</b>
	b Index	17.06.2019 Date	225804	
		Class		POWELM

Copyright by ERNI Production GmbH & Co. KG  
 Proprietary notice pursuant to ISO 16016 to be observed.