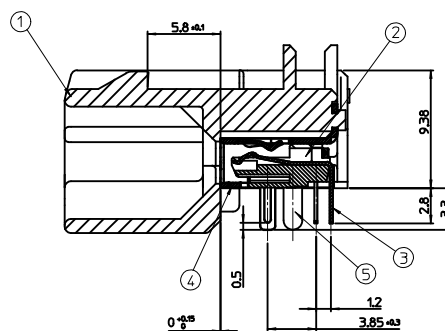
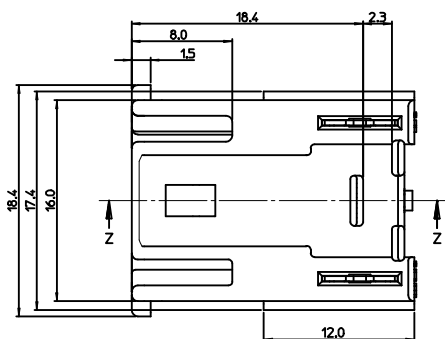
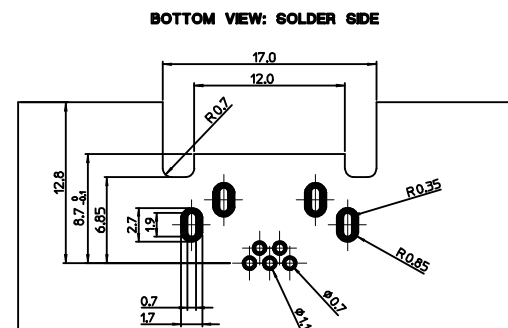
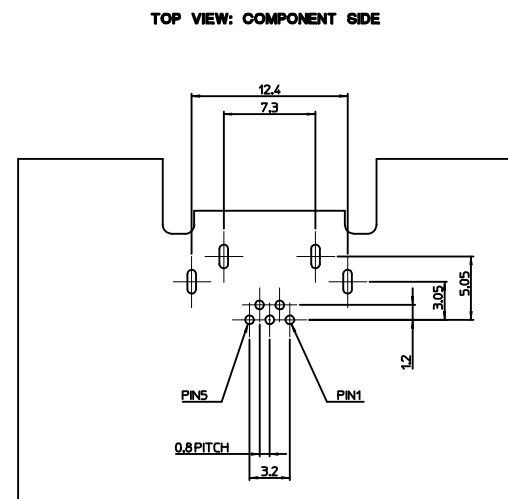
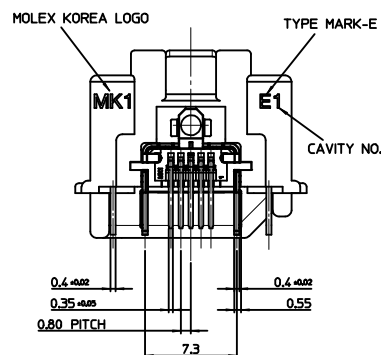
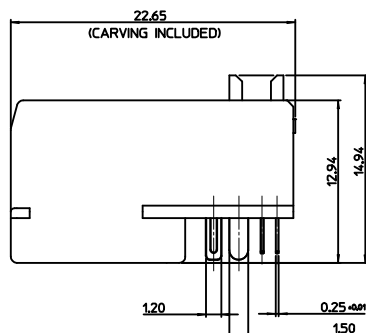
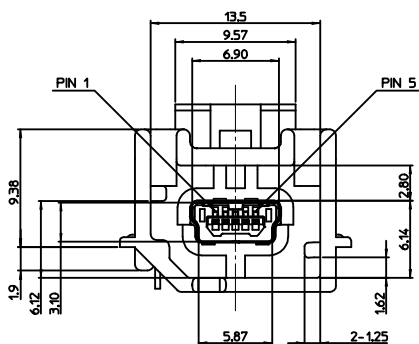


ISOVIEW



SECTION Z-Z

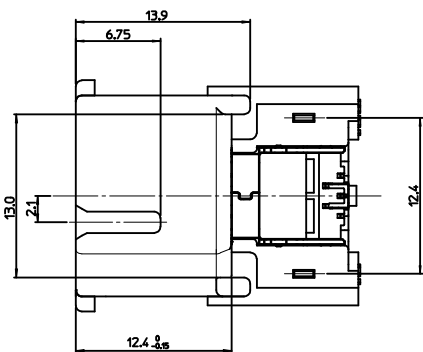


GENERAL TOLERANCE : ±0.05

**RECOMMENDED PCB LAYOUT**

NOTES

- MATES WITH :  
(MOLEX SERIES NO. : 111014, 111015, 111005, 111041, 111019, 111020)
- SHROUD GEOMETRY AND ASSEMBLY WITH USB MINI-B CONNECTOR ARE ACCORDING TO USCAR STD 999-U-USB-Z01
- FINISHES
  - TERMINAL :  
CONTACT AREA : GOLD 0.75µm MIN.  
SOLDER TAIL AREA : TIN 3.8µm MIN.  
UNDER PLATING : NI 1.25µm MIN.
  - SHIELD CASE :  
3.0µm MIN. TIN OVER NI 1.0µm MIN.
  - FITTING NAIL :  
3.0µm MIN. TIN OVER NI 1.0µm MIN.
- UNLESS OTHERWISE SPECIFIED, TYPICAL RECOMMENDED PCB MANUFACTURING TOLERANCE IS ±0.05
- PCB THICKNESS : 1.6mm(REFERENCE)



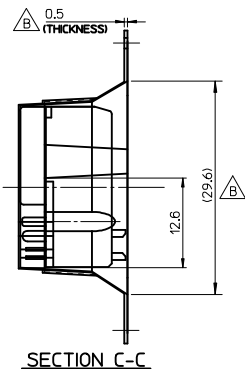
<PART LIST>

NO.	PART NAME	MATERIALS
①	SHROUD	SPS, GLASS FILLED, UL94 HB
②	REC. HOUSING	LCP, GLASS FILLED, UL94 V-0
③	TERMINAL	COPPER ALLOY
④	SHIELD CASE	PHOSPHOR BRONZE
⑤	FITTING NAIL	BRASS

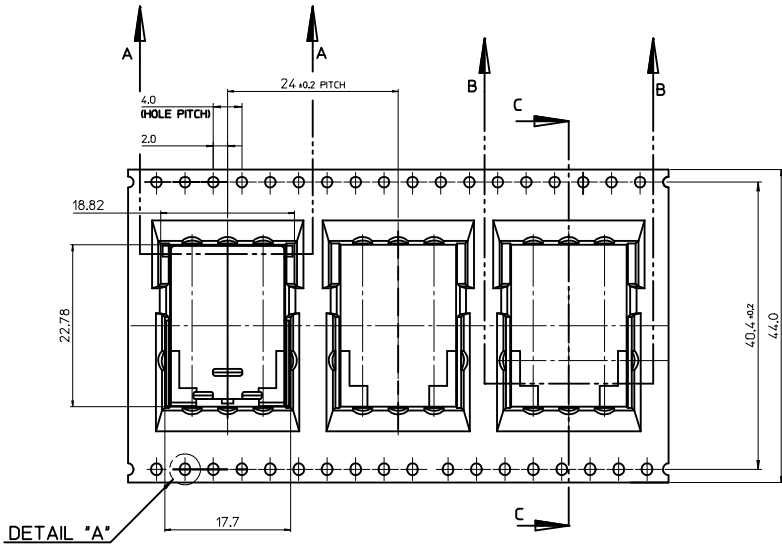
<TABLE 1>

MATERIAL NO.	ORDER NO.	PACKAGING	COLOR
1040870924	104087-0924	TAPE & REEL	BLUE

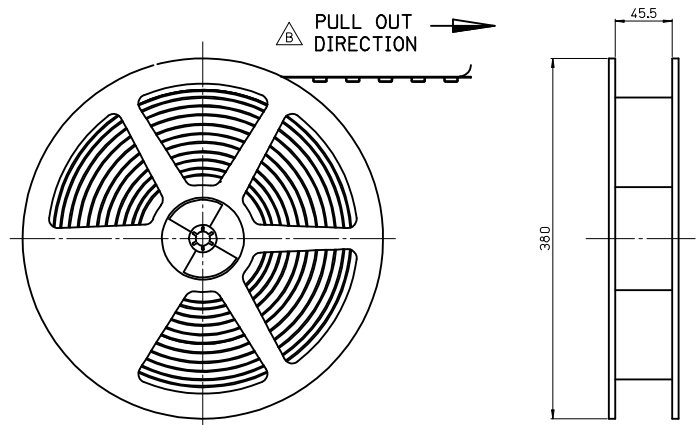
DRAWING ERROR EC NO: K1R207-0033 DRAWN: MK1W02 CHKD: APPR: JHJANG REV	DESCRIPTION 2017/03/20	QUALITY SYMBOLS	GENERAL TOLERANCES (UNLESS SPECIFIED)	DIMENSION STYLE	SCALE	DESIGN UNITS	THIRD ANGLE PROJECTION	
		▽=0	mm INCH	MM ONLY	5:1	METRIC	☐	
		▽=0	4 PLACES ± --- ± ---	HIMOOO	DATE	TITLE	HSAUTOLINK R/A HEADER TYPE-E FOR HMI MODULE (TAPE & REEL PACKING)	
		▽=0	3 PLACES ± --- ± ---	CHECKED BY	DATE			
▽=0	2 PLACES ± 0.15 ± ---	BCYOON	2013/05/02					
		0 PLACE ± --- ± ---	APPROVED BY	DATE	molex			
			JHBAE	2013/07/30	DOCUMENT NO.		SHEET NO.	
					SD-104087-008		1 OF 2	
DRAFT WHERE APPLICABLE MUST REMAIN WITHIN DIMENSIONS				SEE TABLE 1		THIS DRAWING CONTAINS INFORMATION THAT IS PROPRIETARY TO MOLEX INCORPORATED AND SHOULD NOT BE USED WITHOUT WRITTEN PERMISSION		



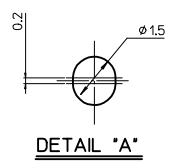
SECTION C-C



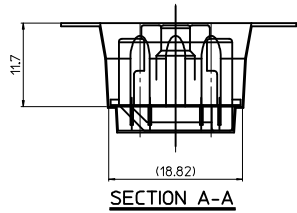
EMBOSS TAPE



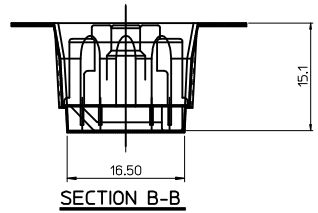
PLASTIC BOBBIN



DETAIL "A"



SECTION A-A

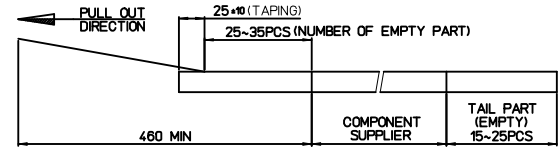


SECTION B-B

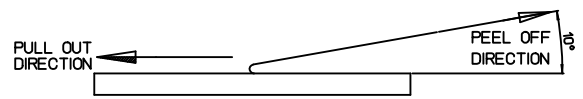
NOTES

1. QUANTITY OF CONNECTORS : 200EA/REEL
2. MATERIAL
  - EMBOSS TAPE : P.E.T ANTISTATIC
  - PASTIC BOBBIN : P.S

3. LEAD LENGTH

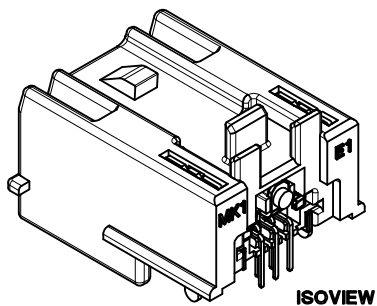


4. PEELING OFF FORCE OF COVER TAPE : 0.1N~0.59N(10.2GF~60GF)  
(PEELING DIRECTION AS SHOW IN FOLLOW FIG.)  
PEELING OFF SPEED : 300mm/Min.(Ref.)

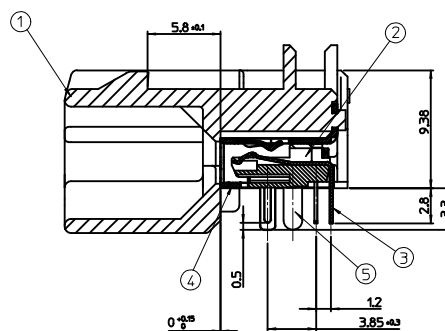
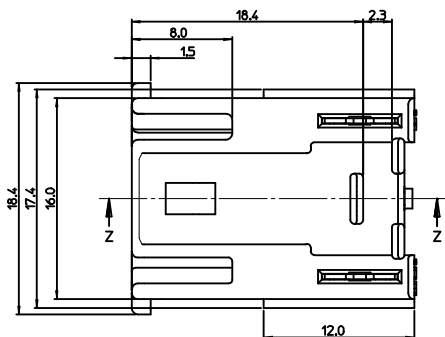


5. FLASH IN ANY PORTION SHOULD BE LESS THAN 0.20mm MAX.

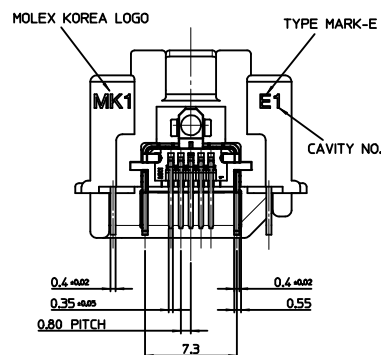
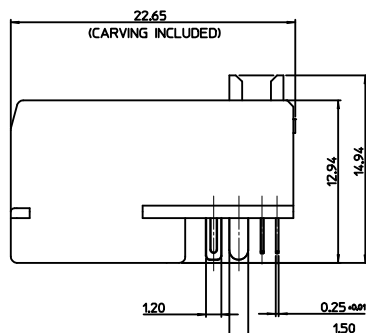
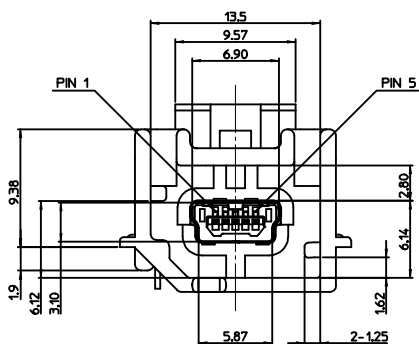
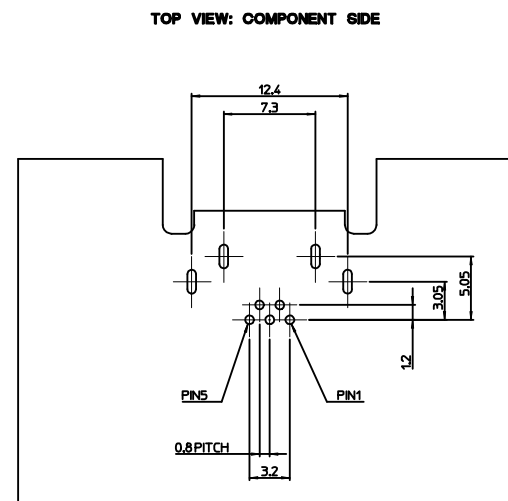
<b>DRAWING ERROR</b> EC NO: KTR2017-0033 DRAWN: JMK/NO2 2017/01/14 CHKO: JMK/NO2 APPR: JHJANG 2017/03/20	QUALITY SYMBOLS	GENERAL TOLERANCES (UNLESS SPECIFIED)		DIMENSION STYLE MM ONLY		SCALE 5:1	DESIGN UNITS METRIC	THIRD ANGLE PROJECTION
	▽=0	mm	INCH	DRAWN BY	DATE	TITLE		
	▽=0	4 PLACES ± --- ± ---		HIMOON	2013/05/02	HSAUTOLINK R/A HEADER TYPE-E FOR HMI MODULE (TAPE & REEL PACKING)		
	▽=0	3 PLACES ± --- ± ---		CHECKED BY	DATE			
	2 PLACES ± 0.15 ± ---		BCYOON	2013/05/02	MATERIAL NO.			
	1 PLACE ± 0.25 ± ---		APPROVED BY	DATE	SEE TABLE 1	SD-104087-008	2 OF 2	
	0 PLACE ± --- ± ---		JHBAE	2013/07/30	THIS DRAWING CONTAINS INFORMATION THAT IS PROPRIETARY TO MOLEX INCORPORATED AND SHOULD NOT BE USED WITHOUT WRITTEN PERMISSION			
		ANGULAR ± 1 °						
		DRAFT WHERE APPLICABLE MUST REMAIN WITHIN DIMENSIONS						



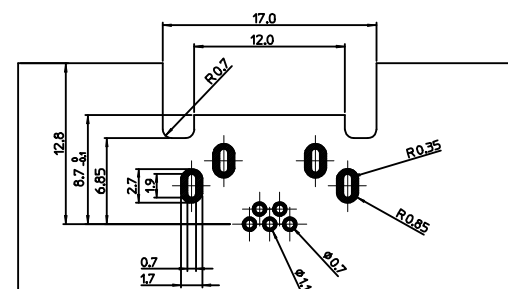
ISOVIEW



SECTION Z-Z



BOTTOM VIEW: SOLDER SIDE



GENERAL TOLERANCE : ±0.05

RECOMMENDED PCB LAYOUT

NOTES

- MATES WITH :  
(MOLEX SERIES NO. : 111014, 111015, 111005, 111041, 111019, 111020)
- SHROUD GEOMETRY AND ASSEMBLY WITH USB MINI-B CONNECTOR ARE ACCORDING TO USCAR STD 999-U-USB-Z01
- FINISHES
  - TERMINAL :  
CONTACT AREA : GOLD 0.75µm MIN.  
SOLDER TAIL AREA : TIN 3.8µm MIN.  
UNDER PLATING : NI 1.25µm MIN.
  - SHIELD CASE :  
3.0µm MIN. TIN OVER NI 1.0µm MIN.
  - FITTING NAIL :  
3.0µm MIN. TIN OVER NI 1.0µm MIN.
- UNLESS OTHERWISE SPECIFIED, TYPICAL RECOMMENDED PCB MANUFACTURING TOLERANCE IS ±0.05
- PCB THICKNESS : 1.6mm(REFERENCE)

<PART LIST>

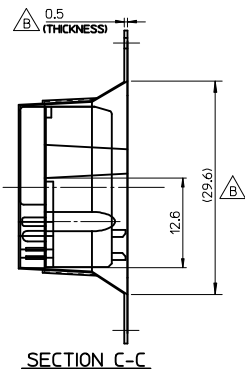
NO.	PART NAME	MATERIALS
①	SHROUD	SPS, GLASS FILLED, UL94 HB
②	REC. HOUSING	LCP, GLASS FILLED, UL94 V-0
③	TERMINAL	COPPER ALLOY
④	SHIELD CASE	PHOSPHOR BRONZE
⑤	FITTING NAIL	BRASS

<TABLE 1>

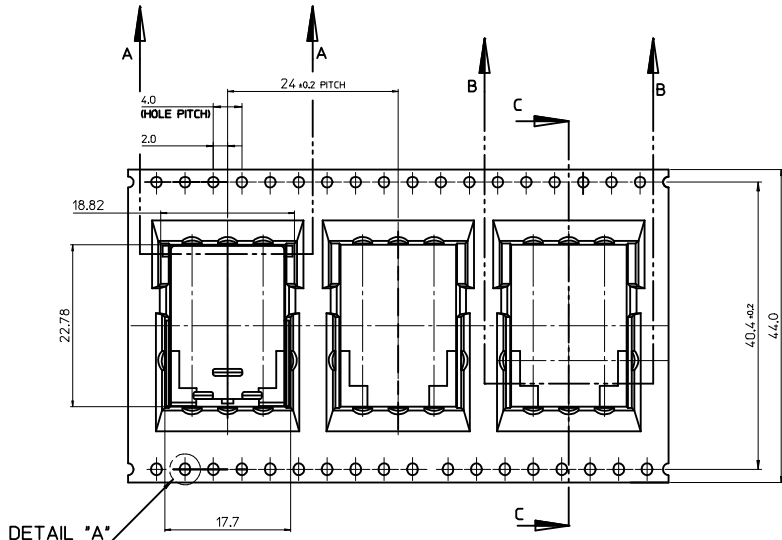
MATERIAL NO.	ORDER NO.	PACKAGING	COLOR
1040870924	104087-0924	TAPE & REEL	BLUE

DRAWING ERROR EC NO: K1R207-0033 DRAWN: MK1W02 CHKD: APPR: JHJANG REV	DESCRIPTION 2017/03/20	QUALITY SYMBOLS	GENERAL TOLERANCES (UNLESS SPECIFIED)	DIMENSION STYLE MM ONLY	SCALE 5:1	DESIGN UNITS METRIC	THIRD ANGLE PROJECTION
		▽=0	4 PLACES ± --- ± ---	mm	DRAWN BY HIMOON	DATE 2013/05/02	TITLE HSAUTOLINK R/A HEADER TYPE-E FOR HMI MODULE (TAPE & REEL PACKING)
		▽=0.1	3 PLACES ± --- ± ---	INCH	CHECKED BY BCYOON	DATE 2013/05/02	molex
		▽=0.2	2 PLACES ± 0.15 ± ---	ANGULAR ± 1°	APPROVED BY JHBAE	DATE 2013/07/30	
▽=0.3	1 PLACE ± --- ± ---	0 PLACE ± --- ± ---	DRAFT WHERE APPLICABLE MUST REMAIN WITHIN DIMENSIONS	MATERIAL NO.	DOCUMENT NO.	SHEET NO.	
			SEE TABLE 1	SD-104087-008	1 OF 2		

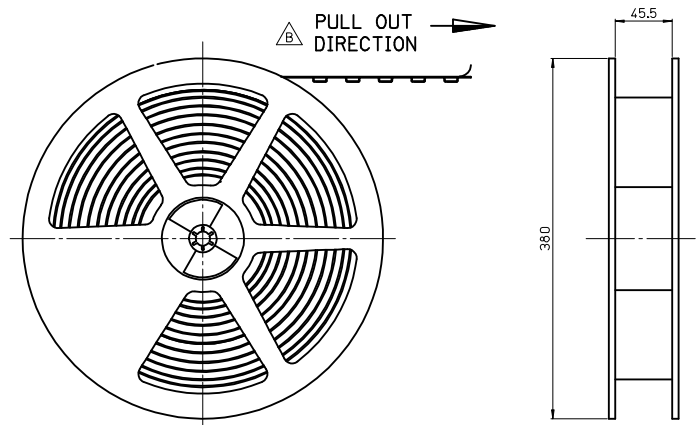
THIS DRAWING CONTAINS INFORMATION THAT IS PROPRIETARY TO MOLEX INCORPORATED AND SHOULD NOT BE USED WITHOUT WRITTEN PERMISSION



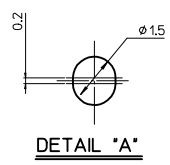
SECTION C-C



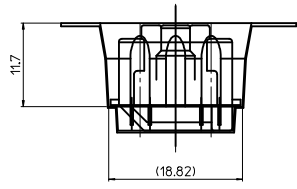
EMBOSS TAPE



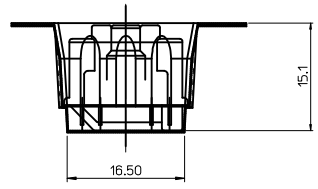
PLASTIC BOBBIN



DETAIL "A"



SECTION A-A

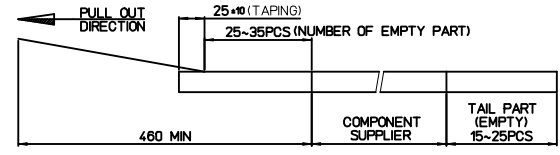


SECTION B-B

NOTES

1. QUANTITY OF CONNECTORS : 200EA/REEL
2. MATERIAL
  - EMBOSS TAPE : P.E.T ANTISTATIC
  - PASTIC BOBBIN : P.S

3. LEAD LENGTH



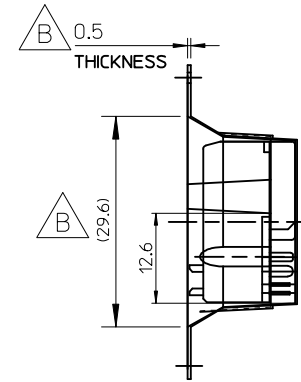
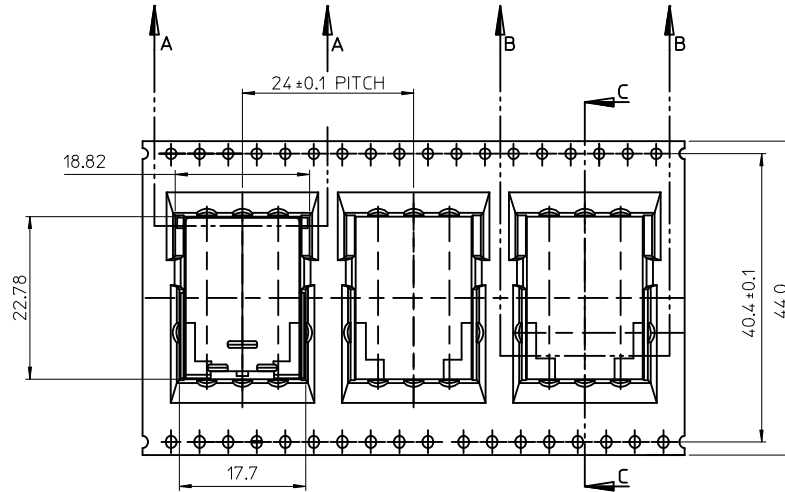
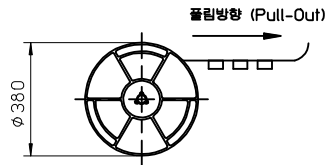
4. PEELING OFF FORCE OF COVER TAPE : 0.1N~0.59N(10.2GF~60GF)  
(PEELING DIRECTION AS SHOW IN FOLLOW FIG.)  
PEELING OFF SPEED : 300mm/Min.(Ref.)



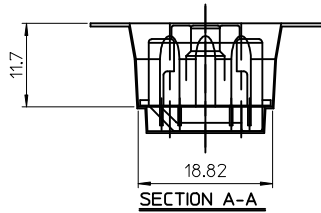
5. FLASH IN ANY PORTION SHOULD BE LESS THAN 0.20mm MAX.

<b>DRAWING ERROR</b> EC NO: KTR2017-0033 DRAWN: JMK/NO2 2017/01/14 CHKO: JMK/NO2 APPR: JHJANG 2017/03/20	QUALITY SYMBOLS	GENERAL TOLERANCES (UNLESS SPECIFIED)		DIMENSION STYLE MM ONLY		SCALE 5:1	DESIGN UNITS METRIC	THIRD ANGLE PROJECTION
	▽=0	mm	INCH	DRAWN BY	DATE	TITLE		
	▽=0	4 PLACES ± --- ± ---		HIMOON	2013/05/02	HSAUTOLINK R/A HEADER TYPE-E FOR HMI MODULE (TAPE & REEL PACKING)		
	▽=0	3 PLACES ± --- ± ---		CHECKED BY	DATE	<b>molex</b> MATERIAL NO. SD-104087-008 DOCUMENT NO.		
	2 PLACES ± 0.15 ± ---		BCYOON	2013/05/02	SHEET NO. 2 OF 2			
	1 PLACE ± 0.25 ± ---		APPROVED BY	DATE	THIS DRAWING CONTAINS INFORMATION THAT IS PROPRIETARY TO MOLEX INCORPORATED AND SHOULD NOT BE USED WITHOUT WRITTEN PERMISSION			
	0 PLACE ± --- ± ---		JHBAE	2013/07/30				
		ANGULAR ± 1 °		SEE TABLE 1				
		DRAFT WHERE APPLICABLE MUST REMAIN WITHIN DIMENSIONS						

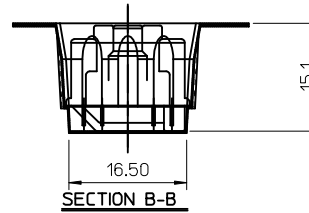
**B TAPING STYLE**



**SECTION C-C**



**SECTION A-A**



**SECTION B-B**

**NOTES**

1. MATERIAL
  - PLASTIC BOBBIN : P.S
  - CARRIER TAPE : P.E.T ANTISTATIC
- B** 2. THICKNESS : 0.5±0.05
3. PACKING QUANTITY : 200 PCS / 1 REEL

<TABLE>	
MATERIAL NO.	ORDER NO.
1040879002	104087-9002

**DRAWING ERROR**  
 EC NO: KTR2017-0033  
 DRWN: JMK/IM02 2017/01/14  
 CHKD:  
 APPR: JHJANG 2017/03/20

QUALITY SYMBOLS  
 = 0  
 = 0.05

GENERAL TOLERANCES (UNLESS SPECIFIED)

	mm	INCH
4 PLACES	± ---	± ---
3 PLACES	± ---	± ---
2 PLACES	± 0.15	± ---
1 PLACE	± 0.25	± ---

ANGULAR ± 1 °

DRAFT WHERE APPLICABLE MUST REMAIN WITHIN DIMENSIONS

DIMENSION STYLE  
**MM ONLY**

DRAWN BY	DATE
HIMOON	2013/05/02
CHECKED BY	DATE
BCYOON	2013/05/02
APPROVED BY	DATE
JHJANG	2017/03/20

MATERIAL NO. SEE TABLE

SIZE **A4**

SCALE  
 DESIGN UNITS  
**METRIC**

THIRD ANGLE PROJECTION

TITLE  
**HSAUTOLINK R/A HEADER TYPE-E FOR HMI MODULE (TAPE & REEL PACKING)**

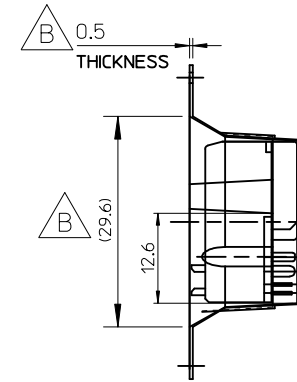
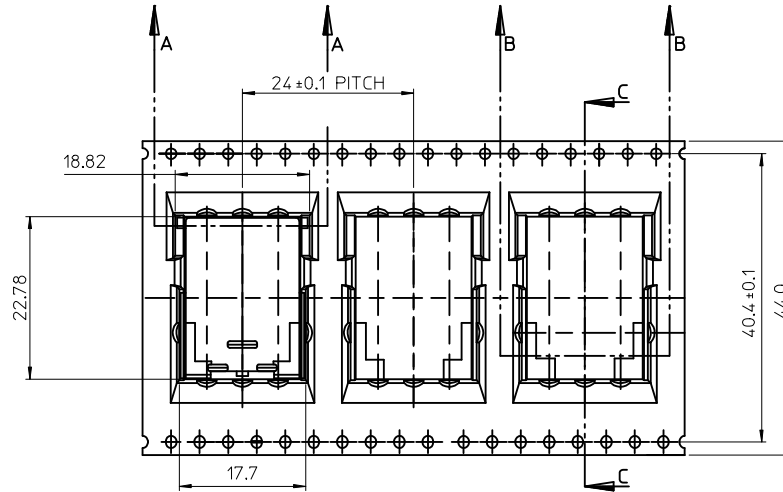
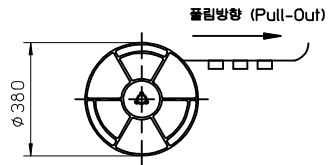
**molex** MOLEX INCORPORATED

DOCUMENT NO. SD-104087-011

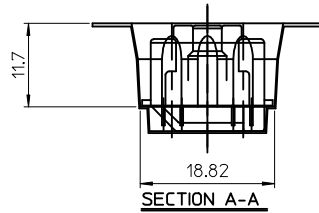
SHEET NO. 1 OF 1

THIS DRAWING CONTAINS INFORMATION THAT IS PROPRIETARY TO MOLEX INCORPORATED AND SHOULD NOT BE USED WITHOUT WRITTEN PERMISSION

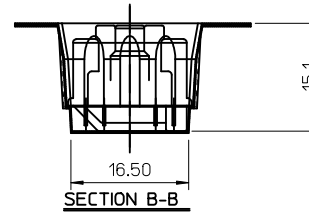
**B TAPING STYLE**



**SECTION C-C**



**SECTION A-A**



**SECTION B-B**

**NOTES**

1. MATERIAL
  - PLASTIC BOBBIN : P.S
  - CARRIER TAPE : P.E.T ANTISTATIC
- B** 2. THICKNESS : 0.5±0.05
3. PACKING QUANTITY : 200 PCS / 1 REEL

<TABLE>	
MATERIAL NO.	ORDER NO.
1040879002	104087-9002

**DRAWING ERROR**  
 EC NO: KTR2017-0033  
 DRWN: JMK/IM02 2017/01/14  
 CHKD:  
 APPR: JHJANG 2017/03/20

QUALITY SYMBOLS  
 = 0  
 = 0.05

GENERAL TOLERANCES (UNLESS SPECIFIED)		
	mm	INCH
4 PLACES	± ---	± ---
3 PLACES	± ---	± ---
2 PLACES	± 0.15	± ---
1 PLACE	± 0.25	± ---
ANGULAR ± 1 °		
DRAFT WHERE APPLICABLE MUST REMAIN WITHIN DIMENSIONS		

DIMENSION STYLE	
MM ONLY	
DRAWN BY	DATE
HIMOON	2013/05/02
CHECKED BY	DATE
BCYOON	2013/05/02
APPROVED BY	DATE
JHJANG	2017/03/20
MATERIAL NO.	
SEE TABLE	
SIZE	
A/4	

SCALE	DESIGN UNITS	THIRD ANGLE PROJECTION
	METRIC	
TITLE		
HSAUTOLINK R/A HEADER TYPE-E FOR HMI MODULE (TAPE & REEL PACKING)		
molex MOLEX INCORPORATED		
MATERIAL NO.	DOCUMENT NO.	SHEET NO.
SEE TABLE	SD-104087-011	1 OF 1
THIS DRAWING CONTAINS INFORMATION THAT IS PROPRIETARY TO MOLEX INCORPORATED AND SHOULD NOT BE USED WITHOUT WRITTEN PERMISSION		