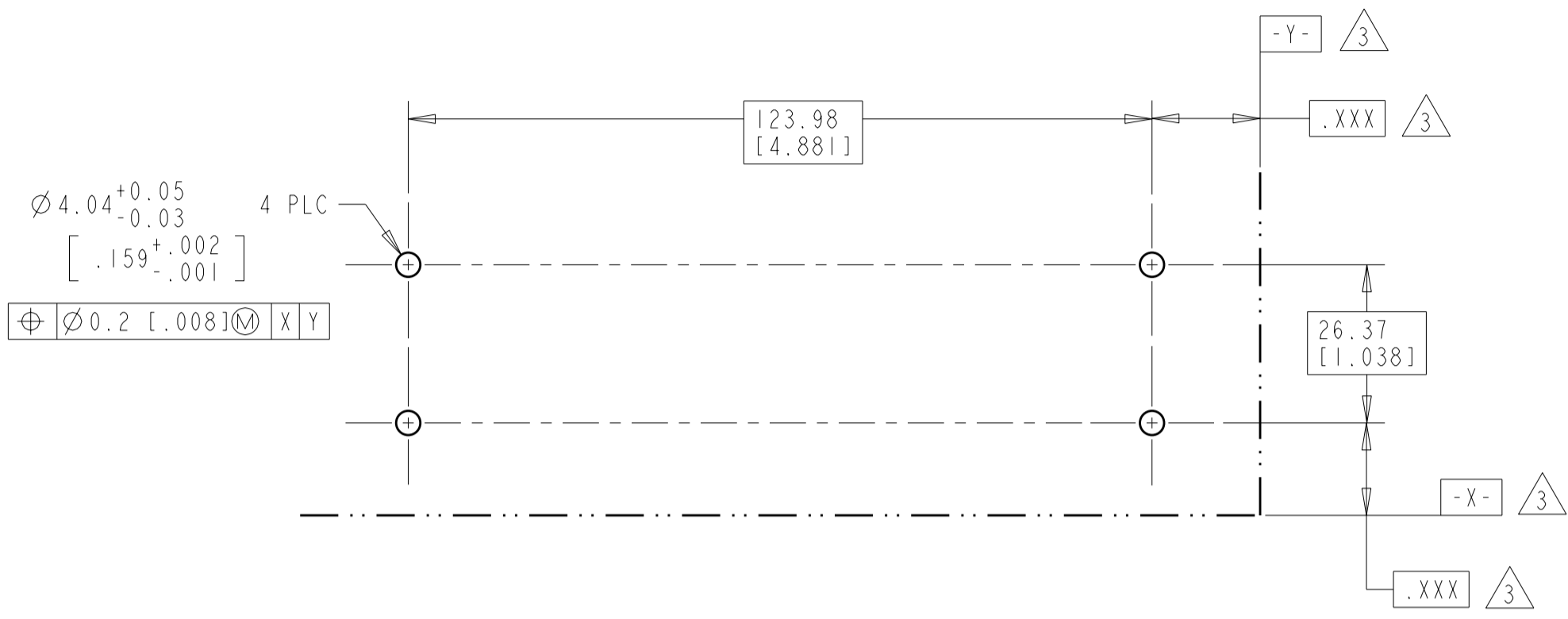
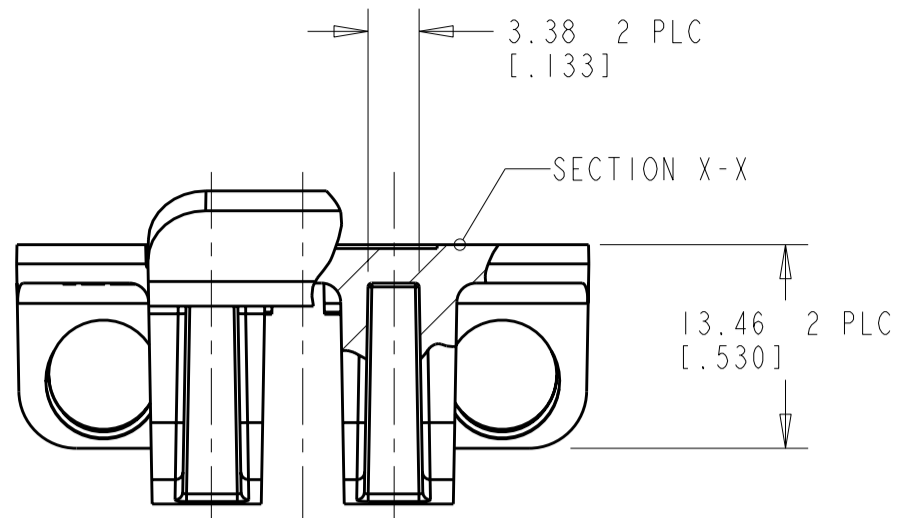
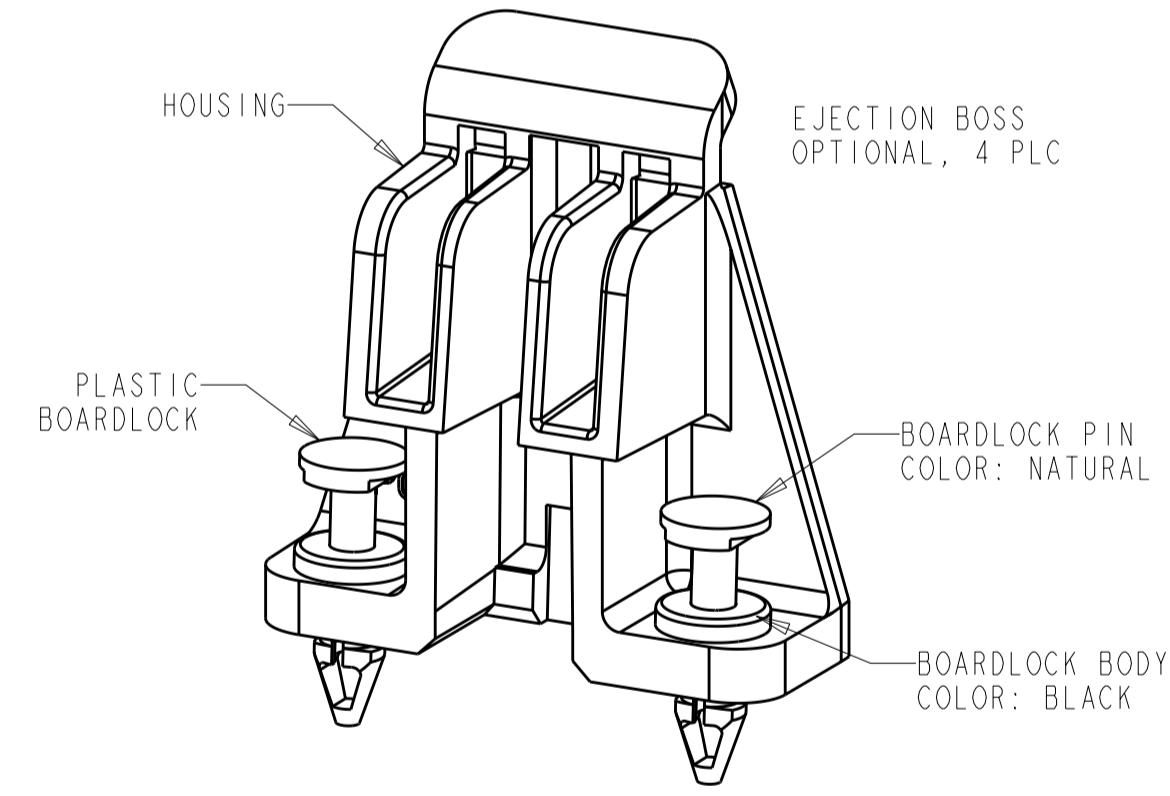
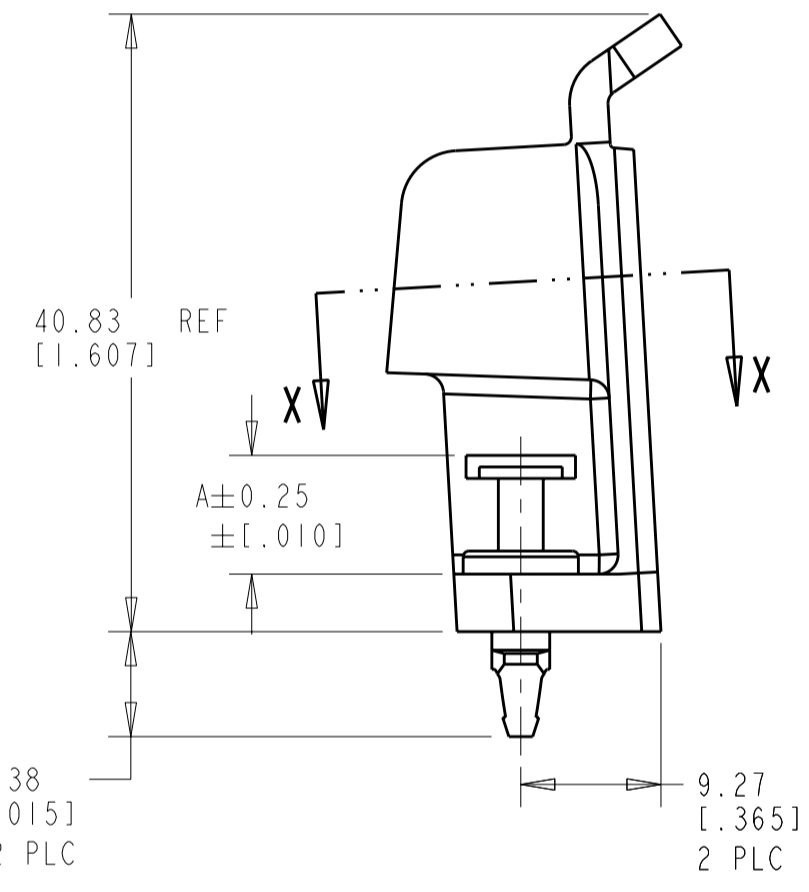
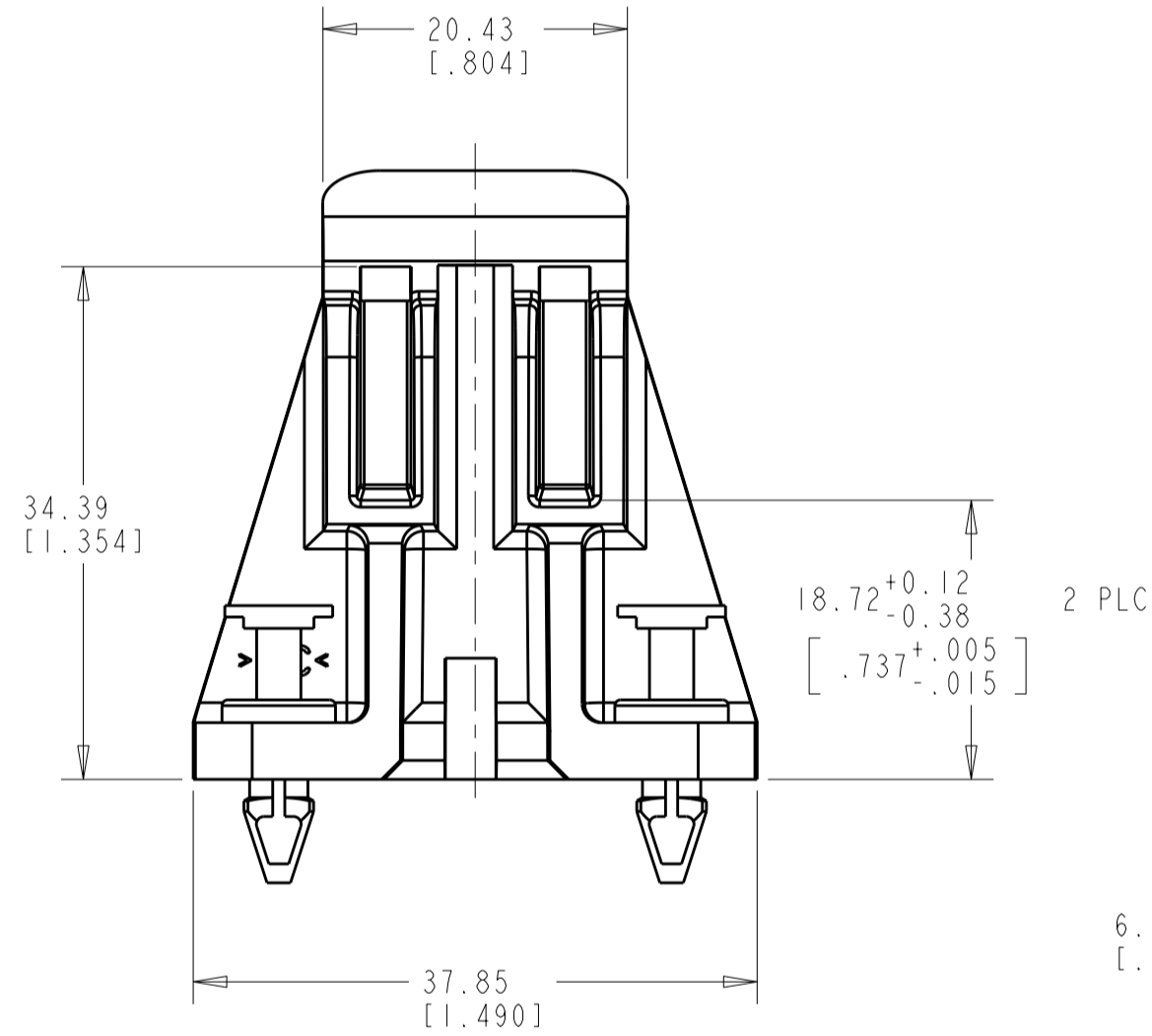


THIS DRAWING IS UNPUBLISHED. RELEASED FOR PUBLICATION .19
 © COPYRIGHT 19 BY AMP INCORPORATED. ALL RIGHTS RESERVED.

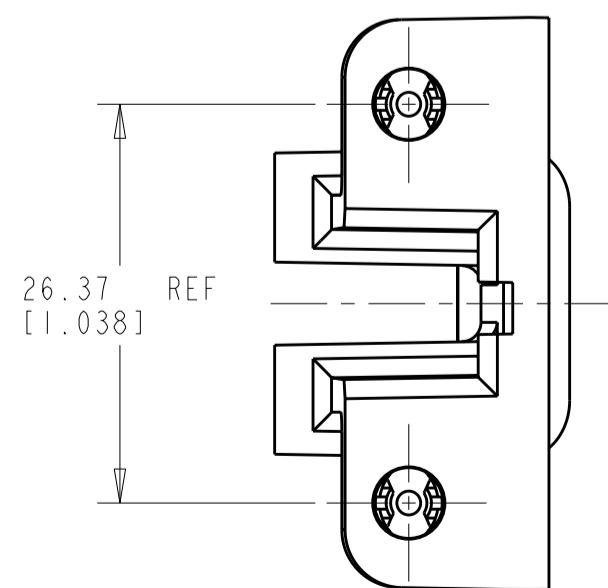
LOC	DIST	REVISIONS			
F	LTR	DESCRIPTION	DATE	DWN	APVD
A		REVISED PER EC 0651-0060-98	15MAY98	AV	VR
B		REVISED PER EC 0651-0114-98	16JUL98	AV	VR
C		REVISED PER EC 0S1B-0129-99	09DEC99	JG	MB
CI		REVISED PER ECO-09-027197	10DEC2009	KK	AEG



RECOMMENDED PC BOARD LAYOUT $\Delta 2$
 SCALE 1:1



MODULE



- $\Delta 1$ MATERIAL:
 HOUSING- UL 94-VO RATED POLYCARBONATE. COLOR: BLACK.
 PLASTIC BOARDLOCK- NYLON.
- $\Delta 2$ RECOMMENDED PC BOARD THICKNESS OF 1.57±0.15[.062±.006].
- $\Delta 3$ DATUM AND BASIC DIMENSIONS ESTABLISHED BY CUSTOMER.
- $\Delta 4$ 145333-1 IS COMPLETE 2 MODULE KIT, REQUIRED FOR ONE PROCESSOR.
- $\Delta 5$ 145333-2 IS ONLY ONE MODULE, 2 MODULES ARE REQUIRED FOR ONE PROCESSOR.
- $\Delta 6$ OBSOLETE PARTS: OBSOLETE CIS STREAMLINING PER D.RENAUD/D.SINISI

$\Delta 6$ OBSOLETE	9.50[.374]	1 MODULE WITH BOARDLOCKS	$\Delta 5$	145333-3
	7.85[.309]	1 MODULE WITH BOARDLOCKS	$\Delta 5$	145333-2
	7.85[.309]	2 MODULES WITH BOARDLOCKS	$\Delta 4$	145333-1
A	DESCRIPTION	PART NUMBER		

THIS DRAWING IS A CONTROLLED DOCUMENT FOR AMP INCORPORATED. IT IS SUBJECT TO CHANGE AND THE CONTROLLING ENGINEERING ORGANIZATION SHOULD BE CONTACTED FOR THE LATEST REVISION.		DWN A. VASBINDER 22APR98	AMP Incorporated Harrisburg, PA 17105-3608	
DIMENSIONS: mm [INCHES]		CHK A. VASBINDER 22APR98	NAME RETENTION MODULE ASSEMBLY KIT, LOW COST, PLASTIC FASTENERS	
TOLERANCES UNLESS OTHERWISE SPECIFIED: 0 PLC ± 1 PLC ± 2 PLC ±0.13[.005] 3 PLC ± 4 PLC ± ANGLES ±° FINISH -		APVD V. RUMINSKI 22APR98	PRODUCT SPEC 108-1826	
MATERIAL $\Delta 1$		APPLICATION SPEC 114-26015	SIZE A2	CAGE CODE 00779
		WEIGHT	DRAWING NO C-145333	RESTRICTED TO -
CUSTOMER DRAWING		SCALE 2:1	SHEET 1	REV C1

145333