



MADE
IN THE **USA**

Product Description:

- Glove Box Dispenser - Double - Space Saver
- Holds two boxes of gloves end to end
- Three-way keyholes for vertical or horizontal wall mounting
- Stainless steel

Primary Area for Product Usage:

- Anywhere gloves are needed

Dispenses:

- Box(es) no larger than 5.25"W x 10.00"H x 3.75"D (13.3 cm x 25.4 cm x 9.5 cm)
- Box(es) no smaller than 3.60"W x 9.00"H x 3.00"D (9.1 cm x 22.9 cm x 7.6 cm)

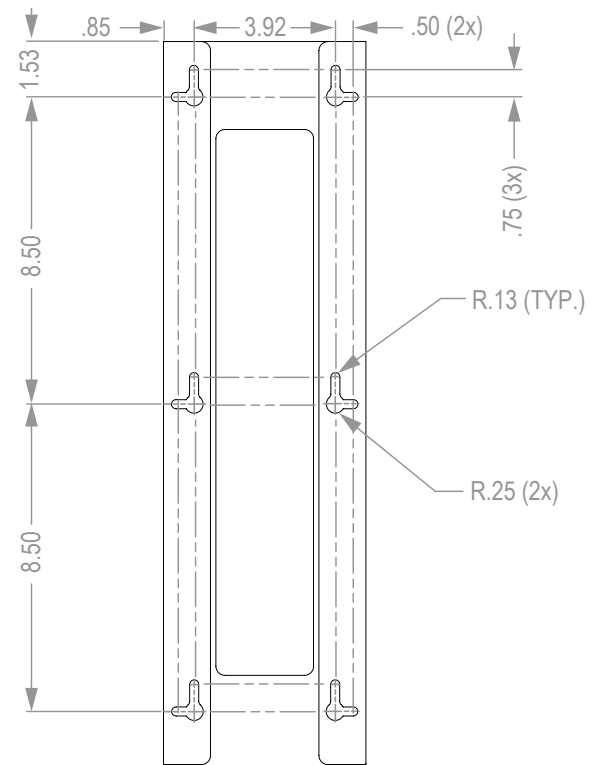
Package Specifications:

- Package Quantity: 4 per case
- 24"W x 16"H x 6"D (61.0cm x 40.6cm x 15.2cm)
- 13 lbs (5.9 kg) - approximated

Product Specifications (overall external dimensions):

- 5.60"W x 20.03"H x 3.94"D (14.2cm x 50.9cm x 10.0cm)
- 2.4 lbs (1.1 kg) - approximated

Mounting Specifications:



Related Products (each sold separately):

- GS-073: Glove Box Dispenser - Single - Built-In Spring (shown below)
- GS-109: Glove Box Dispenser - Triple - Space Saver

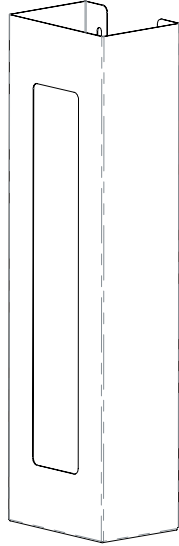




Installation

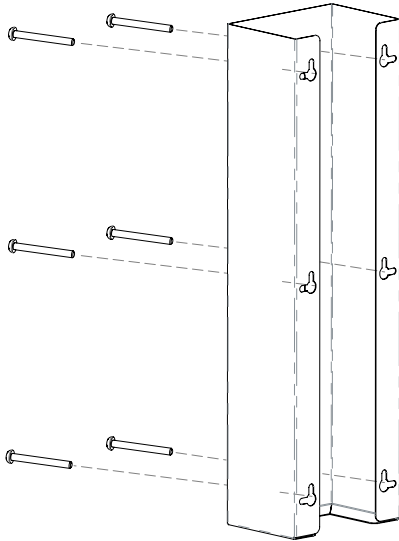
Always mount dispensers securely *prior* to loading with product.

- Vertical build and top load accommodate narrow space availability.



1

- Mount securely to a wall with screws approved and supplied by building maintenance.



2

Parts included:

- Dispenser

Tools Required:

- No tools required to assemble dispenser

Care and Construction

Stainless Steel

Material Characteristics

Designed for Long-Term, Heavy-Duty Applications

By its nature, stainless steel is resistant to corrosion and oxidation, yet the bright, easily maintained surface provides a modern and attractive appearance. Stainless steel is used overwhelmingly for its corrosion resistance characteristics. Along with being sturdy, stainless steel is also fire and heat resistant.

Stainless steel has work-hardening properties, giving the material a great strength-to-weight advantage over other materials. It also provides impact resistance and high toughness in extreme temperatures.

Care and Cleaning

Stainless steel resists a variety of common chemicals and cleaning agents. Clean using warm water, a gentle detergent, and soft cloth. Dry thoroughly to avoid spotting. Do not use steel wool.