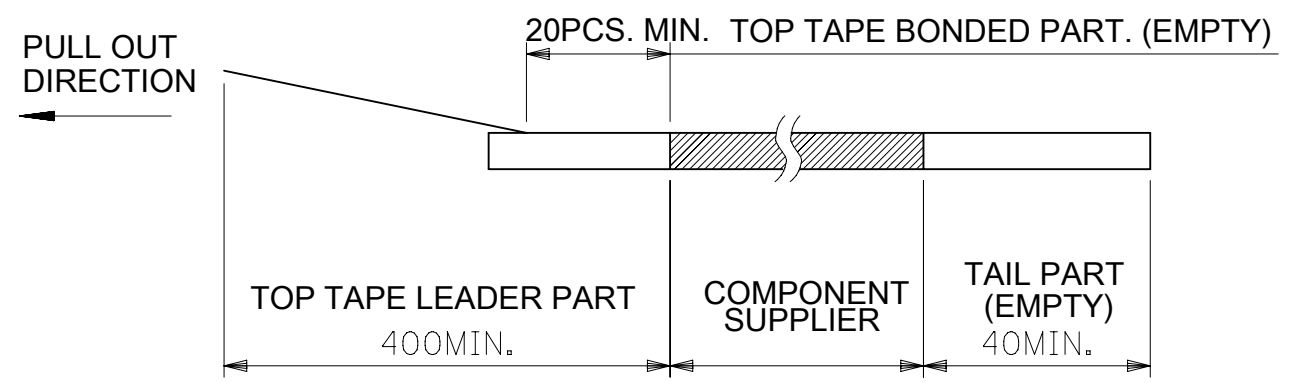
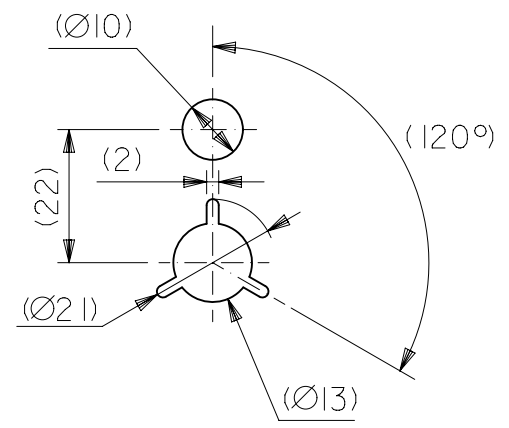


NOTES

1. DETAIL DIMENSIONS, SEE PRODUCT DRAWING.
2. NUMBER OF CONNECTORS : 8000PCS/REEL
3. LEAD TAPE LENGTH



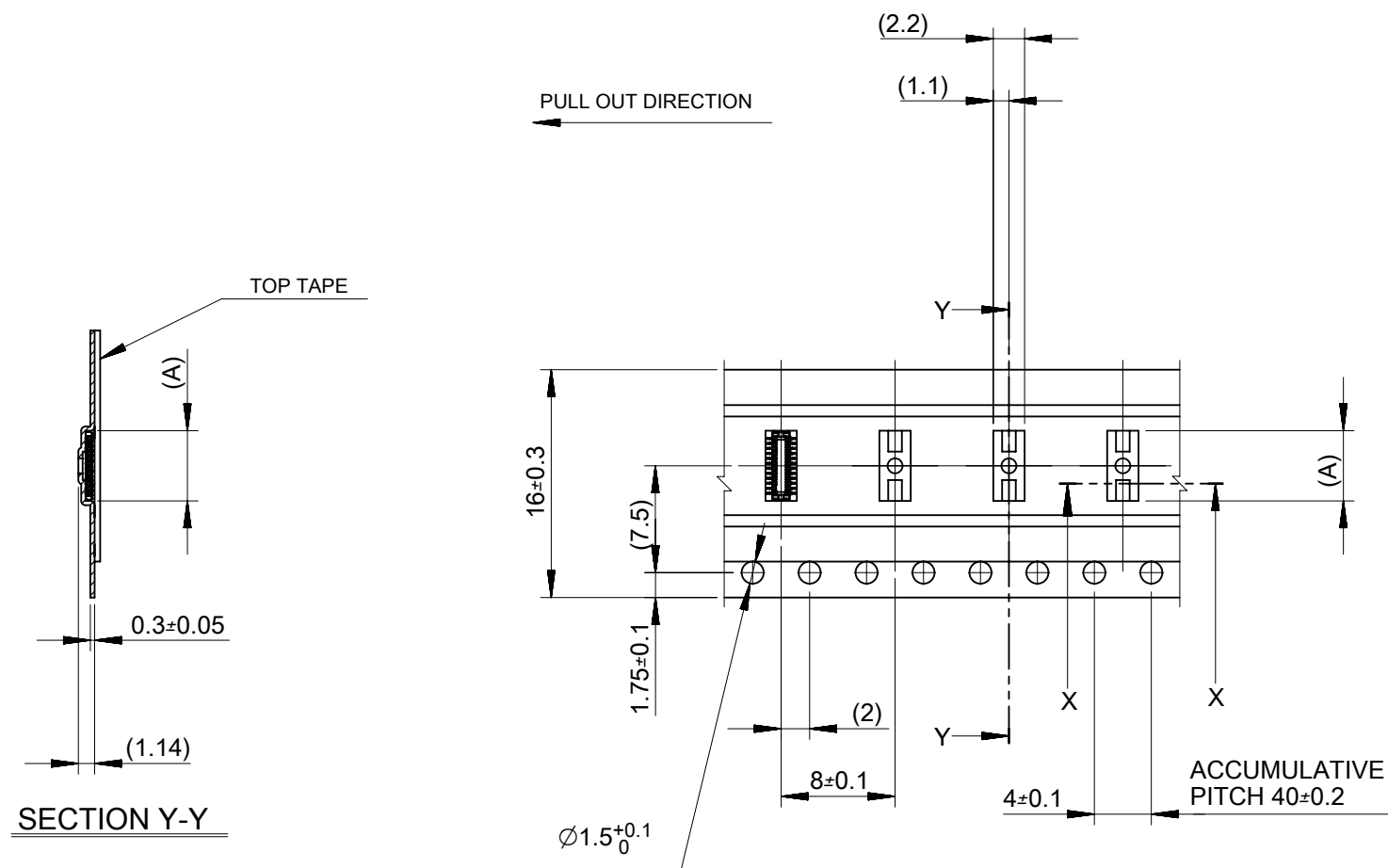
4. TOP TAPE PEEL FORCE IS DEFINED BY IEC60286-3.
5. MATERIAL
 CARRIER TAPE : POLYSTYRENE
 TOP TAPE : PET , OTHER
 REEL : POLYSTYRENE (PS) <RECYCLE MATERIAL CONTAINED>



DETAIL "D"

MODEL NO. 504622-**12

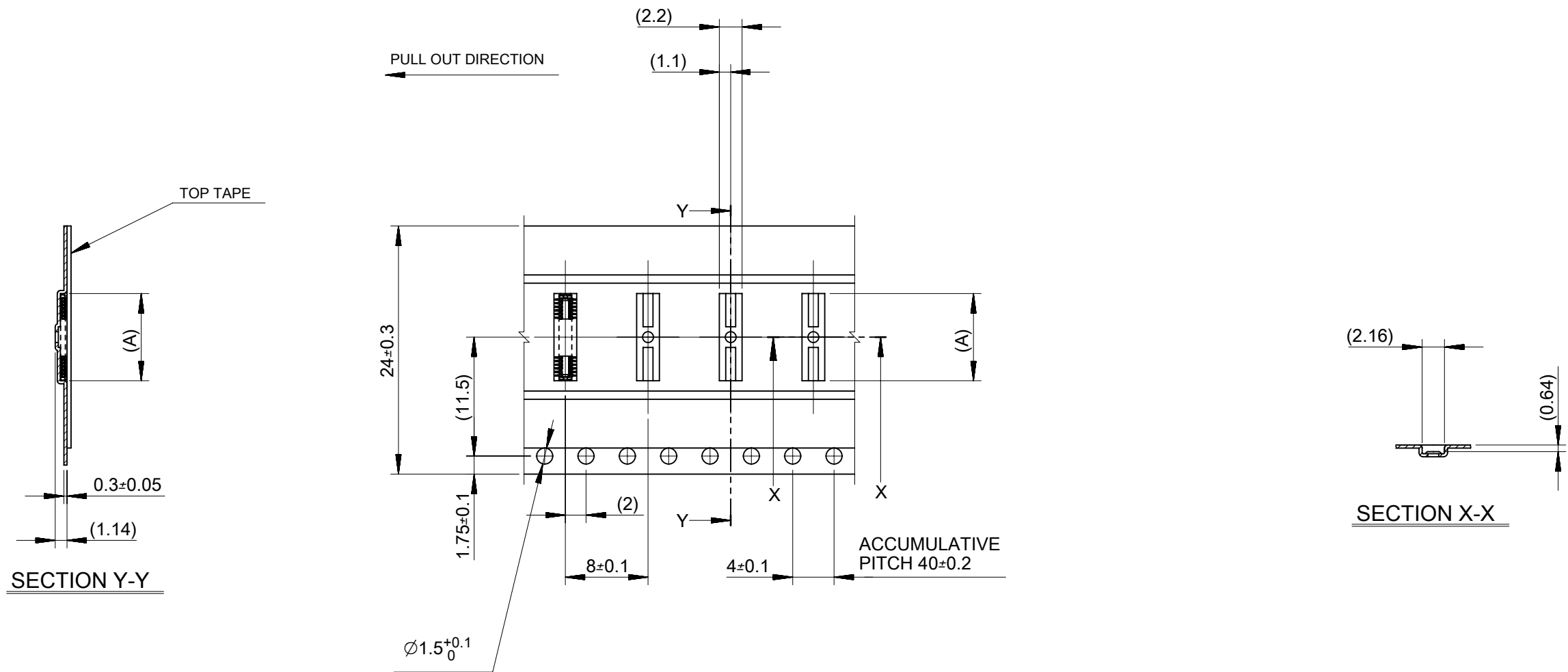
THIS DRAWING CONTAINS INFORMATION THAT IS PROPRIETARY TO MOLEX ELECTRONIC TECHNOLOGIES, LLC AND SHOULD NOT BE USED WITHOUT WRITTEN PERMISSION									
RELEASED	EC NO. 115186	2017/03/29	GENERAL TOLERANCES (UNLESS SPECIFIED)		DIMENSION UNITS	SCALE	molex [®]		
	DRWN: TNISHIDA02	2017/03/31	ANGULAR TOL ± °		MM	1:5			
	CHK'D: KTANAKA03	2017/04/03	4 PLACES ±	°	DRWN BY	DATE	0.35 BB CONN. H=0.6 SSB6 PLUG ASSY EMBSTP PKG		
	REV APPR: TKUSUHARA01		3 PLACES ±		TNISHIDA02	2017/03/29			
			2 PLACES ±		CHK'D BY	DATE	PRODUCT CUSTOMER DRAWING		
			1 PLACE ±		KTANAKA03	2017/03/31			
		0 PLACES ±		APPR BY	DATE	SERIES MATERIAL NUMBER CUSTOMER			
				TKUSUHARA01	2017/04/03				504622 SEE CHART GENERAL
			DRAFT WHERE APPLICABLE MUST REMAIN WITHIN DIMENSIONS		DRAWING SIZE	THIRD ANGLE PROJECTION	DOCUMENT NUMBER DOC TYPE DOC PART SHEET NUMBER		
					A3				



16	21.4	17.4	6.68	504622-3012	○	---	30	
			5.63	504622-2412	○	---	24	
			4.93	504622-2012	○	---	20	
			4.58	---	---	---	18	
			4.23	---	---	---	16	
			3.53	---	---	---	12	
			3.18	504622-1012	○	---	10	
			2.48	---	---	---	6	
キャリアテープ幅 CARRIER TAPE WIDTH		C	B	(A)	EMBOSSED TAPE PACKAGE	HIGH VOL. TOOL	LOW VOL. TOOL	CIRCUIT
					ORDER NO.	SAMPLE PREPARATION ○ : TOOLED △ : WORK IN PROCESS --- : TOOLING TO BE CONFIRMED		
CONNECTOR SERIES No.:504622-**09								

THIS DRAWING CONTAINS INFORMATION THAT IS PROPRIETARY TO MOLEX ELECTRONIC TECHNOLOGIES, LLC AND SHOULD NOT BE USED WITHOUT WRITTEN PERMISSION

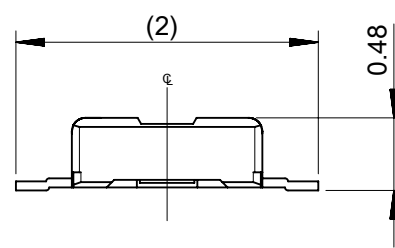
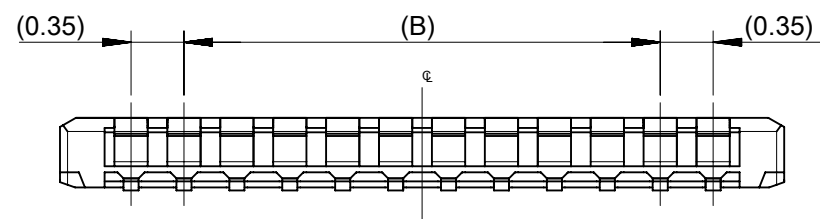
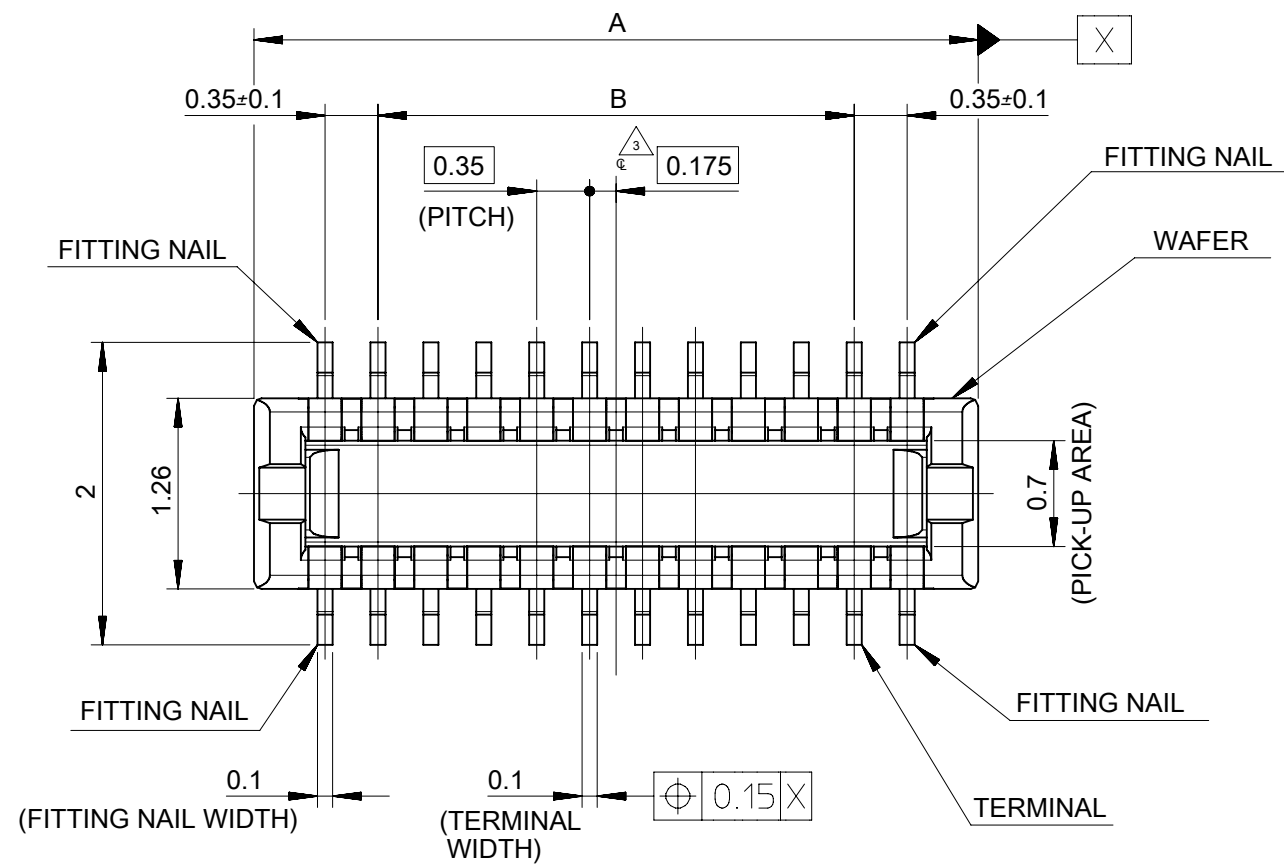
EC NO: 115186 DRWN: TNISHIDA02 CHK'D: KTANAKA03 APPR: TKUSUHARA01	2017/03/29	2017/03/31	2017/04/03	GENERAL TOLERANCES (UNLESS SPECIFIED) ANGULAR TOL ± ° 4 PLACES ± 3 PLACES ± 2 PLACES ± 1 PLACE ± 0 PLACES ± DRAFT WHERE APPLICABLE MUST REMAIN WITHIN DIMENSIONS	DIMENSION UNITS	SCALE				
	RELEASED				MM	2:1				
					DRWN BY	DATE	0.35 BB CONN. H=0.6 SSB6 PLUG ASSY EMBSTP PKG			
					TNISHIDA02	2017/03/29				
					CHK'D BY	DATE	PRODUCT CUSTOMER DRAWING			
					KTANAKA03	2017/03/31				
				APPR BY	DATE	SERIES	MATERIAL NUMBER	CUSTOMER		
				TKUSUHARA01	2017/04/03	504622	SEE CHART	GENERAL		
				DRAWING SIZE	THIRD ANGLE PROJECTION	DOCUMENT NUMBER		DOC TYPE	DOC PART	SHEET NUMBER
				A3		5046220000		PSD	004	2 OF 3



24	29.4	25.4	13.68	504622-7012	○	---	70			
			12.63	504622-6412	○	---	64			
			11.93	---	---	---	60			
			11.58	---	---	---	58			
			10.88	---	---	---	54			
			10.18	504622-5012	○	---	50			
			9.83	---	---	---	48			
			8.78	---	---	---	42			
			8.43	504622-4012	○	---	40			
			8.08	---	---	---	38			
			7.38	504622-3412	○	---	34			
キャリアテープ幅 CARRIER TAPE WIDTH			C	B	(A)	EMBOSSED TAPE PACKAGE	HIGH VOL. TOOL	LOW VOL. TOOL	CIRCUIT	
ORDER NO.			SAMPLE PREPARATION ○ : TOOLED △ : WORK IN PROCESS --- : TOOLING TO BE CONFIRMED							
CONNECTOR SERIES No.:504622-**09										

THIS DRAWING CONTAINS INFORMATION THAT IS PROPRIETARY TO MOLEX ELECTRONIC TECHNOLOGIES, LLC AND SHOULD NOT BE USED WITHOUT WRITTEN PERMISSION

EC NO: 115186 DRWN: TNISHIDA02 CHK'D: KTANAKA03 APPR: TKUSUHARA01	2017/03/29	2017/03/31	2017/04/03	GENERAL TOLERANCES (UNLESS SPECIFIED) ANGULAR TOL ± ° 4 PLACES ± 3 PLACES ± 2 PLACES ± 1 PLACE ± 0 PLACES ± DRAFT WHERE APPLICABLE MUST REMAIN WITHIN DIMENSIONS	DIMENSION UNITS	SCALE		
	RELEASED				MM	2:1		
	DRWN BY		DATE		TNISHIDA02	2017/03/29		
	CHK'D BY		DATE		KTANAKA03	2017/03/31		
	APPR BY		DATE		TKUSUHARA01	2017/04/03		
	DRAWING SIZE		THIRD ANGLE PROJECTION		A3			
PRODUCT CUSTOMER DRAWING 0.35 BB CONN. H=0.6 SSB6 PLUG ASSY EMBSTP PKG								
SERIES		MATERIAL NUMBER		CUSTOMER				
504622		SEE CHART		GENERAL				
DOCUMENT NUMBER				DOC TYPE	DOC PART	SHEET NUMBER		
5046220000				PSD	004	3 OF 3		



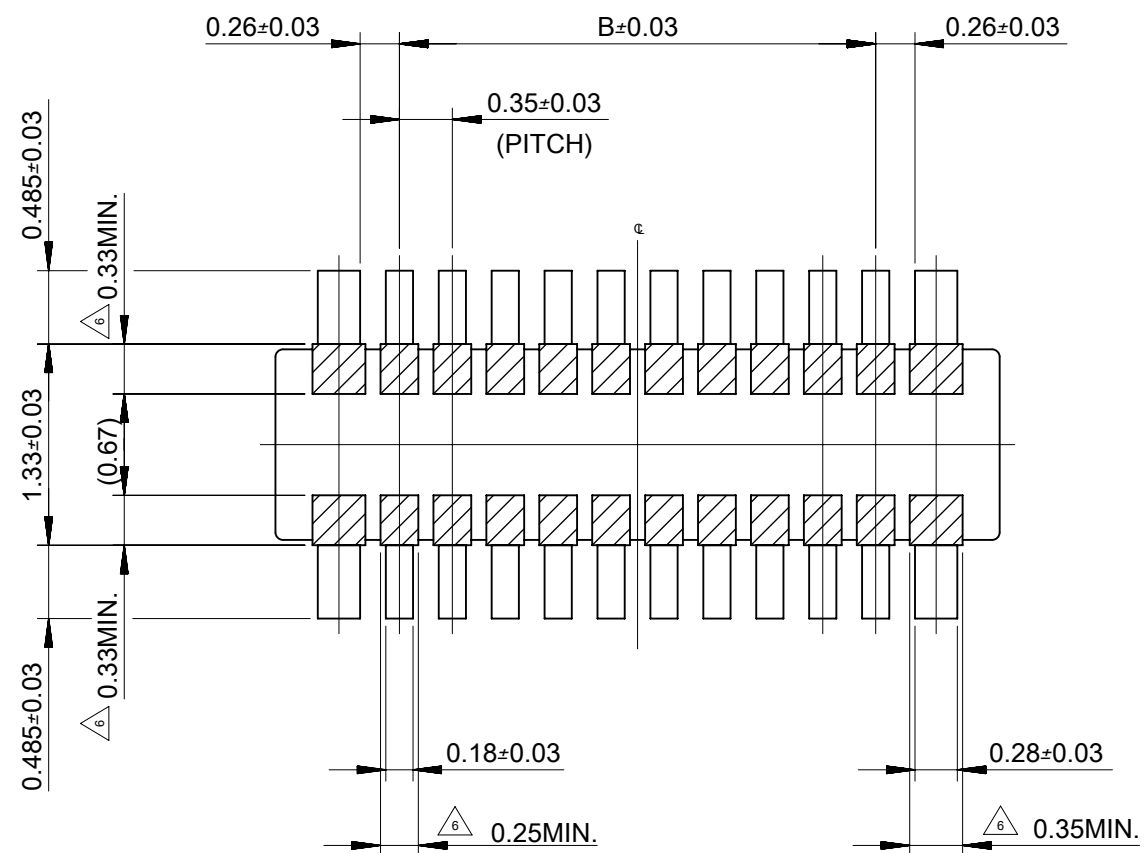
11.90±0.25	13.54±0.25	504622-7012	○	---	70
10.85±0.25	12.49±0.25	504622-6412	○	---	64
10.15±0.25	11.79±0.25	---	---	---	60
9.80	11.44±0.25	---	---	---	58
9.10	10.74±0.25	---	---	---	54
8.40	10.04±0.25	504622-5012	○	---	50
8.05	9.69	---	---	---	48
7.00	8.64	---	---	---	42
6.65	8.29	504622-4012	○	---	40
6.30	7.94	---	---	---	38
5.60	7.24	504622-3412	○	---	34
4.90	6.54	504622-3012	○	---	30
3.85	5.49	504622-2412	○	---	24
3.15	4.79	504622-2012	○	---	20
2.80	4.44	---	---	---	18
2.45	4.09	---	---	---	16
1.75	3.39	---	---	---	12
1.40	3.04	504622-1012	○	---	10
0.70	2.34	---	---	---	6
B	A	EMBOSSED TAPE PACKAGE	HIGH VOL. TOOL	LOW VOL. TOOL	CIRCUIT
ORDER NO.		SAMPLE PREPARATION ○ : TOOLED △ : WORK IN PROCESS --- : TOOLING TO BE CONFIRMED			
CONNECTOR SERIES No. : 504622-**09					

NOTES

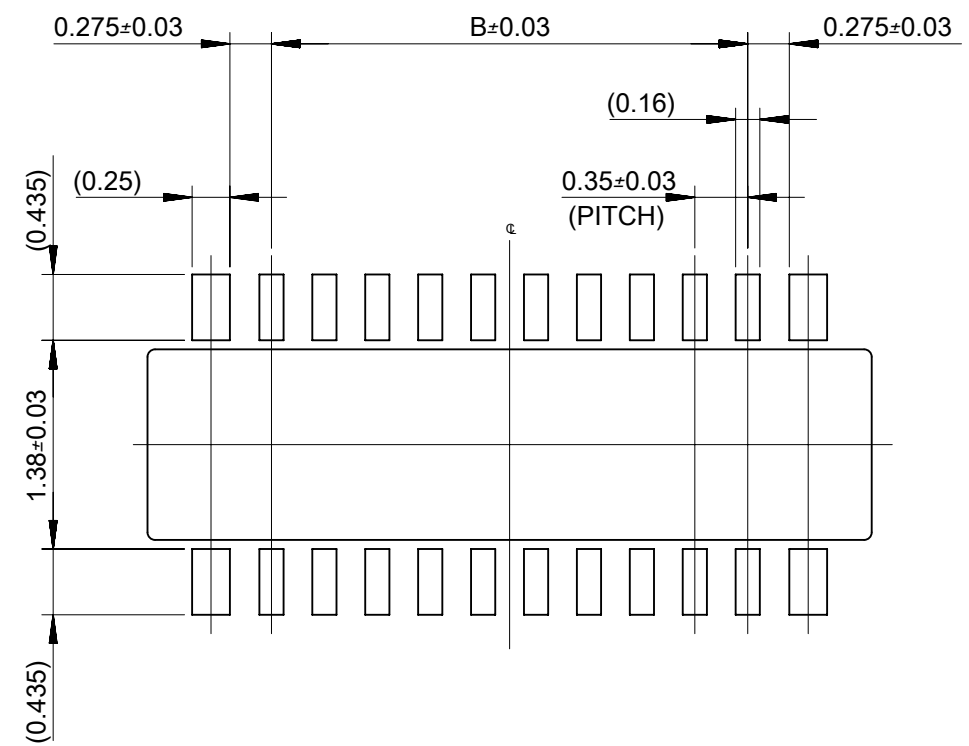
- MATERIAL**
 WAFER : LIQUID CRYSTAL POLYMER UL94V-0(COLOR : BLACK)
 PIN : COPPER ALLOY
 FITTING NAIL : COPPER ALLOY
- PLATING**
TERMINAL
 GOLD
 UNDER PLATING : NICKEL
 *DIVIDE INTO PARTS THE GOLD PLATING OF THE CONTACT AND THE TAIL PART BY THE NICKEL PLATING.
FITTING NAIL
 GOLD
 UNDER PLATING : NICKEL
- △ APPLY FOR (CIRCUIT/2)=EVEN.
- MATE WITH : 504618-**12
- TAIL AND FITTING NAIL COPLANARITY TO BE 0.08MAXIMUM.
- △ PROHIBITED AREA OF PATTERN WIRING AND SOLDER.
 (FOR EACH AREA, THE WIRING THAT TOUCHES ON THE SOLDER CAN BE ATTACHED, THEN COVERED WITH A FILM TO KEEP SOLDER OUT.)
- ELECTRIC SPEC OF FITTING NAIL IS NOT GUARANTEED WHEN MATED.

THIS DRAWING CONTAINS INFORMATION THAT IS PROPRIETARY TO MOLEX ELECTRONIC TECHNOLOGIES, LLC AND SHOULD NOT BE USED WITHOUT WRITTEN PERMISSION

RELEASED	EC NO: 115186	GENERAL TOLERANCES (UNLESS SPECIFIED)	DIMENSION UNITS	SCALE	molex®				
	DRWN: TNISHIDA02	ANGULAR TOL ± 1.0 °	MM	20:1					
	CHK'D: KTANAKA03	4 PLACES ± 0.2	DRWN BY	DATE	0.35 BB CONN. H=0.6 SSB6 PLUG ASSY				
	REV APPR: TKUSUHARA01	3 PLACES ± 0.2	TNISHIDA02	2017/03/29					
		2 PLACES ± 0.2	CHK'D BY	DATE	PRODUCT CUSTOMER DRAWING				
		1 PLACE ± 0.2	KTANAKA03	2017/03/31					
		0 PLACES ± 0.2	APPR BY	DATE	SERIES MATERIAL NUMBER CUSTOMER				
		DRAFT WHERE APPLICABLE MUST REMAIN WITHIN DIMENSIONS	TKUSUHARA01	2017/04/03					504622
			DRAWING SIZE	THIRD ANGLE PROJECTION	DOCUMENT NUMBER		DOC TYPE	DOC PART	SHEET NUMBER
			A3		5046221000		PSD	003	1 OF 2

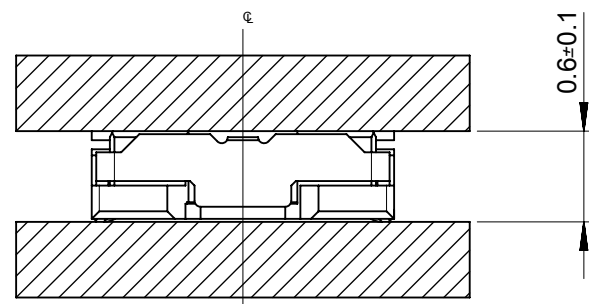


RECOMMENDED P.W.BOARD PATTERN LAYOUT(REFERENCE)



RECOMMENDED METAL MASK LAYOUT(REFERENCE)

RECOMMENDED THICKNESS OF METAL MASK : $t=0.08\text{mm}$
 RECOMMENDED OPEN APERTURE RATIO OF METAL MASK : 80%



MATED CONDITION

THIS DRAWING CONTAINS INFORMATION THAT IS PROPRIETARY TO MOLEX ELECTRONIC TECHNOLOGIES, LLC AND SHOULD NOT BE USED WITHOUT WRITTEN PERMISSION

EC NO: 115186 DRWN: TNISHIDA02 CHK'D: KTANAKA03 APPR: TKUSUHARA01	2017/03/29 2017/03/31 2017/04/03	GENERAL TOLERANCES (UNLESS SPECIFIED) ANGULAR TOL $\pm 1.0^\circ$	DIMENSION UNITS: MM SCALE: 20:1			
	4 PLACES ± 0.2 3 PLACES ± 0.2 2 PLACES ± 0.2 1 PLACE ± 0.2 0 PLACES ± 0.2	DRWN BY: TNISHIDA02 DATE: 2017/03/29	PRODUCT CUSTOMER DRAWING			
	DRAFT WHERE APPLICABLE MUST REMAIN WITHIN DIMENSIONS	APPR BY: TKUSUHARA01 DATE: 2017/04/03	DRAWING SIZE: A3 THIRD ANGLE PROJECTION	SERIES: 504622 MATERIAL NUMBER: SEE CHART CUSTOMER: GENERAL		
	RELEASED	EC NO: 115186 DRWN: TNISHIDA02 CHK'D: KTANAKA03 APPR: TKUSUHARA01	DIMENSION UNITS: MM SCALE: 20:1	DRWN BY: TNISHIDA02 DATE: 2017/03/29	PRODUCT CUSTOMER DRAWING	
	A	EC NO: 115186 DRWN: TNISHIDA02 CHK'D: KTANAKA03 APPR: TKUSUHARA01	DIMENSION UNITS: MM SCALE: 20:1	DRWN BY: TNISHIDA02 DATE: 2017/03/29	PRODUCT CUSTOMER DRAWING	