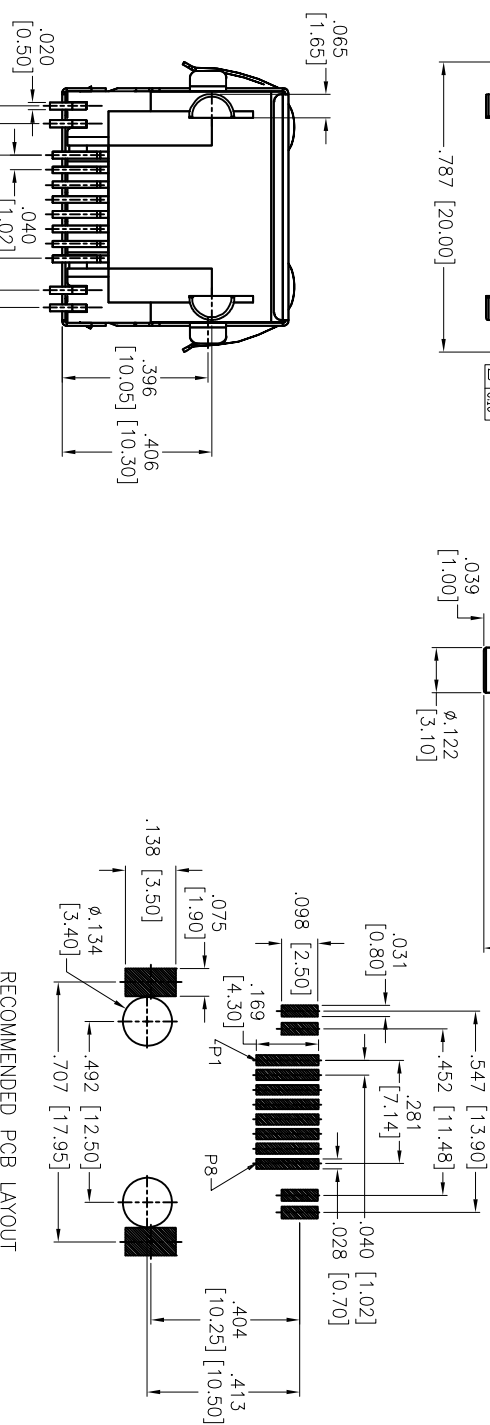
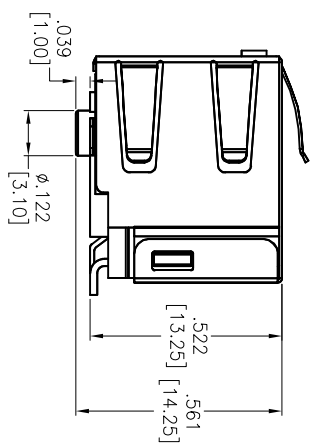
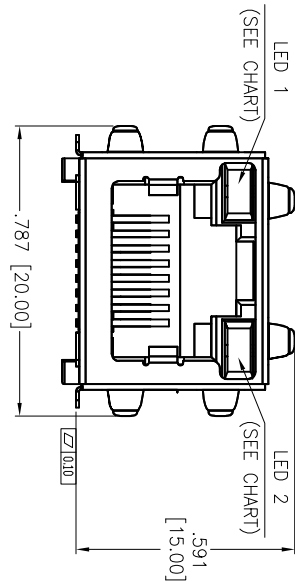
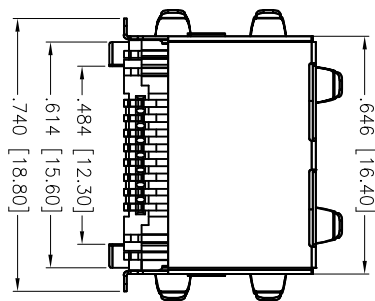


Rev	AWO #	Description	Date	Appr
-		RELEASED	7/13/16	

APPROVED: \_\_\_\_\_  
 DATE: \_\_\_\_\_ TITLE: \_\_\_\_\_



RECOMMENDED PCB LAYOUT

Part Number	LED 1 Color	LED 2 Color
MTJ-88ARX1-FS-SMT-PG-LD	Green	Green
MTJ-88ARX1-FS-SMT-PG-LG	Yellow	Green
MTJ-88ARX1-FS-SMT-PG-LH	Green	Yellow
MTJ-88ARX1-FS-SMT-PG-LP	Yellow/Green	Yellow/Green
MTJ-88ARX1-FS-SMT-PG-LV	Green	Yellow/Green
MTJ-88ARX1-FS-SMT-PG-L16	Green/Yellow	Green/Yellow

**SPECIFICATIONS:**  
 Material:  
 Insulator: Hi-Temp Thermoplastic, rated UL 94V-0  
 Insulator color: Black  
 Contacts: Phosphor Bronze  
 Shield: Brass  
 Plating:  
 Round contact  
 Gold over Nickel underplate overall  
 Flat contact  
 Gold over Nickel underplate on contact area,  
 Matte Tin over Nickel underplate on solder tails  
 (See chart for thickness)

**Electrical:**  
 Voltage rating: 125 VAC RMS  
 Current rating: 1.5 AMP  
 Contact Resistance: 20 mohms max  
 Insulation resistance: 500 Mohms min @ 500 VDC  
 Dielectric withstanding voltage: 1,000 VAC or 1,500 VDC for 1 minute  
 Temperature Rating:  
 Operating temperature: -40°C to +85°C  
 Environmental:  
 Lead free, RoHS compliant.



**ADAM TECH**

909 Railway Avenue, Union, NJ 07083  
 Phone: 908-687-5000 Fax: 908-687-5710

MODULAR TELEPHONE JACK, 8P8C, RIGHT ANGLE,  
 SMT, SHIELDED, w/LED'S

UNLESS OTHERWISE SPECIFIED ALL DIMENSIONS ARE INCHES [MM]		TITLE	
TOLERANCES: EXCEPT AS NOTED	INCHES	MODULAR TELEPHONE JACK, 8P8C, RIGHT ANGLE, SMT, SHIELDED, w/LED'S	
.X ± .10	ØXX ± .10	SIZE	PART NO.
.XX ± .020	ØXXX ± .015	X	MTJ-88ARX1-FS-SMT-PG-LX
.XXX ± .015	ØXXX ± .010	REF:	SCALE: NTS
APPROVALS	DATE	REV.	SHEET 1 OF 1
DRAWN	HR	7/13/16	
CHECKED	MW	7/13/16	
APPROVED			